

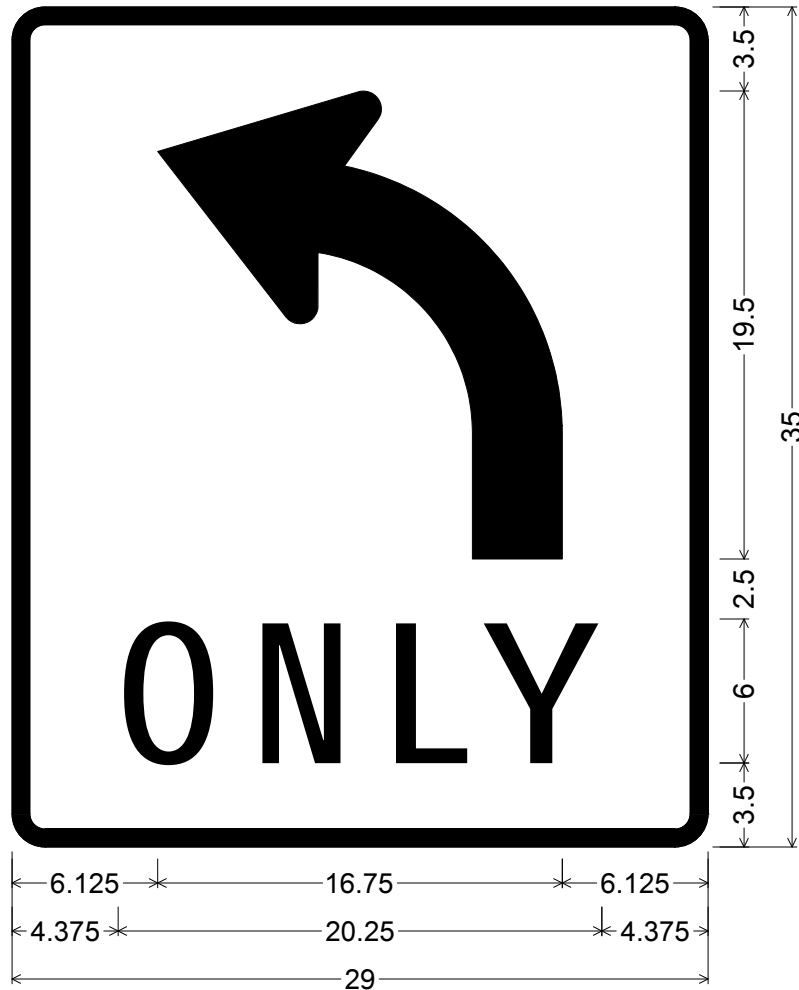
R3-9i
END REVERSE LANE

*Insert R3-5.
**Series 2000 Standard Alphabets.

COLORS: LEGEND — BLACK
BACKGROUND — WHITE (RETROREFLECTIVE)

CODE: R3-5L (for R3-9i)

SIZE: 29" x 35"



R3-5L (for R3-9i);
1.375" Radius, 0.750" Border, Black on White;
Arrow-Left-3.75" Stroke; "ONLY" D;

ALL DIMENSIONS ARE IN INCHES



COLORS:

ARROW, LEGEND & BORDER - BLACK (NON-REFL)
BACKGROUND - WHITE (REFL)

ARIZONA DEPARTMENT OF TRANSPORTATION
TRAFFIC ENGINEERING GROUP

DRAWN:

L. LOPEZ

DATE:

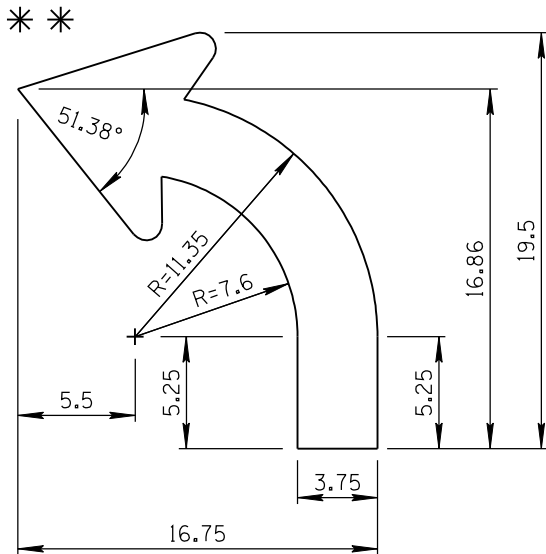
SEPTEMBER / 2012

APPROVED:

SIGNATURE ON FILE

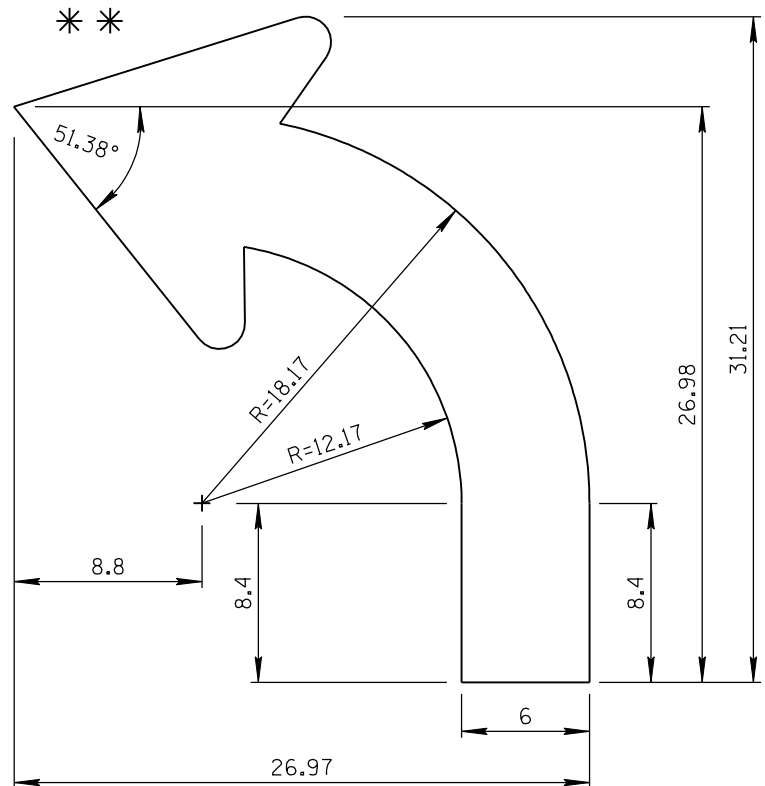
CODE: R3-5L
R3-5R

ARROW
DETAILS



3.75" Stroke
R3-5L
(30"x36")

Mirror for
R3-5R



6" Stroke
R3-5L
(48"x60")

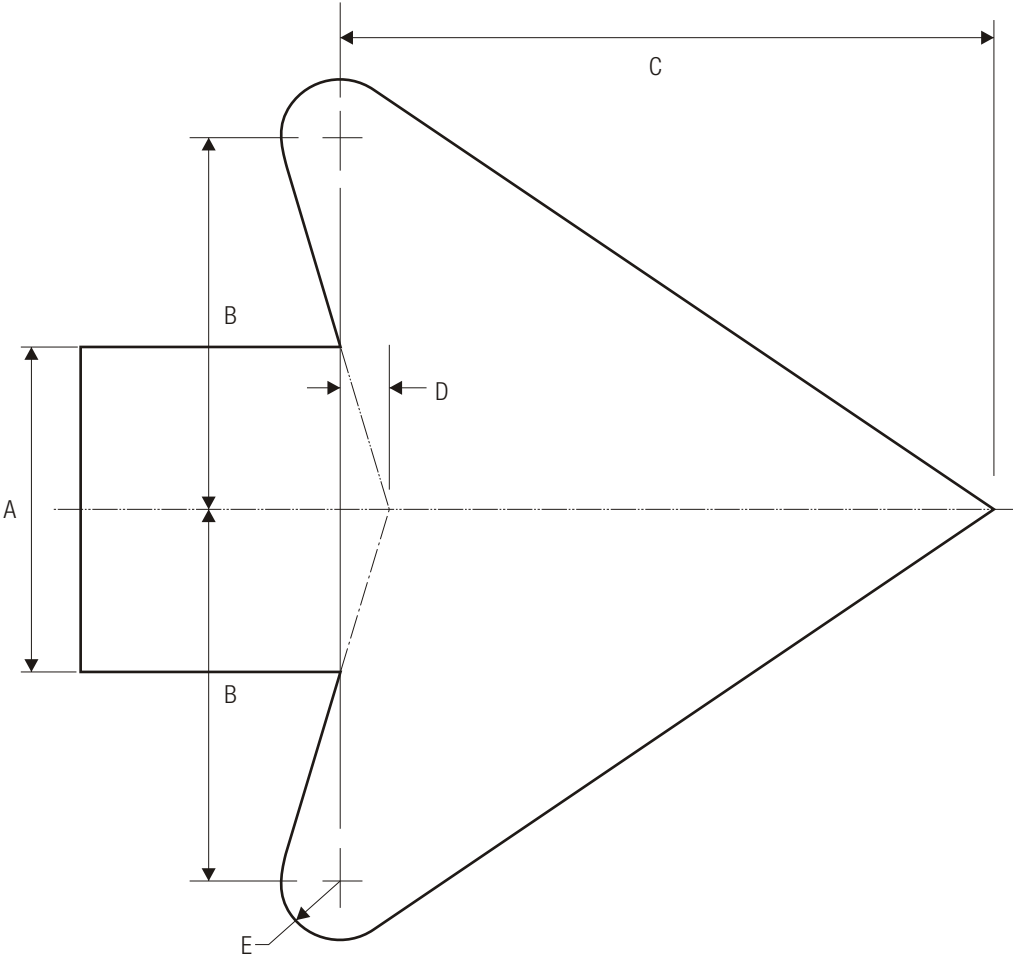
Mirror for
R3-5R

** For arrowhead dimensions, see
FHWA Standard Arrow Details.

All dimensions are in inches. Length
and width dimensions can be rounded
to the nearest 1/8 inch.

ARIZONA DEPARTMENT OF TRANSPORTATION TRAFFIC ENGINEERING GROUP	
DRAWN: L. LOPEZ	DATE: MAY/2013

STANDARD ARROW DETAILS



A	B	C	D	E
2	2.313	4.063	.313	.375
2.25	2.625	4.5	.375	.438
2.5	2.875	5.063	.375	.5
2.625	3	5.25	.375	.5
2.75	3	5.563	.438	.563
3	3.5	6.125	.438	.563
3.125	3.625	6.375	.5	.625
3.25	3.75	6.625	.5	.625
3.313	3.813	6.688	.5	.688
3.5	4	7.125	.563	.688
3.75	4.313	7.625	.563	.75
4	4.625	8.125	.625	.813
4.063	4.75	8.25	.625	.813
4.25	4.875	8.625	.625	.813
4.375	5	8.875	.688	.875
4.5	5.188	9.125	.688	.875

A	B	C	D	E
4.75	5.438	9.625	.75	1
4.875	5.625	9.875	.75	1
5	5.75	10.125	.75	1
5.25	6	10.625	.813	1.063
5.5	6.375	11.125	.875	1.125
5.75	6.625	11.688	.875	1.125
6	6.875	12.188	.938	1.188
6.5	7.5	13.188	1	1.625
7	8	14.188	1.063	1.375
7.5	8.625	15.188	1.125	1.5
8	9.188	16.25	1.25	1.625