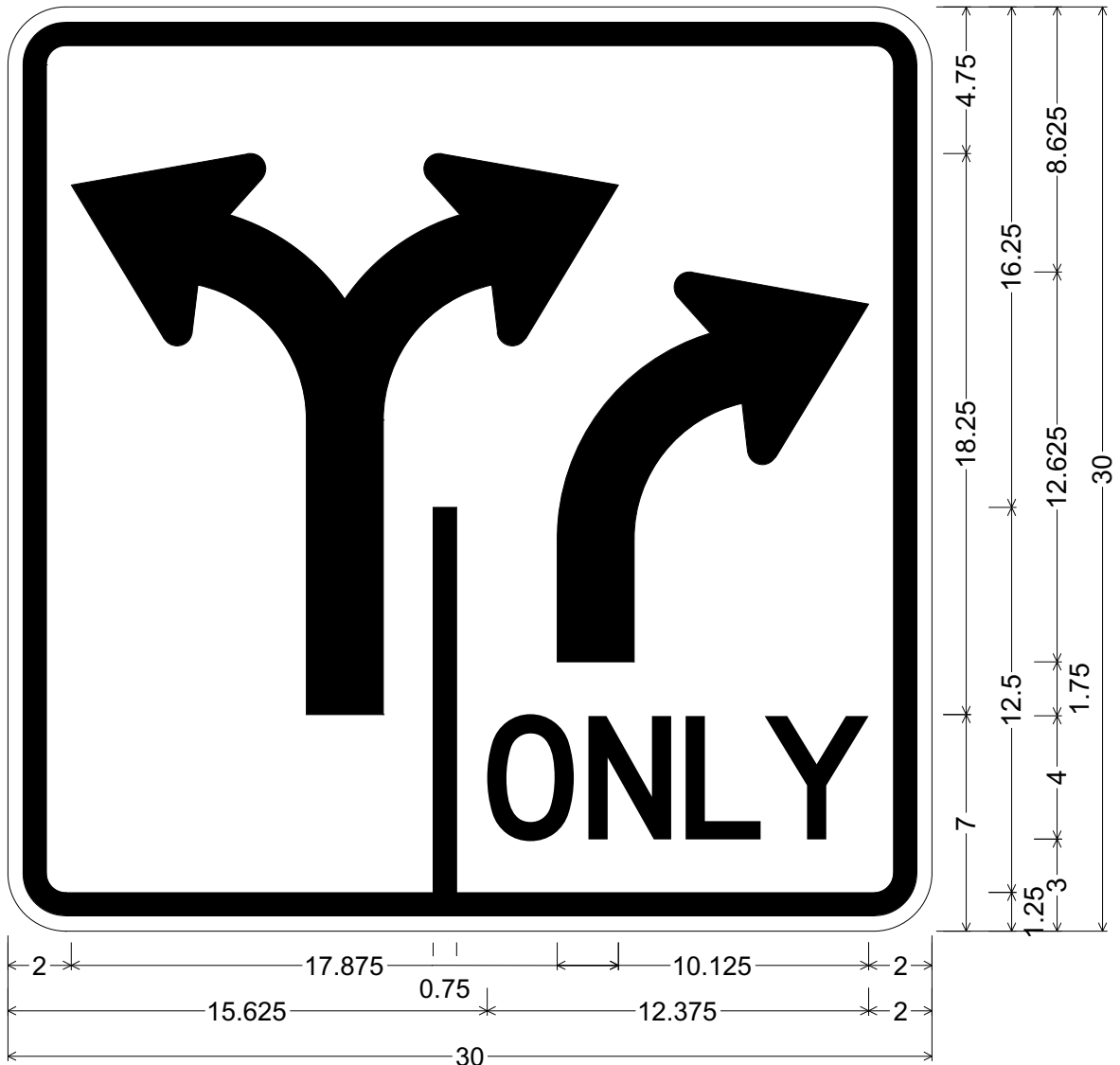


CODE: R3-8YR

SIZE: 30" x 30"
STANDARD



R03-08YR(30x30-STD)WHT;

1.875" Radius, 0.750" Border, 0.500" Indent, Black on White;

Y2 - Arrow, 2.5" Stroke; Divider, 0.75" Stroke; R - Arrow, 2.5" Stroke;

"ONLY" D specified length;

ALL DIMENSIONS ARE IN INCHES



COLORS:

ARROWS, LEGEND & BORDER - BLACK (NON-REFL)
BACKGROUND - WHITE (REFL)

ARIZONA DEPARTMENT OF TRANSPORTATION
TRAFFIC ENGINEERING GROUP

DRAWN:

L. LOPEZ

DATE:

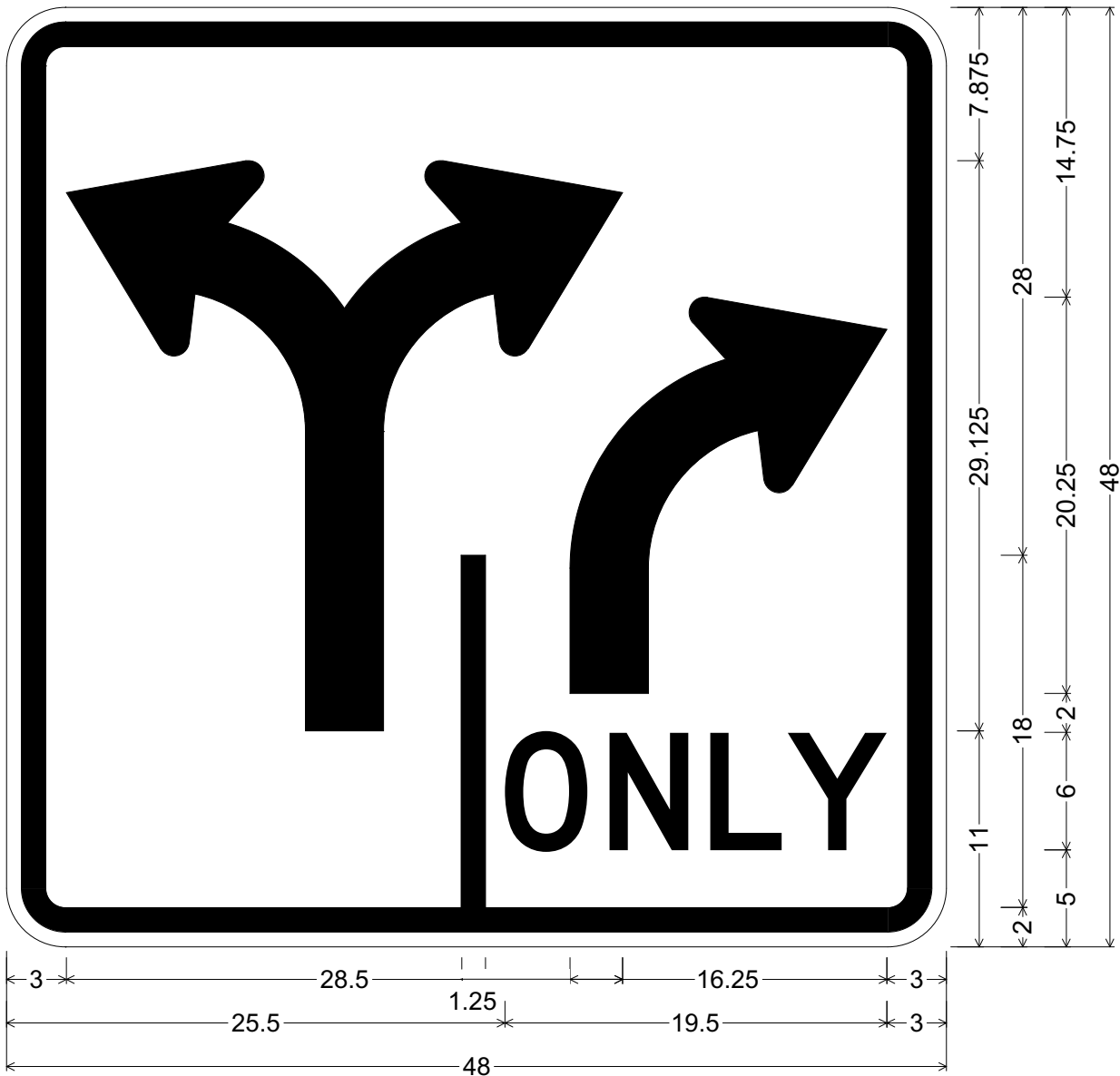
JULY / 2015

APPROVED:

SIGNATURE ON FILE

CODE: R3-8YR

SIZE: 48" x 48"
SPECIAL



R03-08YR(48x48-SPCL)WHT;

3.000" Radius, 1.250" Border, 0.750" Indent, Black on White;

Y2 - Arrow, 4" Stroke; Divider, 1.25" Stroke; R - Arrow, 4" Stroke;

"ONLY" D specified length;

ALL DIMENSIONS ARE IN INCHES



COLORS:

ARROWS, LEGEND & BORDER - BLACK (NON-REFL)
BACKGROUND - WHITE (REFL)

ARIZONA DEPARTMENT OF TRANSPORTATION
TRAFFIC ENGINEERING GROUP

DRAWN:

L. LOPEZ

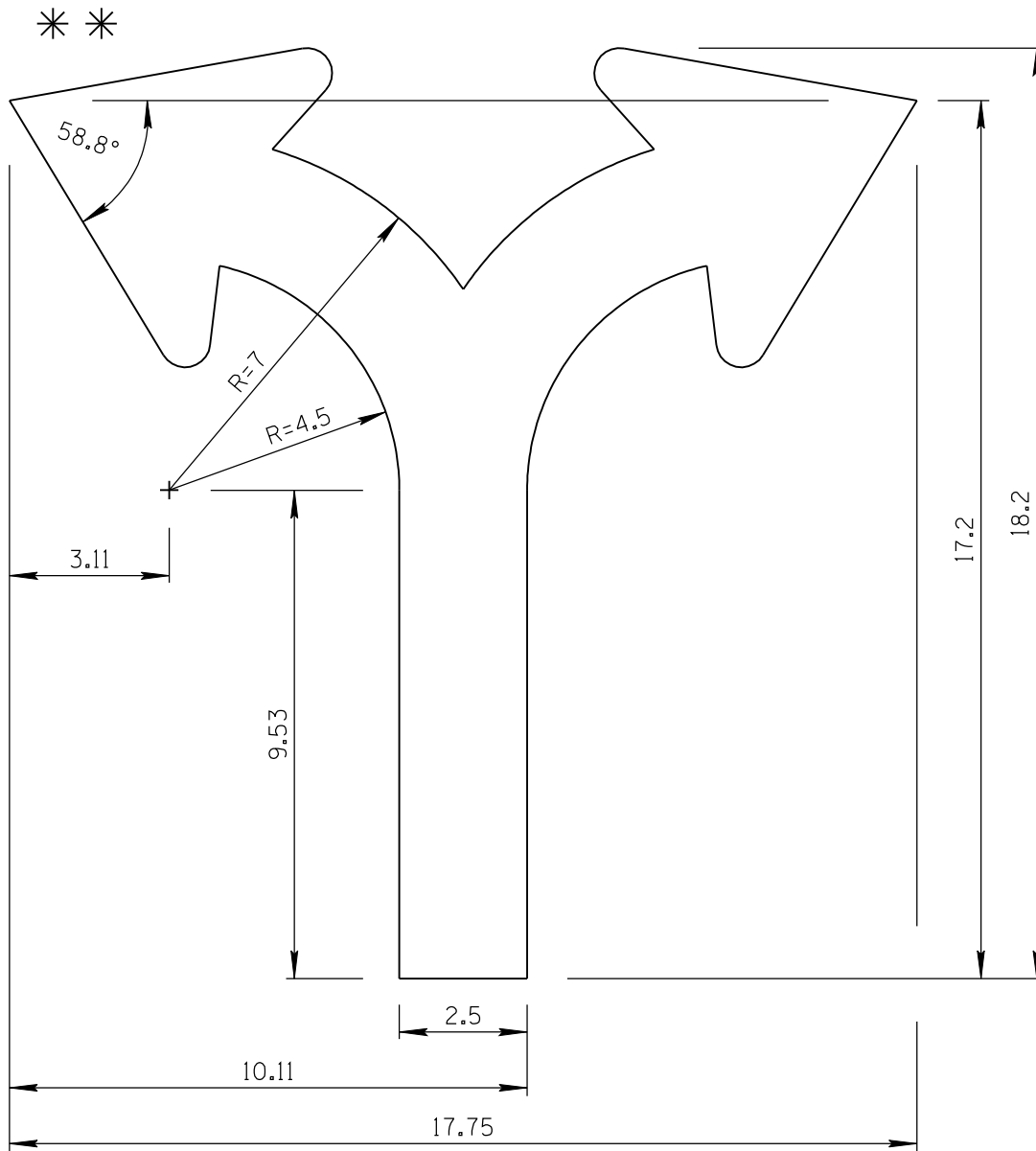
DATE:

JULY / 2015

APPROVED:

SIGNATURE ON FILE

ARROW CODE: Y2
2.5"
Stroke



2.5" Stroke

* * For arrowhead dimensions, see
ADOT STANDARD ARROW HEAD DETAILS.

All dimensions are in inches. Length
and width dimensions can be rounded
to the nearest 1/8 inch.

ARIZONA DEPARTMENT OF TRANSPORTATION
TRAFFIC ENGINEERING GROUP

DRAWN:

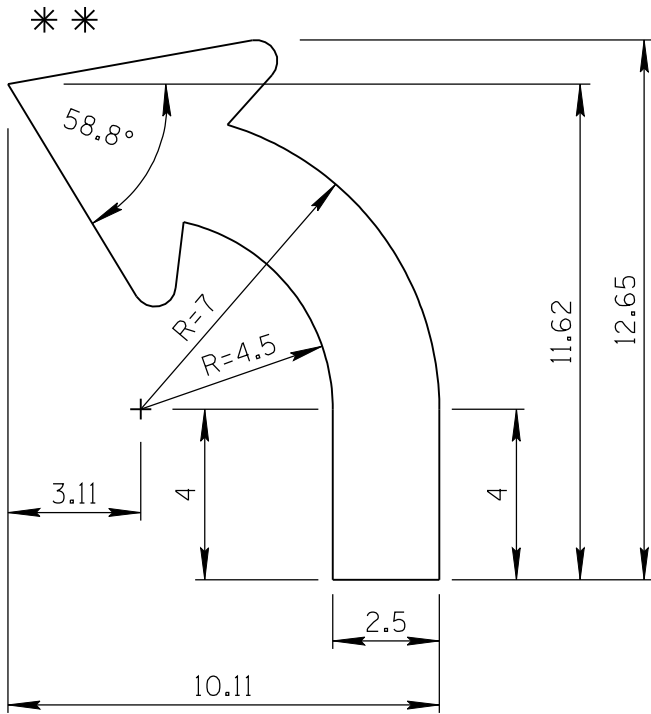
L. LOPEZ

DATE:

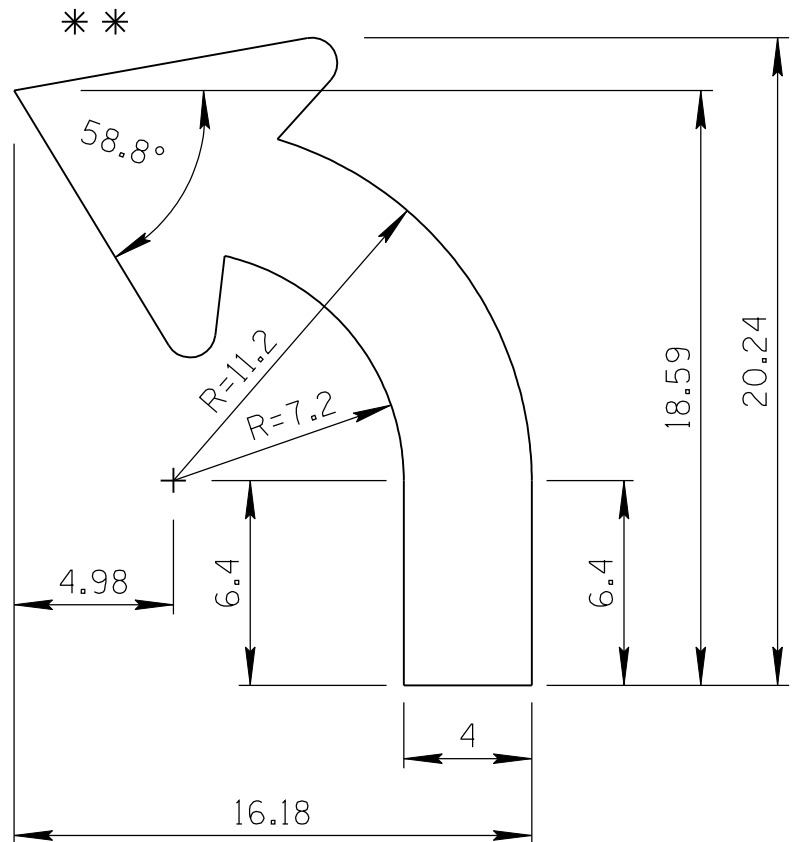
JULY/2015

ARROW CODE: L & R

Mirror for
R Arrow
2.5" & 4"
Stroke



2.5" Stroke



4" Stroke

** For arrowhead dimensions, see
ADOT STANDARD ARROW HEAD DETAILS.

All dimensions are in inches. Length
and width dimensions can be rounded
to the nearest 1/8 inch.

ARIZONA DEPARTMENT OF TRANSPORTATION
TRAFFIC ENGINEERING GROUP

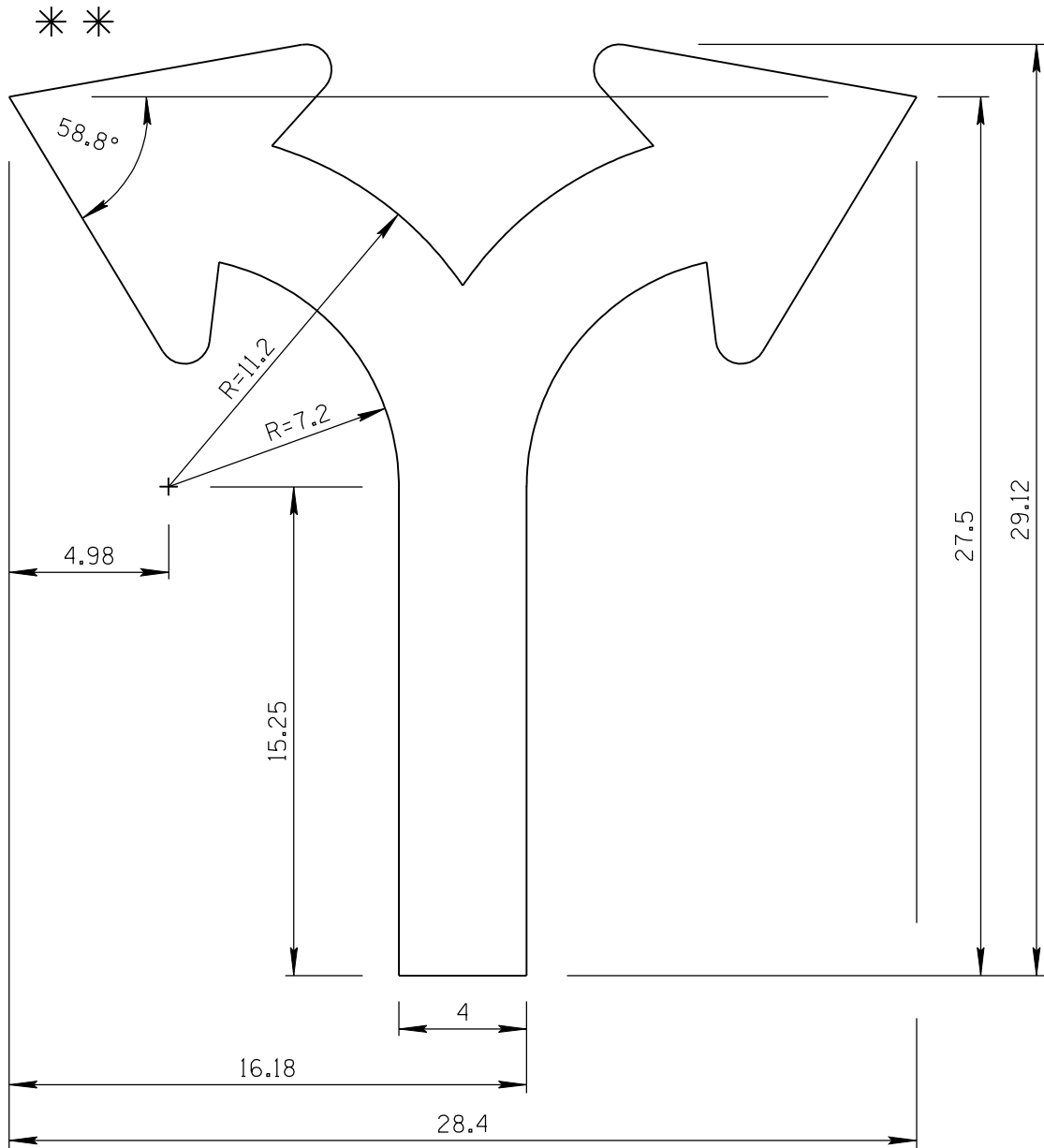
DRAWN:

L. LOPEZ

DATE:

JULY/2015

ARROW CODE: Y2
4"
Stroke



4" Stroke

** For arrowhead dimensions, see
ADOT STANDARD ARROW HEAD DETAILS.

All dimensions are in inches. Length
and width dimensions can be rounded
to the nearest $\frac{1}{8}$ inch.

ARIZONA DEPARTMENT OF TRANSPORTATION
TRAFFIC ENGINEERING GROUP

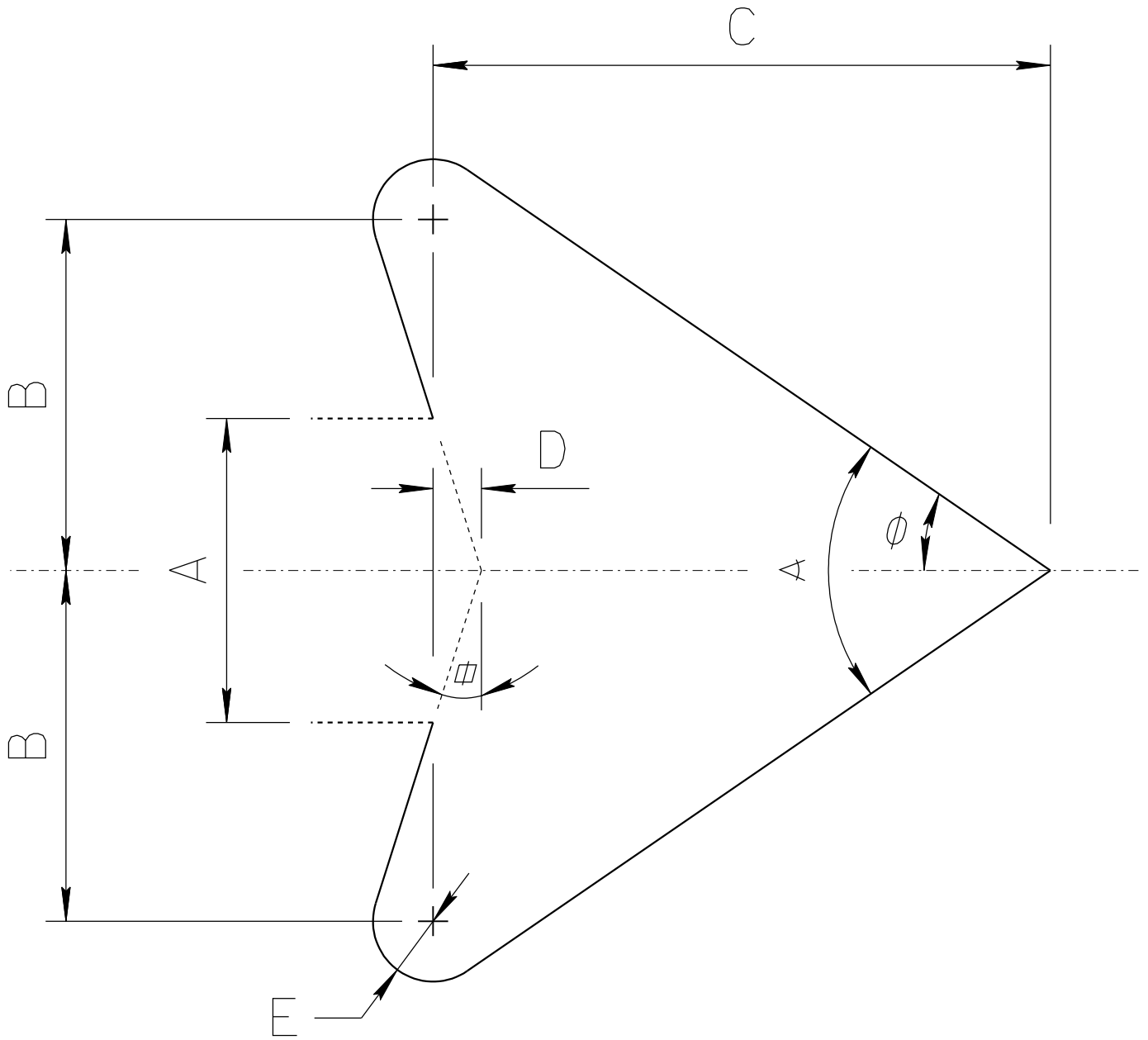
DRAWN:

L. LOPEZ

DATE:

JULY/2015

ADOT STANDARD ARROW HEAD DETAILS



$A = \text{Arrow Shaft Stroke Width}$

$B = 1.15 \times A$

$C = 2.025 \times A$

$D = 0.16169 \times A$

$E = 0.2 \times A$

$\alpha = 17.92^\circ$

$\phi = 34.519^\circ$

$\sphericalangle = 68.038^\circ$

ARIZONA DEPARTMENT OF TRANSPORTATION
TRAFFIC ENGINEERING GROUP

DRAWN:

L. LOPEZ

DATE:

JULY/2015