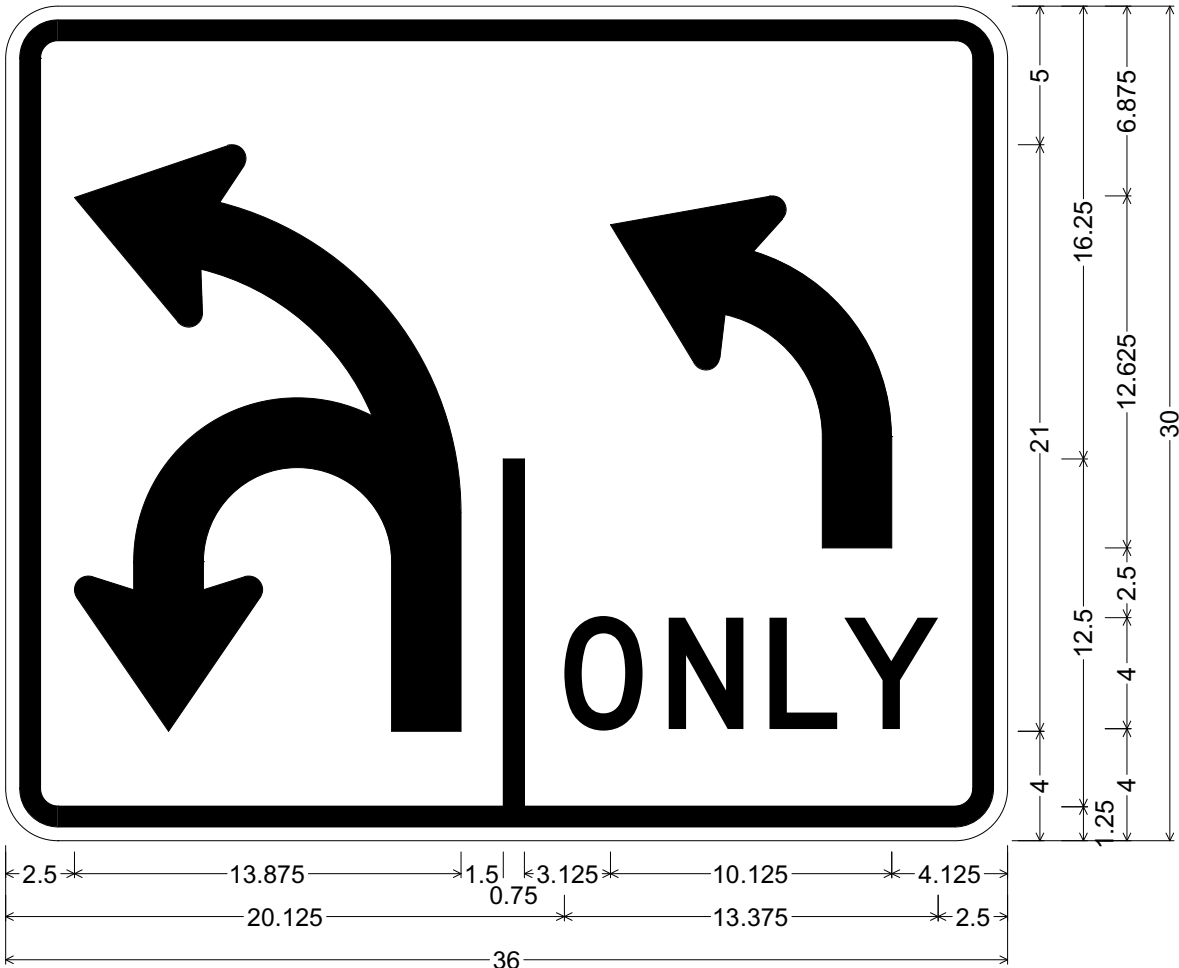



CODE: R3-8TL  
 SIZE: 36" x 30"  
 STANDARD



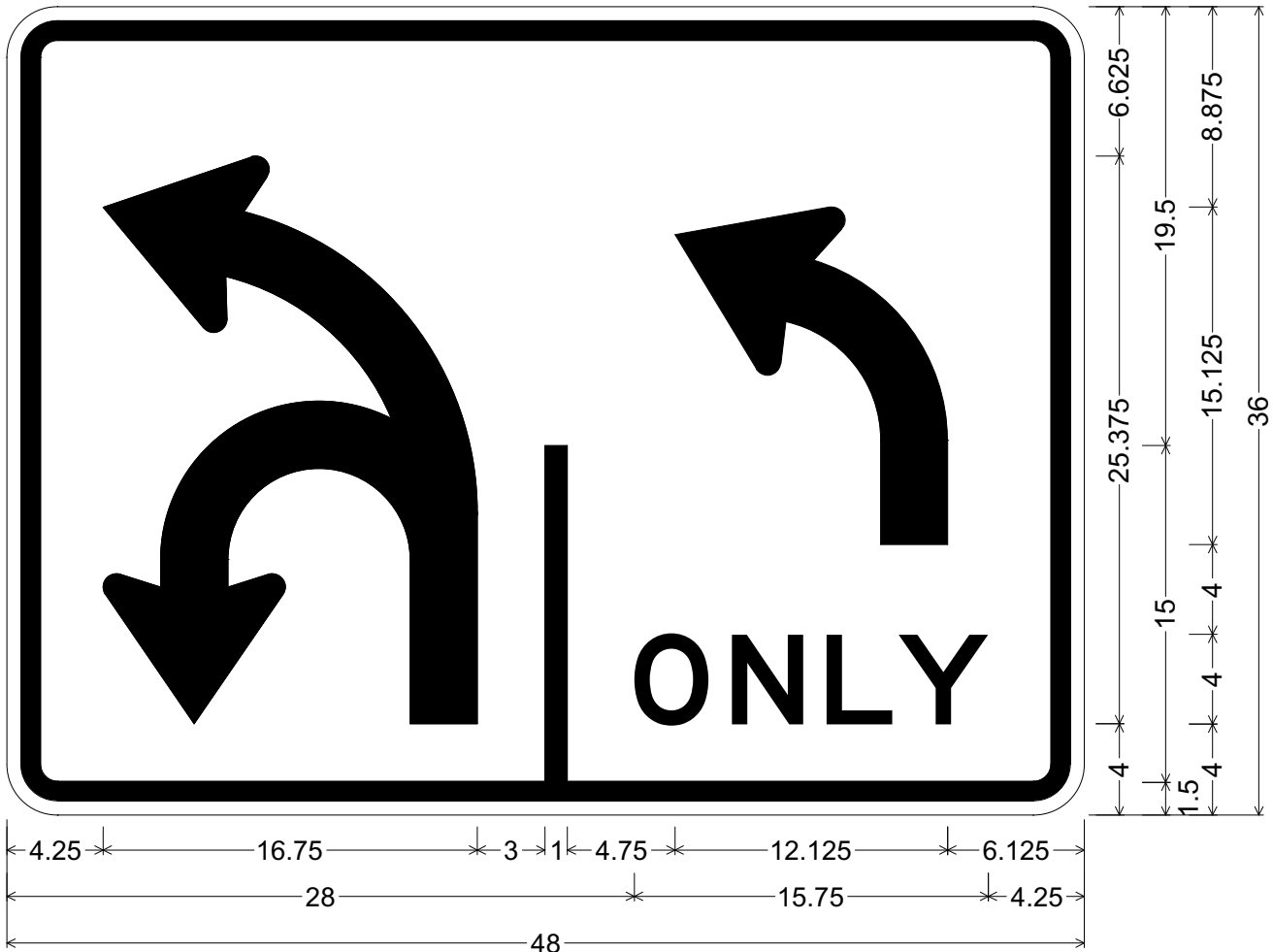
R03-08TL(36x30-STD)WHT;  
 1.875" Radius, 0.750" Border, 0.500" Indent, Black on White;  
 T - Arrow, 2.5" Stroke; Divider, 0.75" Stroke; L - Arrow, 2.5" Stroke; "ONLY" D;

ALL DIMENSIONS ARE IN INCHES

	<p><b>COLORS:</b></p> <p>ARROWS, LEGEND &amp; BORDER - BLACK (NON-REFL)          BACKGROUND - WHITE (REFL)</p>	ARIZONA DEPARTMENT OF TRANSPORTATION TRAFFIC ENGINEERING GROUP	
		DRAWN: L. LOPEZ	DATE: JULY / 2015
		APPROVED: SIGNATURE ON FILE	

CODE: R3-8TL

SIZE: 48" x 36"  
SPECIAL



R03-08TL(48x36-SPCL)WHT;

2.250" Radius, 0.875" Border, 0.625" Indent, Black on White;

T - Arrow, 3" Stroke; Divider, 1" Stroke; L - Arrow, 3" Stroke; "ONLY" E;

ALL DIMENSIONS ARE IN INCHES



**COLORS:**

ARROWS, LEGEND & BORDER - BLACK (NON-REFL)  
BACKGROUND - WHITE (REFL)

ARIZONA DEPARTMENT OF TRANSPORTATION  
TRAFFIC ENGINEERING GROUP

DRAWN:

L. LOPEZ

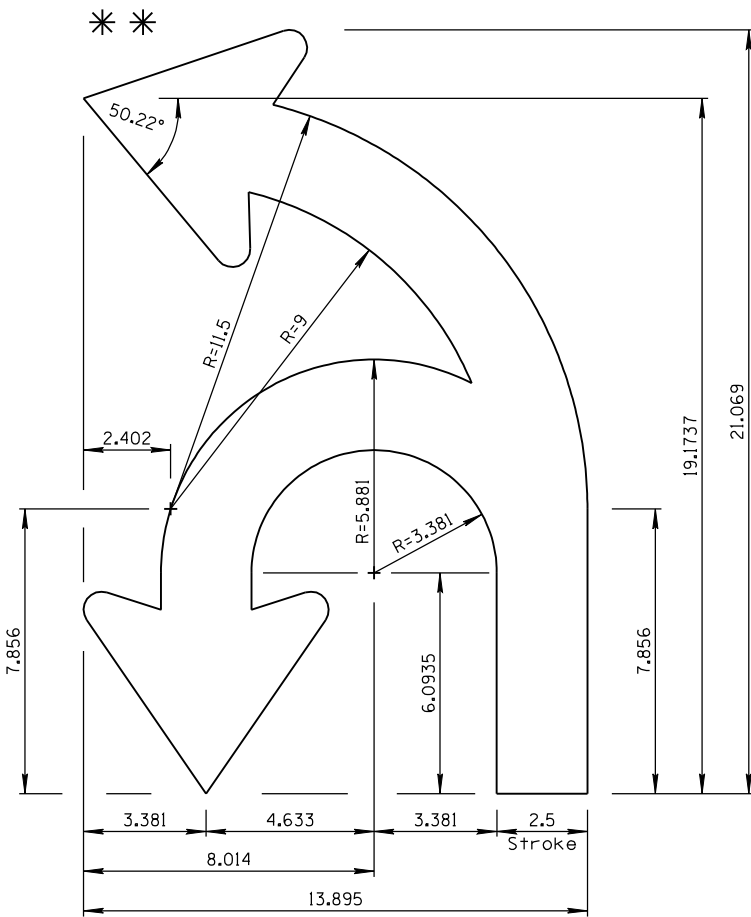
DATE:

JULY / 2015

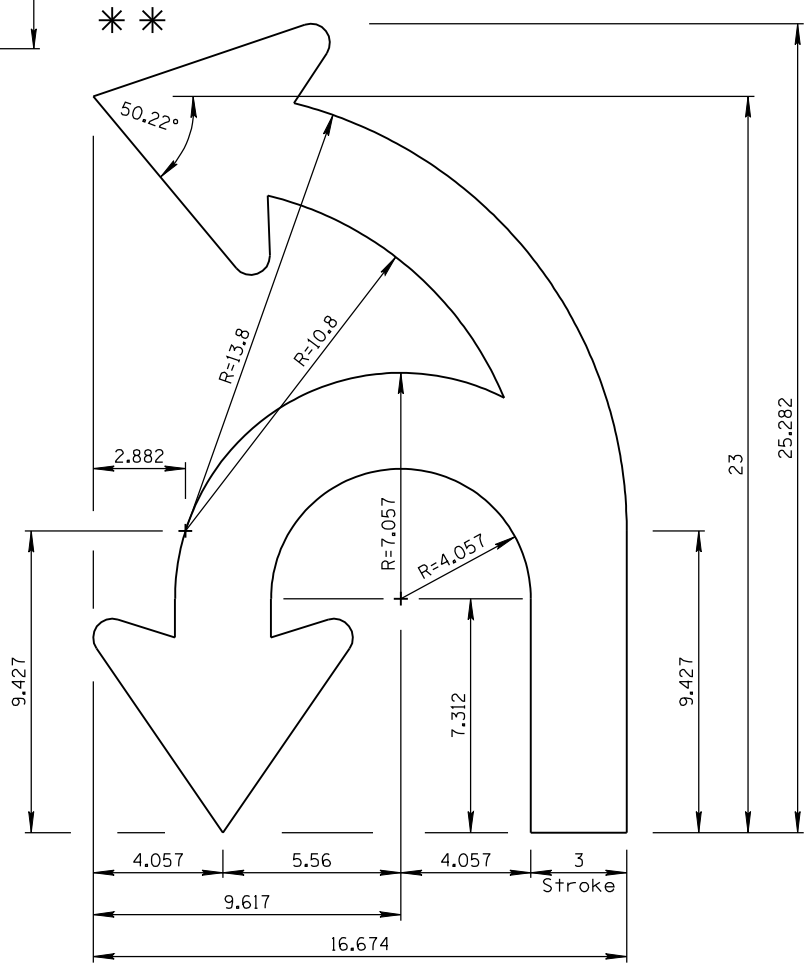
APPROVED:

SIGNATURE ON FILE

ARROW CODE: T  
 2.5" & 3"  
 Stroke



2.5" Stroke



3" Stroke

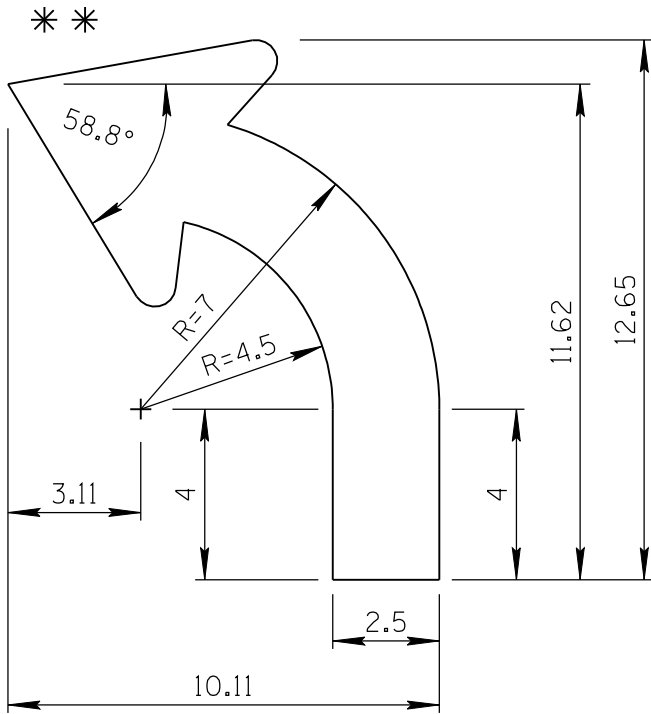
\*\* For arrowhead dimensions, see  
 ADOT STANDARD ARROW HEAD DETAILS.

All dimensions are in inches. Length  
 and width dimensions can be rounded  
 to the nearest 1/8 inch.

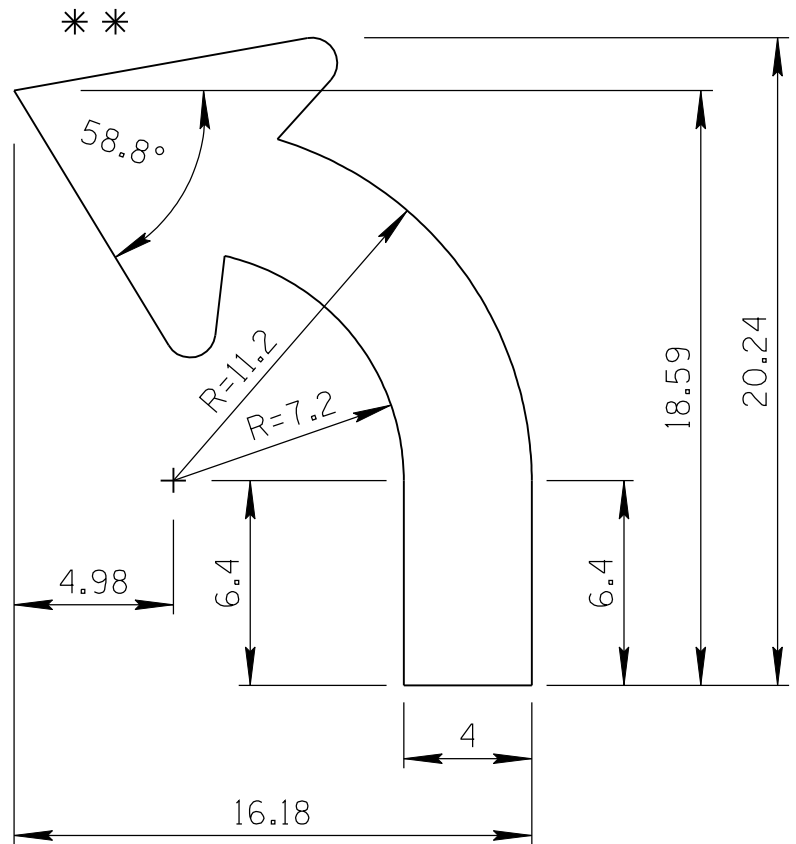
ARIZONA DEPARTMENT OF TRANSPORTATION TRAFFIC ENGINEERING GROUP	
DRAWN: L. LOPEZ	DATE: JULY/2015

ARROW CODE: L & R

Mirror for  
R Arrow  
2.5" & 4"  
Stroke



2.5" Stroke



4" Stroke

\*\* For arrowhead dimensions, see  
ADOT STANDARD ARROW HEAD DETAILS.

All dimensions are in inches. Length  
and width dimensions can be rounded  
to the nearest 1/8 inch.

ARIZONA DEPARTMENT OF TRANSPORTATION  
TRAFFIC ENGINEERING GROUP

DRAWN:

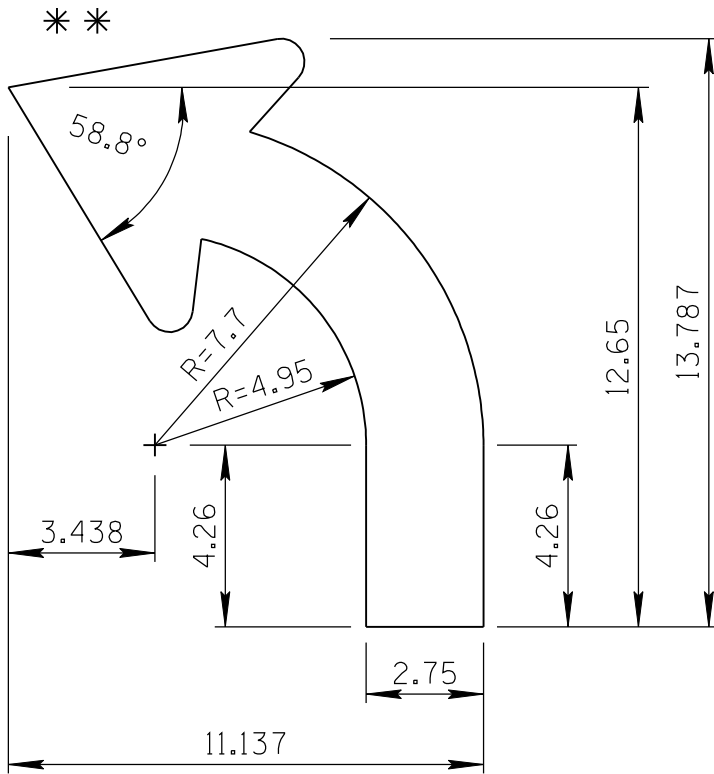
L. LOPEZ

DATE:

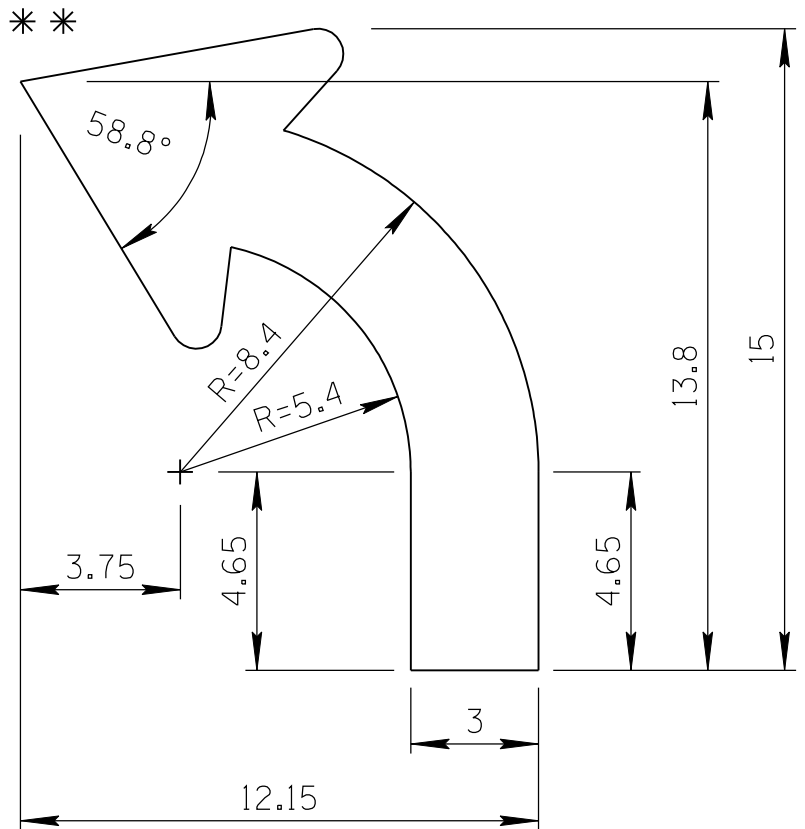
JULY/2015

ARROW CODE: L & R

Mirror for  
R Arrow  
2.75" & 3"  
Stroke



2.75" Stroke



3" Stroke

\*\* For arrowhead dimensions, see  
ADOT STANDARD ARROW HEAD DETAILS.

All dimensions are in inches. Length  
and width dimensions can be rounded  
to the nearest 1/8 inch.

ARIZONA DEPARTMENT OF TRANSPORTATION  
TRAFFIC ENGINEERING GROUP

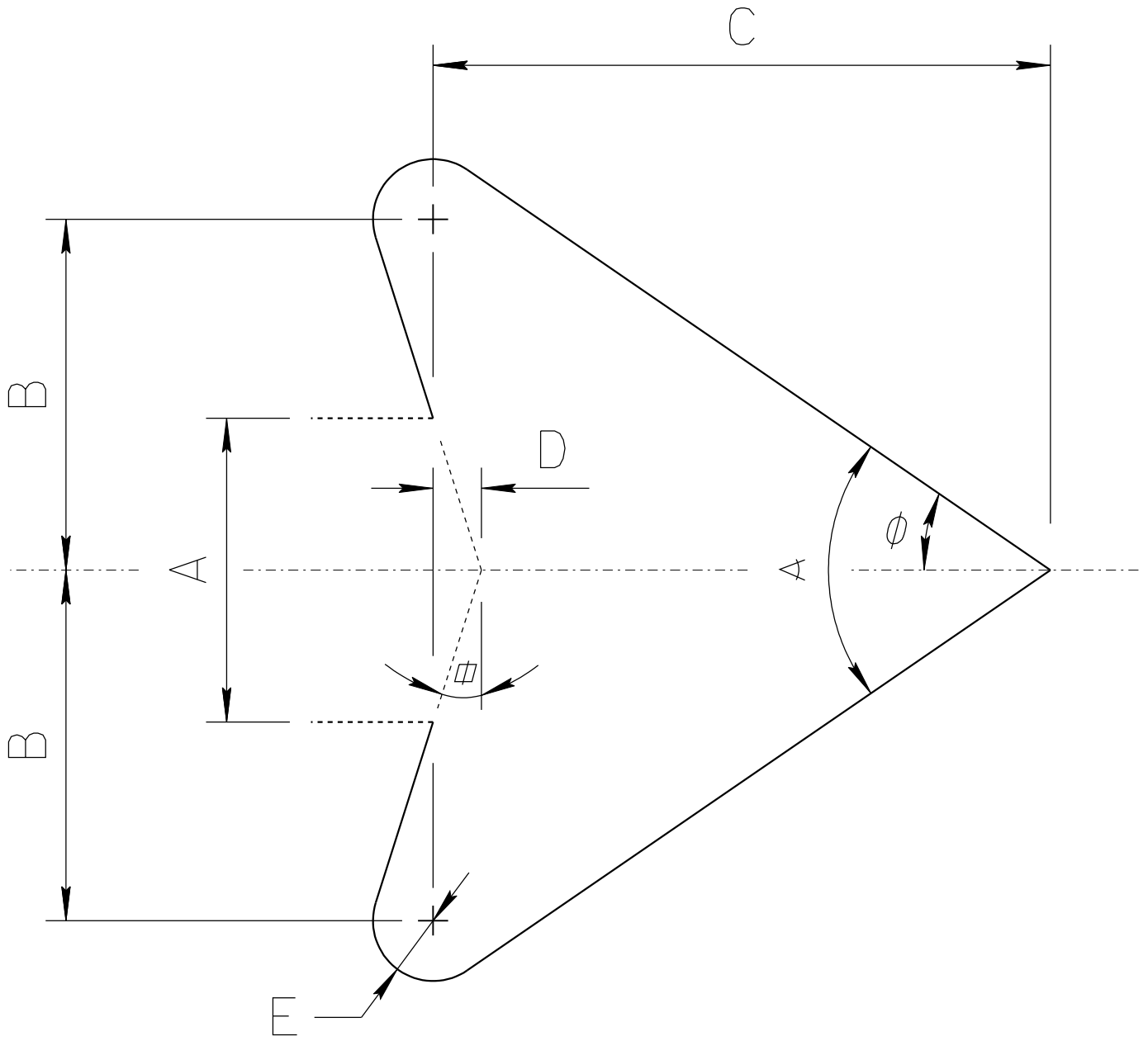
DRAWN:

L. LOPEZ

DATE:

JULY/2015

# ADOT STANDARD ARROW HEAD DETAILS



$A$  = Arrow Shaft Stroke Width

$B$  =  $1.15 \times A$

$C$  =  $2.025 \times A$

$D$  =  $0.16169 \times A$

$E$  =  $0.2 \times A$

$\alpha$  =  $17.92^\circ$

$\phi$  =  $34.519^\circ$

$\sphericalangle$  =  $68.038^\circ$

ARIZONA DEPARTMENT OF TRANSPORTATION  
TRAFFIC ENGINEERING GROUP

DRAWN:

L. LOPEZ

DATE:

JULY/2015