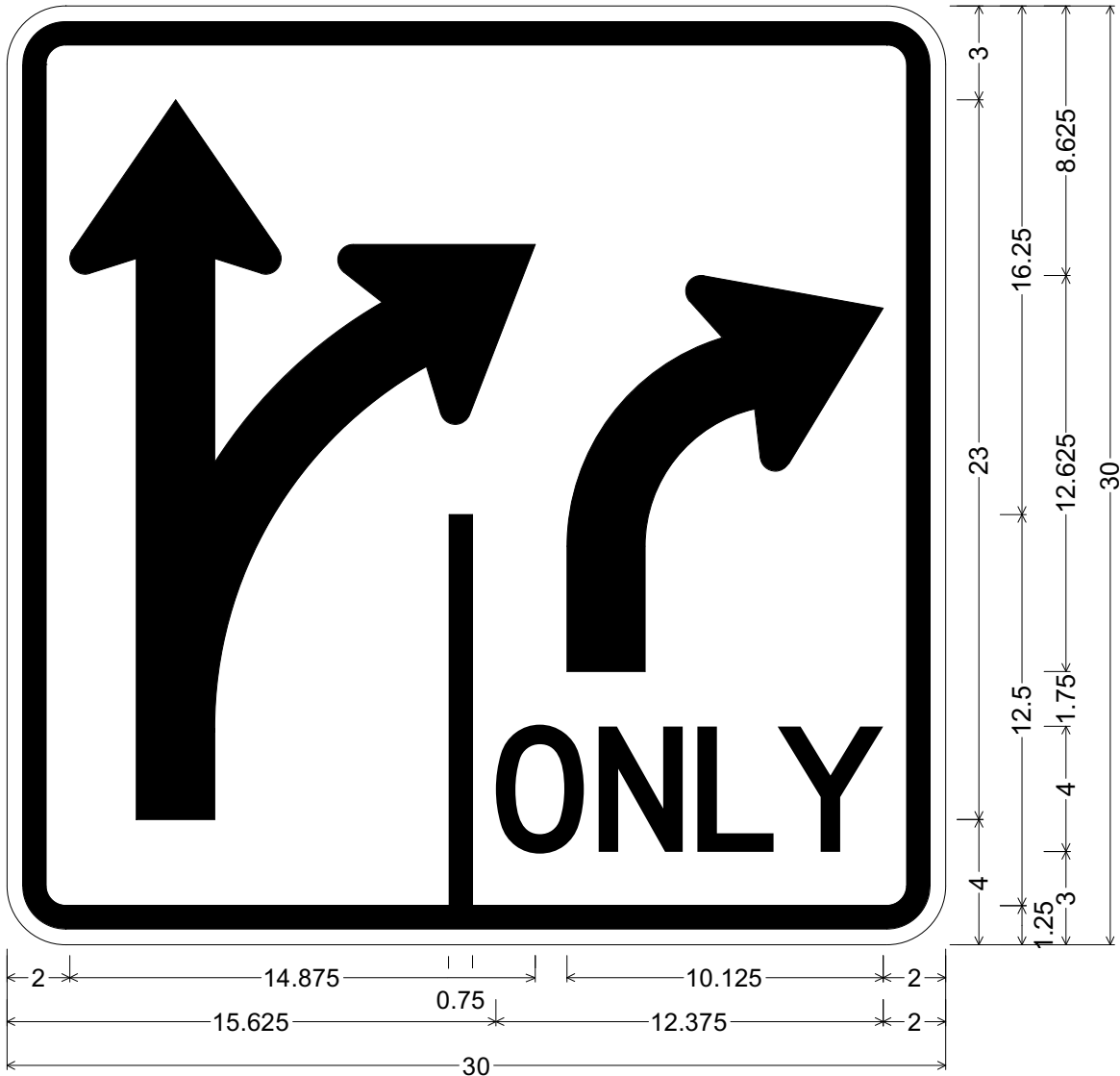


CODE: R3-8QR

SIZE: 30" x 30"  
STANDARD



R03-08QR(30x30-STD)WHT;  
1.875" Radius, 0.750" Border, 0.500" Indent, Black on White;  
Q2 - Arrow, 2.5" Stroke; Divider, 0.75" Stroke; R - Arrow, 2.5" Stroke;  
"ONLY" D specified length;

ALL DIMENSIONS ARE IN INCHES



**COLORS:**

ARROWS, LEGEND & BORDER - BLACK (NON-REFL)  
BACKGROUND - WHITE (REFL)

ARIZONA DEPARTMENT OF TRANSPORTATION  
TRAFFIC ENGINEERING GROUP

DRAWN:

L. LOPEZ

DATE:

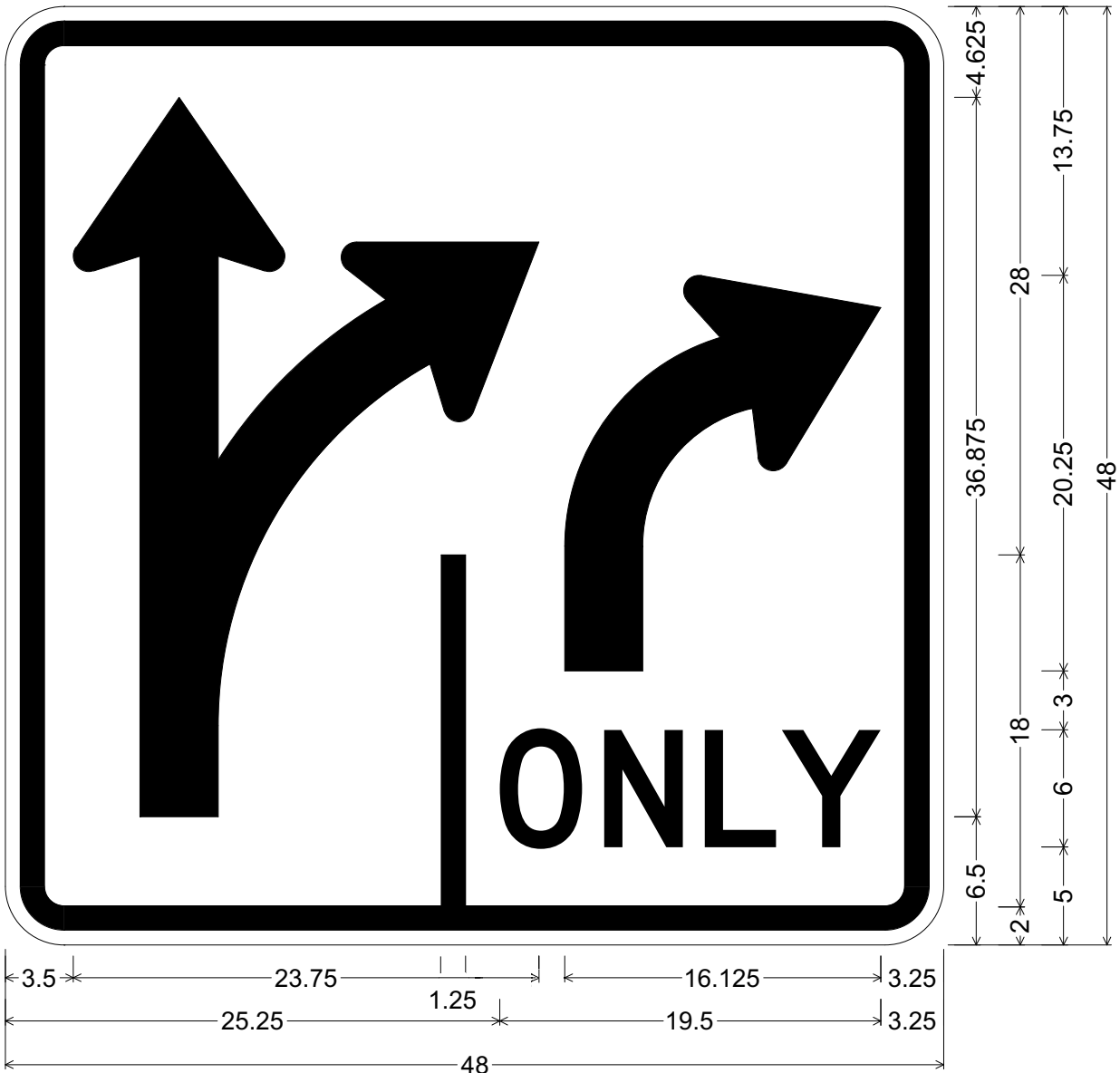
JULY / 2015

APPROVED:

SIGNATURE ON FILE

CODE: R3-8QR

SIZE: 48" x 48"  
SPECIAL



R03-08QR(48x48-SPCL)WHT;  
3.000" Radius, 1.250" Border, 0.750" Indent, Black on White;  
Q2 - Arrow, 4" Stroke; Divider, 1.25" Stroke; L - Arrow, 4" Stroke;  
"ONLY" D specified length;

ALL DIMENSIONS ARE IN INCHES



**COLORS:**  
ARROWS, LEGEND & BORDER - BLACK (NON-REFL)  
BACKGROUND - WHITE (REFL)

ARIZONA DEPARTMENT OF TRANSPORTATION  
TRAFFIC ENGINEERING GROUP

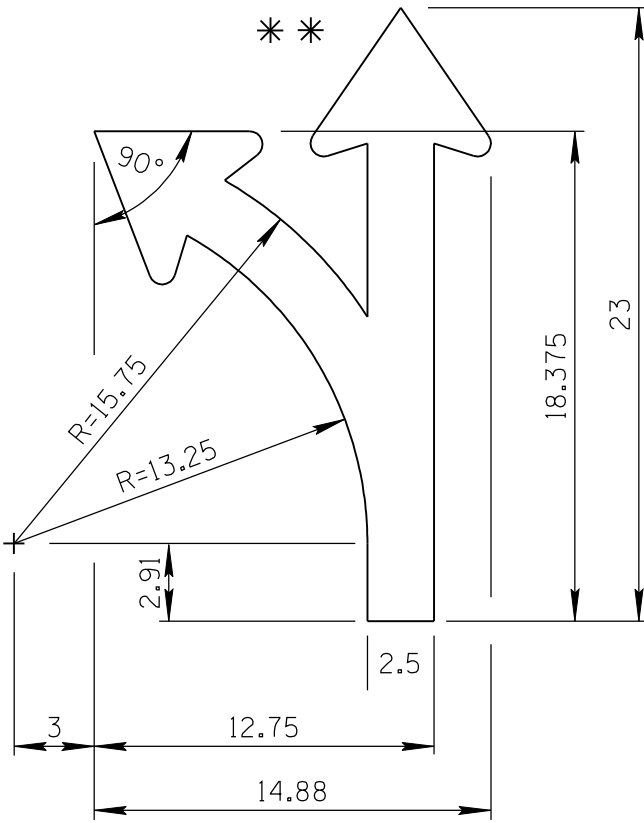
DRAWN:  
L. LOPEZ

DATE:  
JULY / 2015

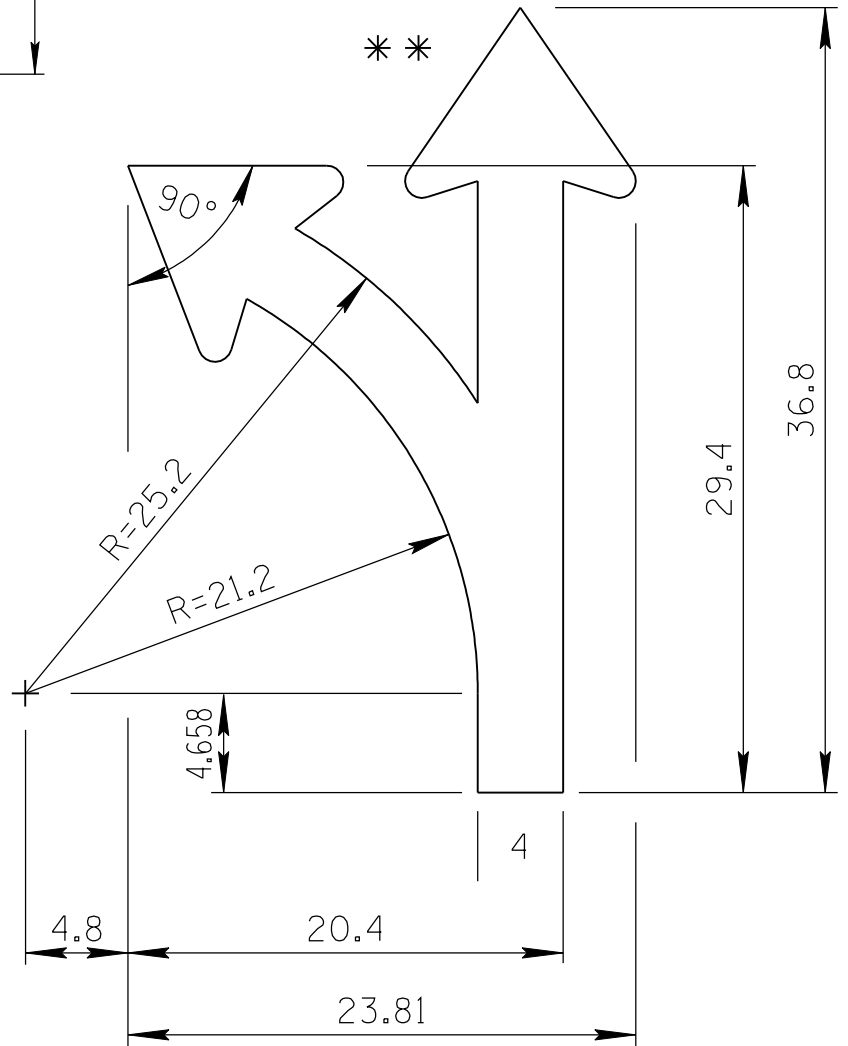
APPROVED:  
SIGNATURE ON FILE

ARROW CODE: K2 & Q2

Mirror for  
Q2 Arrow  
2.5" & 4"  
Stroke



2.5" Stroke



4" Stroke

\*\* For arrowhead dimensions, see  
ADOT STANDARD ARROW HEAD DETAILS.

All dimensions are in inches. Length  
and width dimensions can be rounded  
to the nearest 1/8 inch.

ARIZONA DEPARTMENT OF TRANSPORTATION  
TRAFFIC ENGINEERING GROUP

DRAWN:

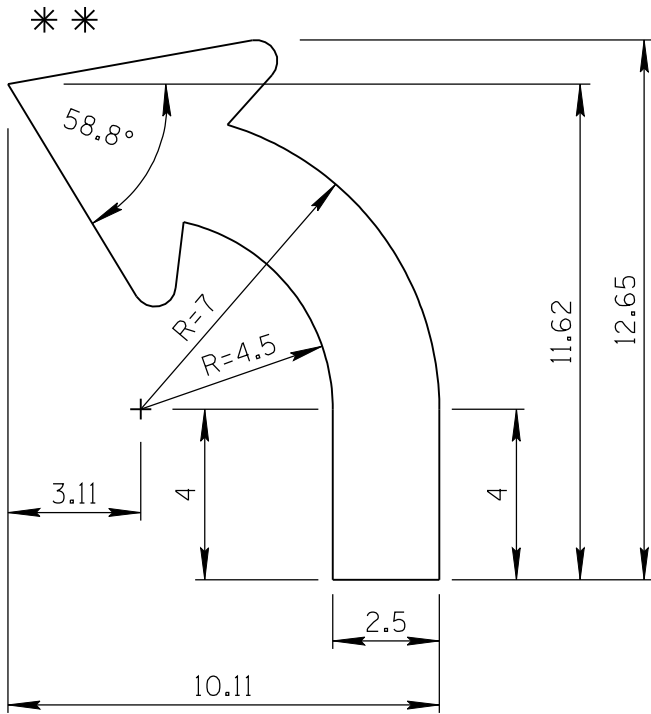
L. LOPEZ

DATE:

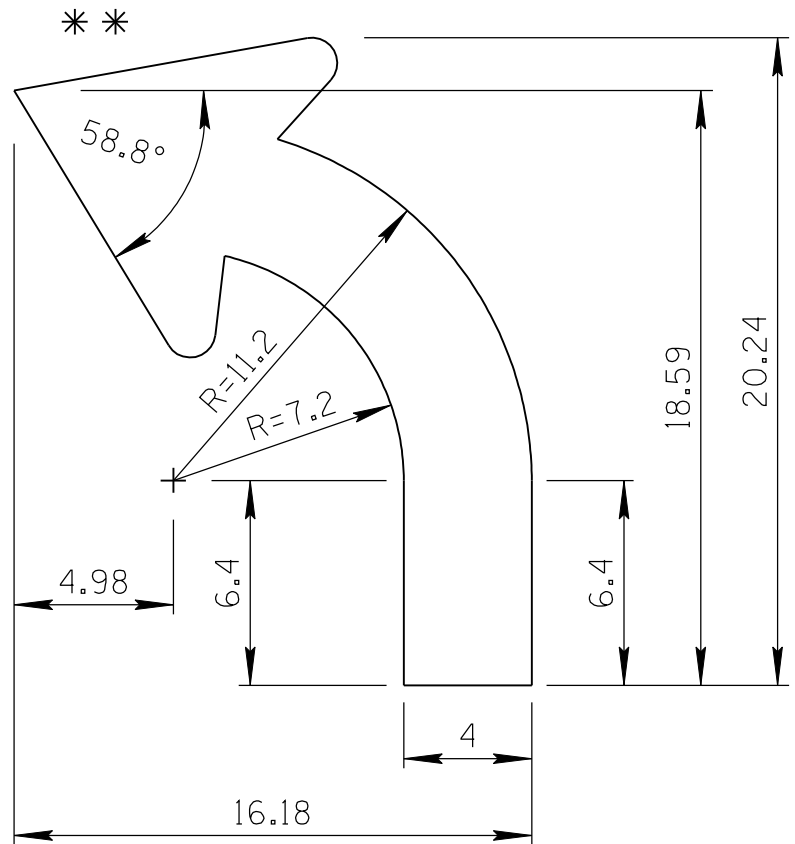
JULY/2015

ARROW CODE: L & R

Mirror for  
R Arrow  
2.5" & 4"  
Stroke



2.5" Stroke



4" Stroke

\*\* For arrowhead dimensions, see  
ADOT STANDARD ARROW HEAD DETAILS.

All dimensions are in inches. Length  
and width dimensions can be rounded  
to the nearest 1/8 inch.

ARIZONA DEPARTMENT OF TRANSPORTATION  
TRAFFIC ENGINEERING GROUP

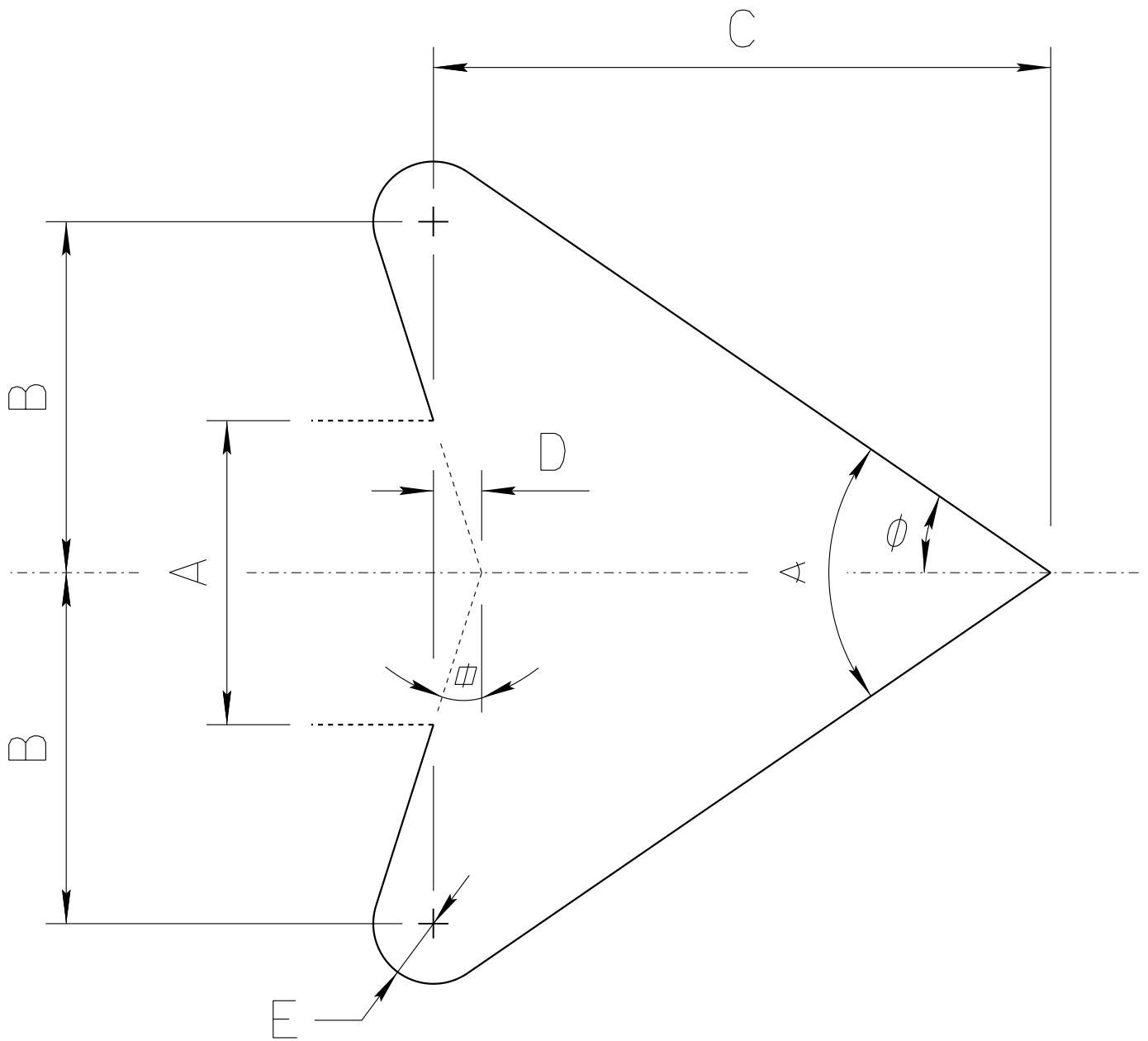
DRAWN:

L. LOPEZ

DATE:

JULY/2015

# ADOT STANDARD ARROW HEAD DETAILS



$A =$  Arrow Shaft Stroke Width

$B = 1.15 \times A$

$C = 2.025 \times A$

$D = 0.16169 \times A$

$E = 0.2 \times A$

$\alpha = 17.92^\circ$

$\phi = 34.519^\circ$

$\angle = 69.038^\circ$

ARIZONA DEPARTMENT OF TRANSPORTATION  
TRAFFIC ENGINEERING GROUP

DRAWN:

L. LOPEZ

DATE:

AUGUST/2019