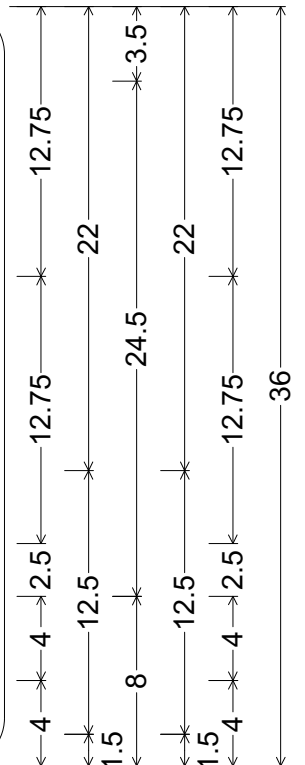
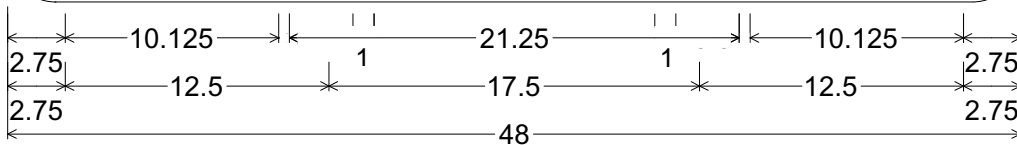
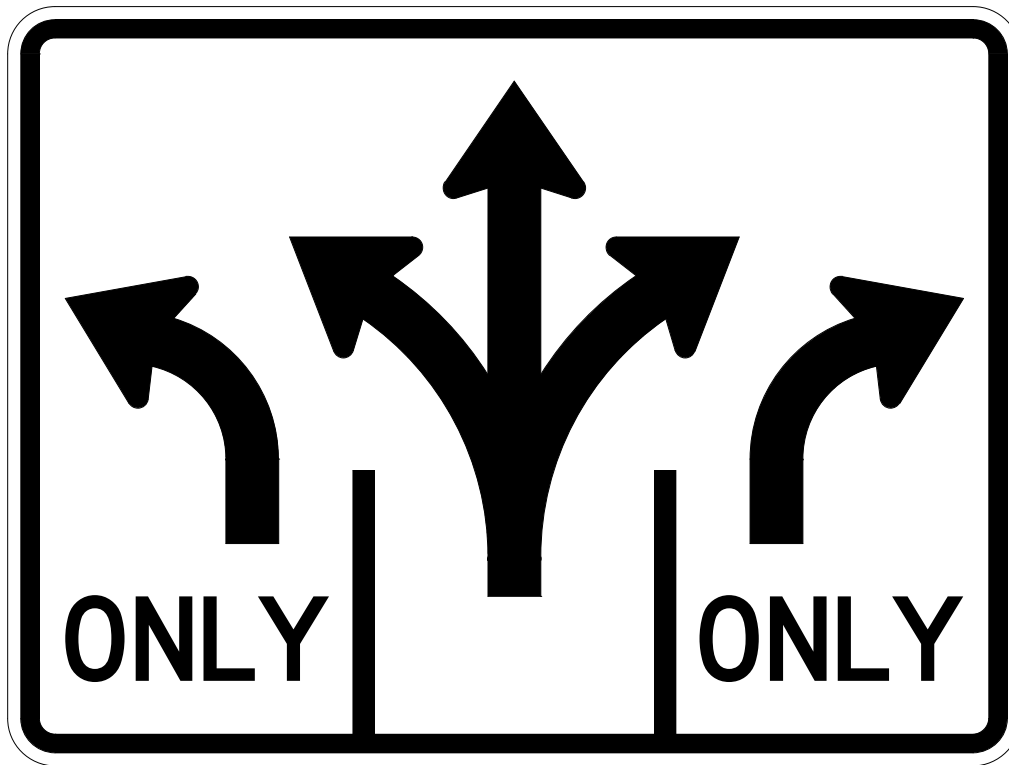


CODE: R3-8LXR

SIZE: 48" x 36"
SPECIAL



R03-08LXR(48x36-SPCL)WHT;

2.250" Radius, 0.875" Border, 0.625" Indent, Black on White;

L - Arrow, 2.5" Stroke; "ONLY" D specified length; X2 - Arrow, 2.5" Stroke;

R - Arrow, 2.5" Stroke; "ONLY" D specified length;

ALL DIMENSIONS ARE IN INCHES



COLORS:

ARROWS, LEGEND & BORDER - BLACK (NON-REFL)
BACKGROUND - WHITE (REFL)

ARIZONA DEPARTMENT OF TRANSPORTATION
TRAFFIC ENGINEERING GROUP

DRAWN:

L. LOPEZ

DATE:

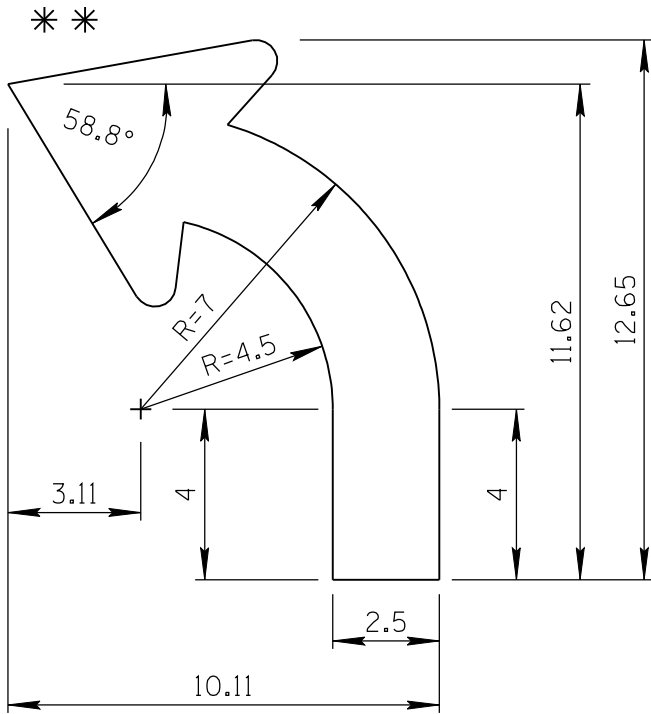
JULY / 2015

APPROVED:

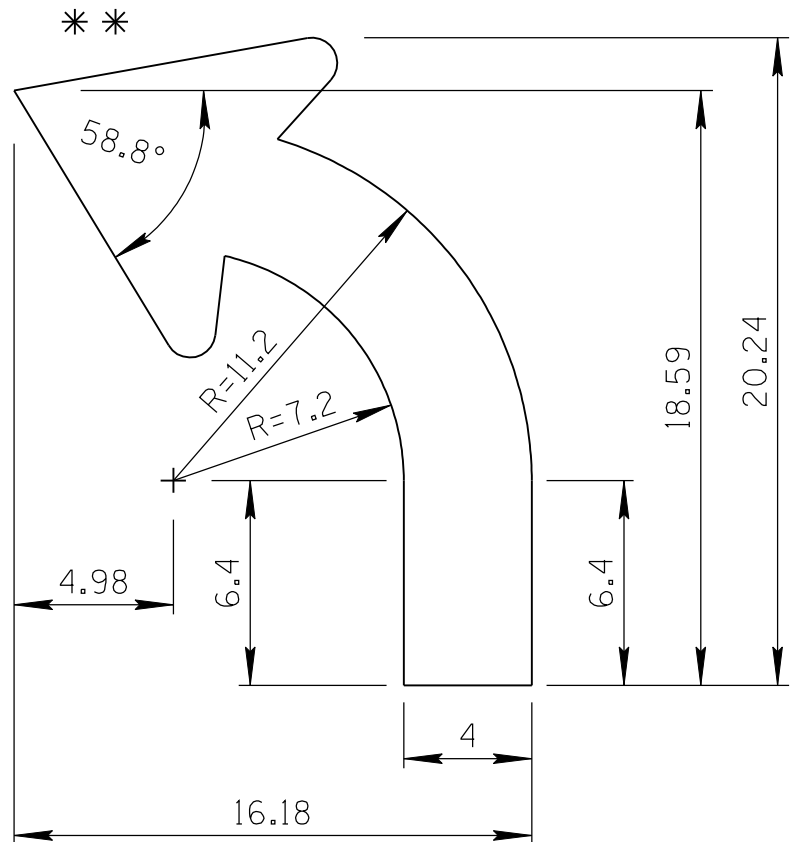
SIGNATURE ON FILE

ARROW CODE: L & R

Mirror for
R Arrow
2.5" & 4"
Stroke



2.5" Stroke



4" Stroke

** For arrowhead dimensions, see
ADOT STANDARD ARROW HEAD DETAILS.

All dimensions are in inches. Length
and width dimensions can be rounded
to the nearest 1/8 inch.

ARIZONA DEPARTMENT OF TRANSPORTATION
TRAFFIC ENGINEERING GROUP

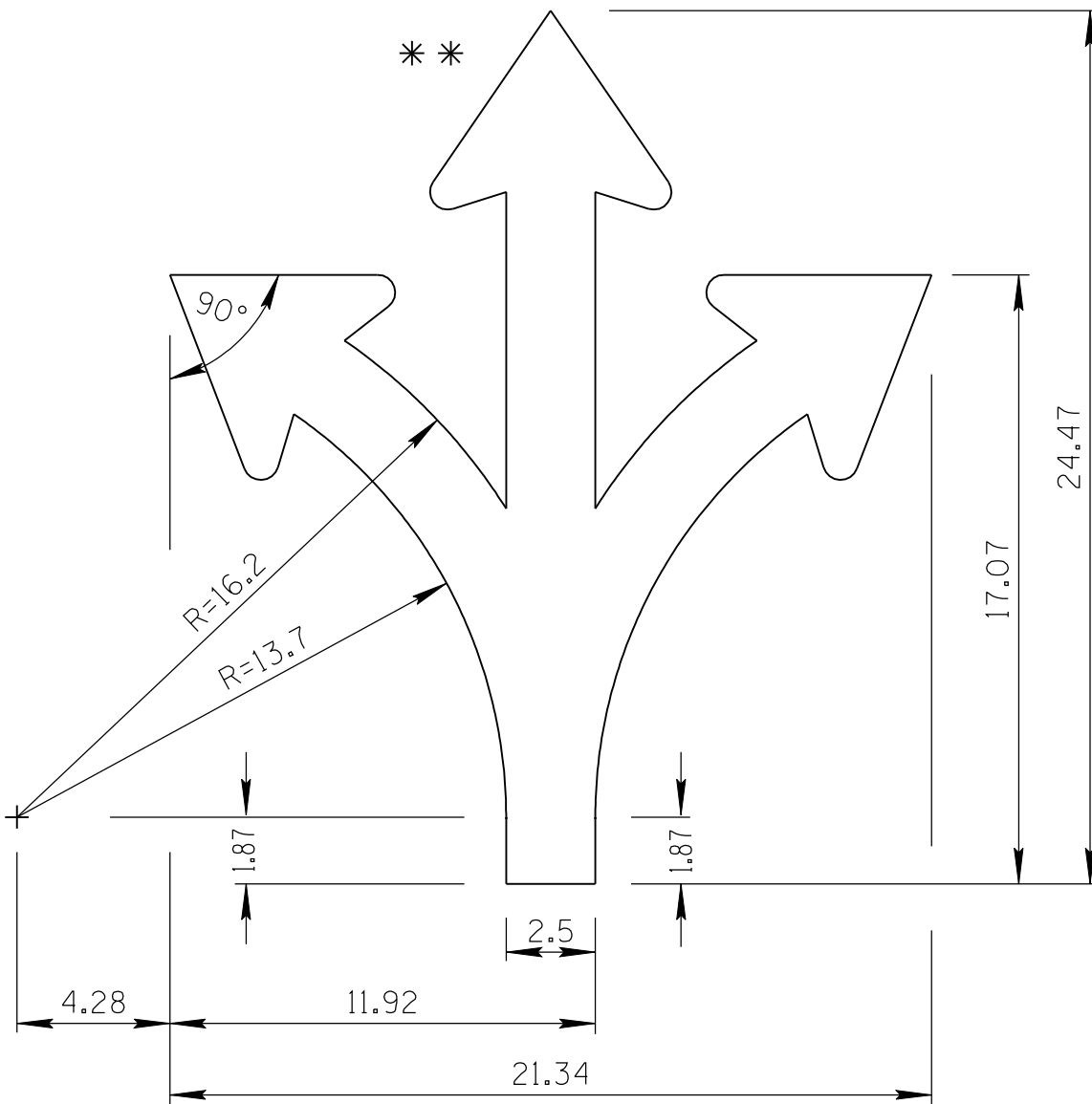
DRAWN:

L. LOPEZ

DATE:

JULY/2015

ARROW CODE: X2
 2.5"
 Stroke



2.5" Stroke

** For arrowhead dimensions, see
 ADOT STANDARD ARROW HEAD DETAILS.

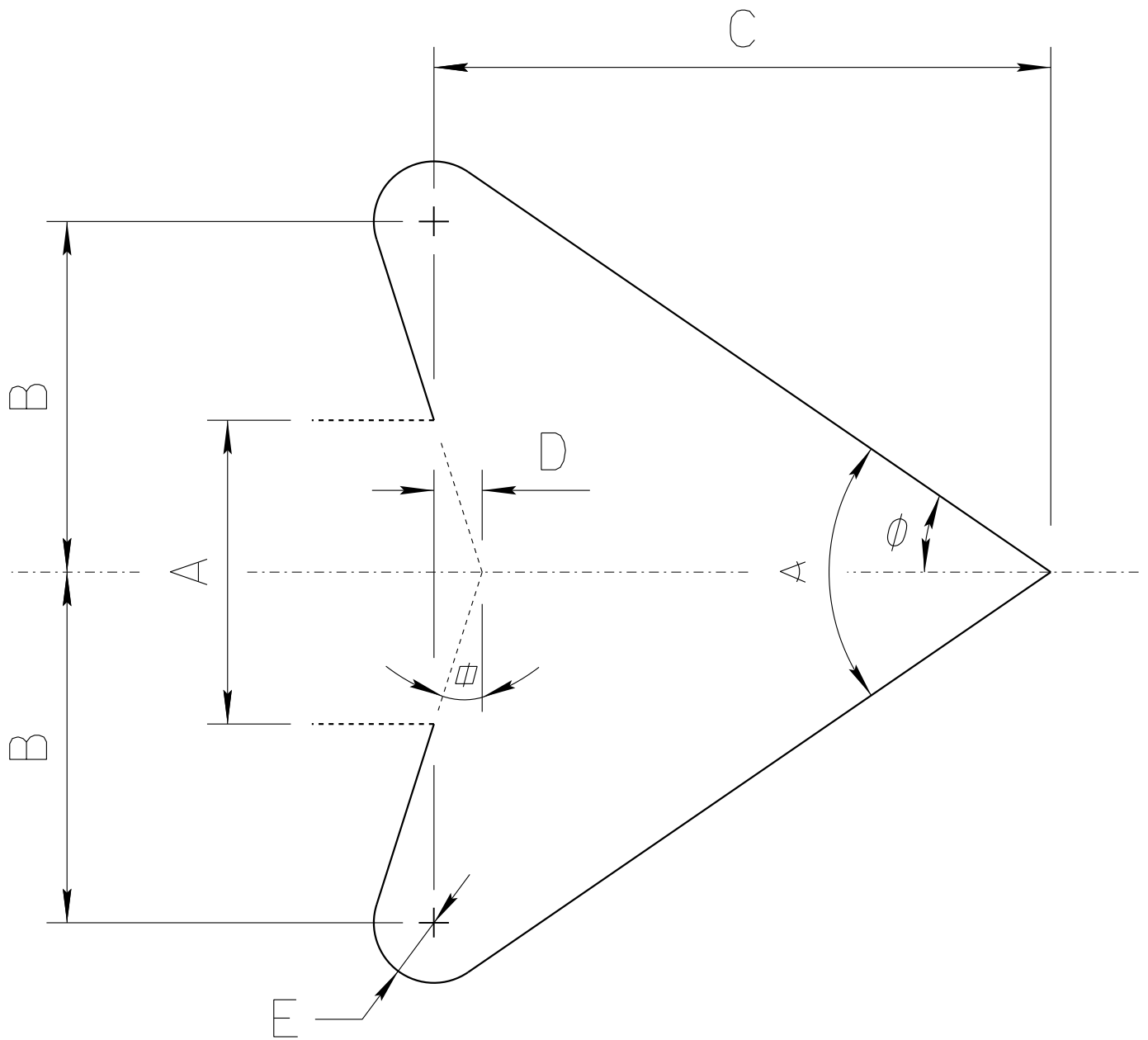
All dimensions are in inches. Length
 and width dimensions can be rounded
 to the nearest 1/8 inch.

ARIZONA DEPARTMENT OF TRANSPORTATION
 TRAFFIC ENGINEERING GROUP

DRAWN:
 L. LOPEZ

DATE:
 JULY/2015

ADOT STANDARD ARROW HEAD DETAILS



$A = \text{Arrow Shaft Stroke Width}$

$B = 1.15 \times A$

$C = 2.025 \times A$

$D = 0.16169 \times A$

$E = 0.2 \times A$

$\phi = 17.92^\circ$

$\phi = 34.519^\circ$

$\alpha = 69.038^\circ$

ARIZONA DEPARTMENT OF TRANSPORTATION
TRAFFIC ENGINEERING GROUP

DRAWN:

L. LOPEZ

DATE:

AUGUST/2019