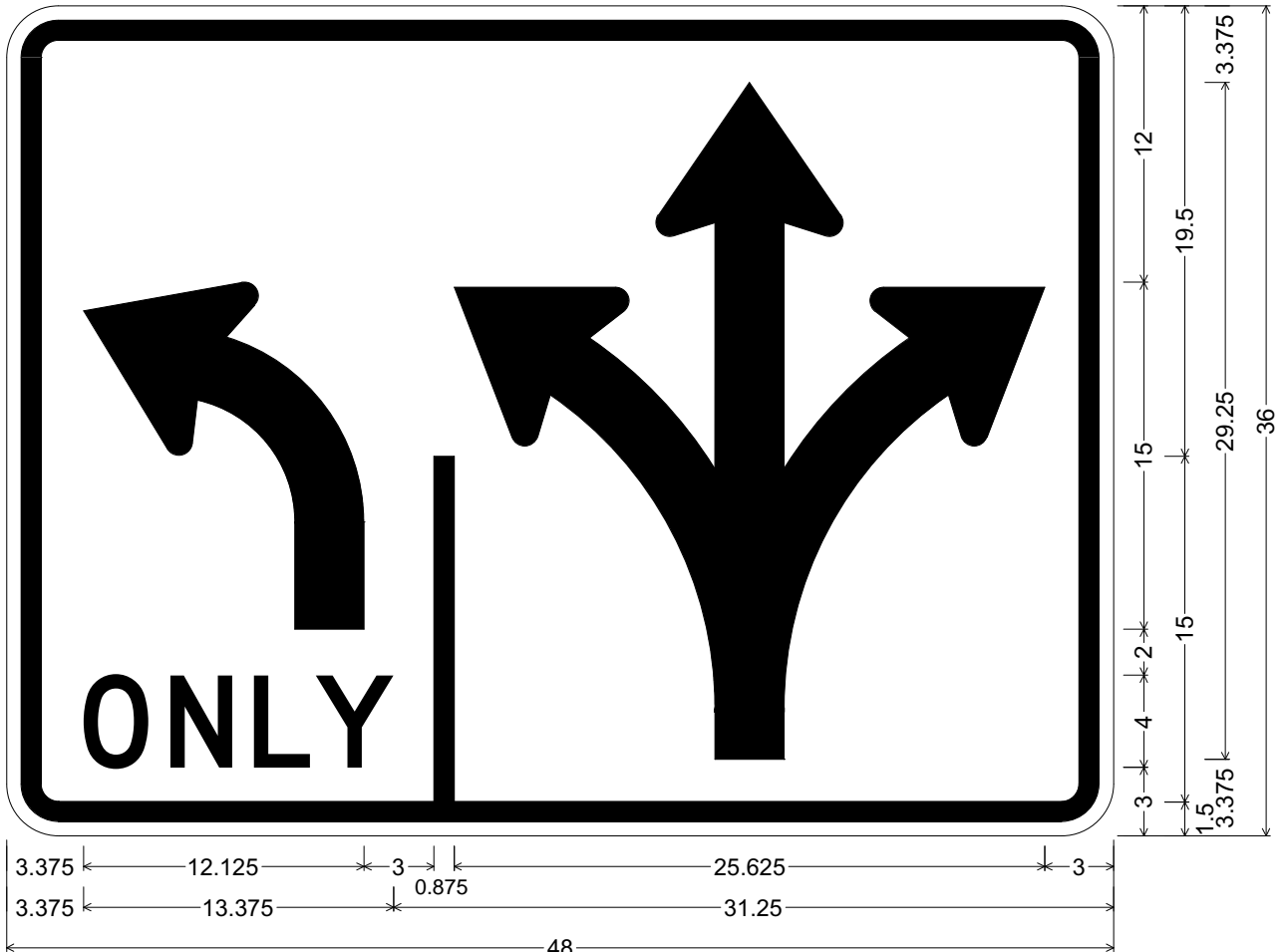


CODE: R3-8LX

SIZE: 48" x 36"
STANDARD



R03-08LX(48x36-STD)WHT; 2.250" Radius, 0.875" Border, 0.625" Indent, Black on White;
L - Arrow, 3" Stroke; "ONLY" D; Divider, 0.875" Stroke; X2 - Arrow, 3" Stroke;

ALL DIMENSIONS ARE IN INCHES



COLORS:

ARROWS, LEGEND & BORDER - BLACK (NON-REFL)
BACKGROUND - WHITE (REFL)

ARIZONA DEPARTMENT OF TRANSPORTATION
TRAFFIC ENGINEERING GROUP

DRAWN:

L. LOPEZ

DATE:

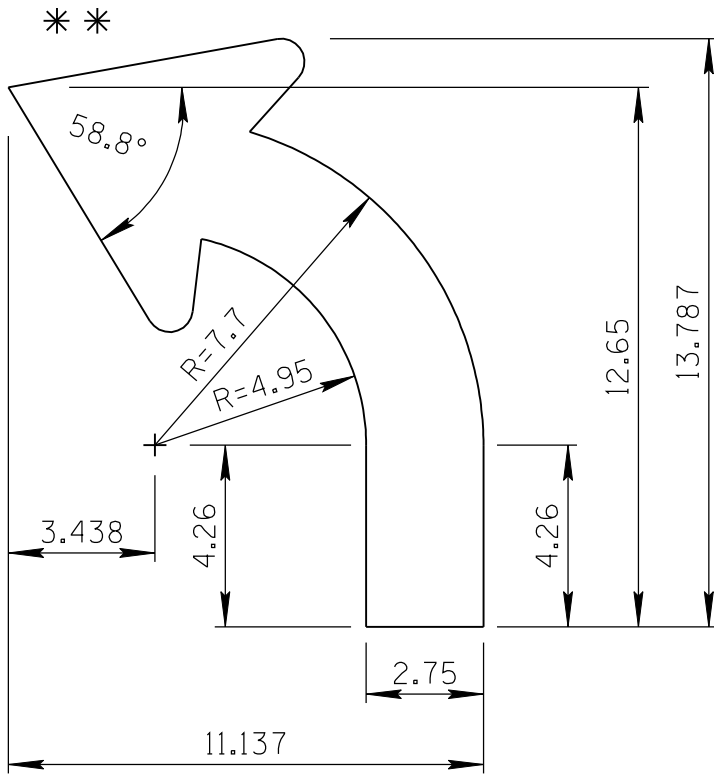
JULY / 2015

APPROVED:

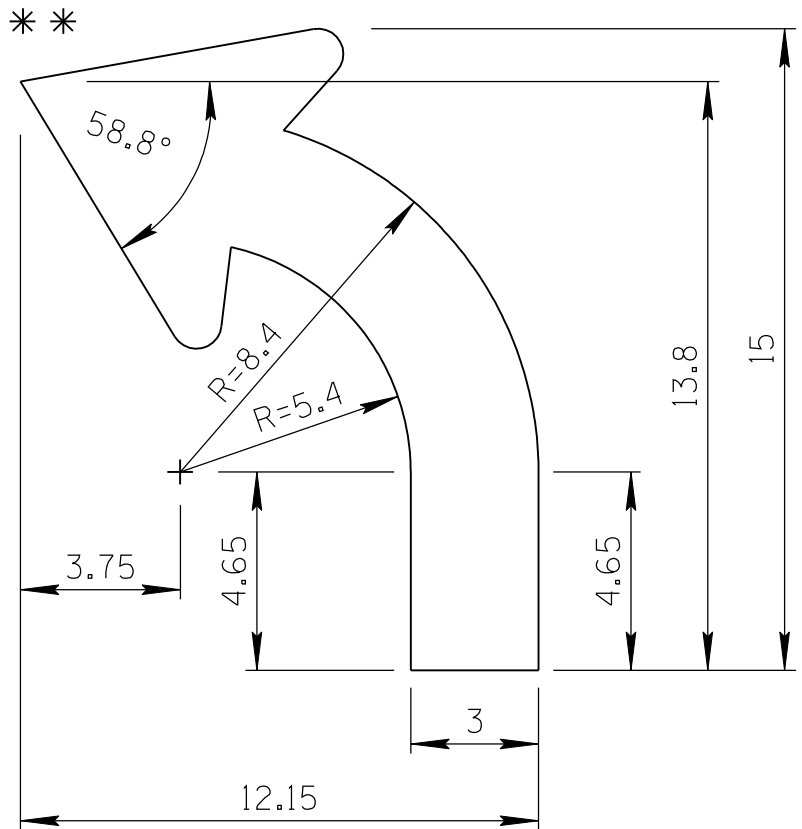
SIGNATURE ON FILE

ARROW CODE: L & R

Mirror for
R Arrow
2.75" & 3"
Stroke



2.75" Stroke



3" Stroke

** For arrowhead dimensions, see
ADOT STANDARD ARROW HEAD DETAILS.

All dimensions are in inches. Length
and width dimensions can be rounded
to the nearest 1/8 inch.

ARIZONA DEPARTMENT OF TRANSPORTATION
TRAFFIC ENGINEERING GROUP

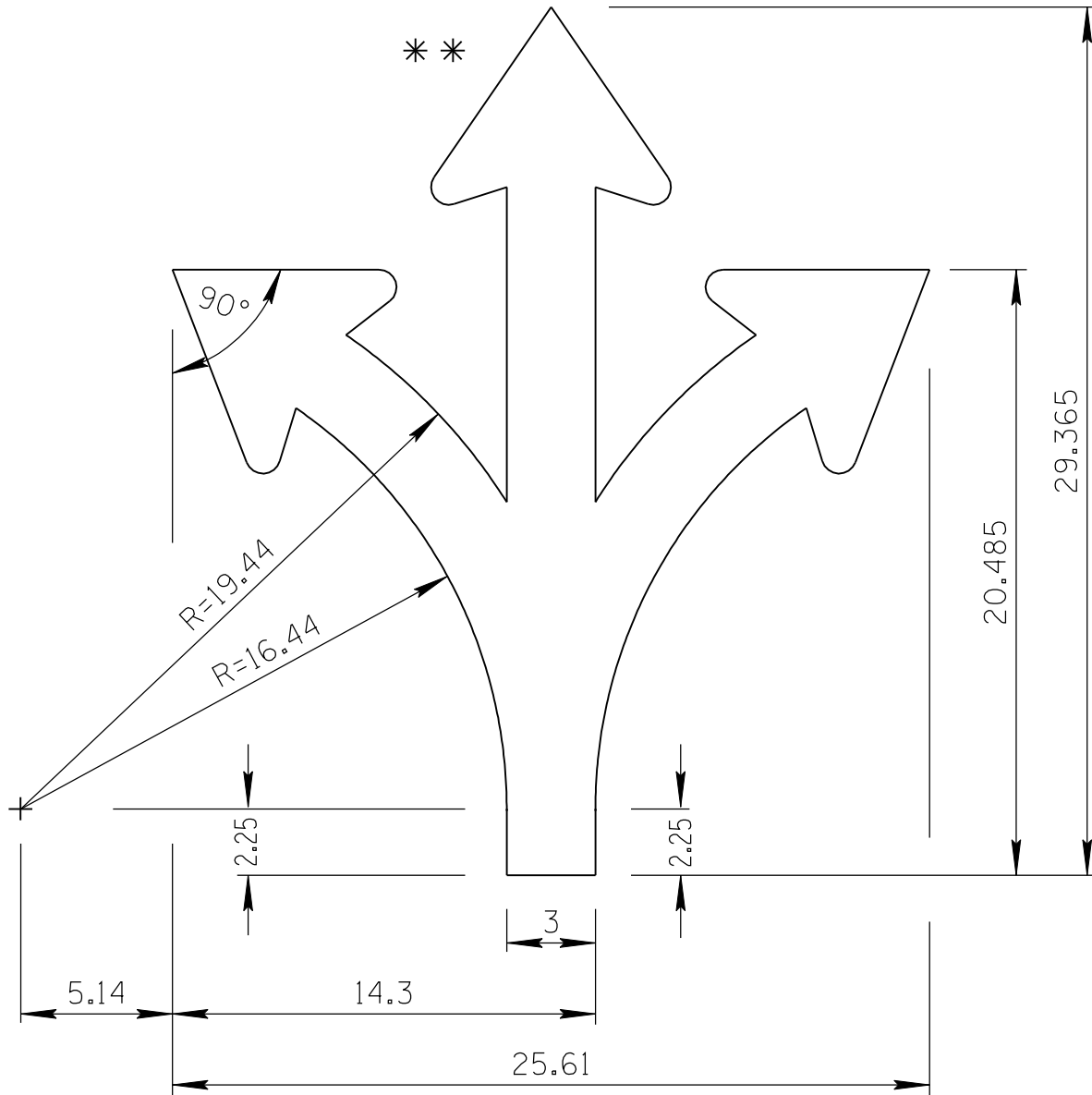
DRAWN:

L. LOPEZ

DATE:

JULY/2015

ARROW CODE: $\frac{X2}{3''}$
Stroke



3" Stroke

* * For arrowhead dimensions, see
ADOT STANDARD ARROW HEAD DETAILS.

All dimensions are in inches. Length
and width dimensions can be rounded
to the nearest $\frac{1}{8}$ inch.

ARIZONA DEPARTMENT OF TRANSPORTATION
TRAFFIC ENGINEERING GROUP

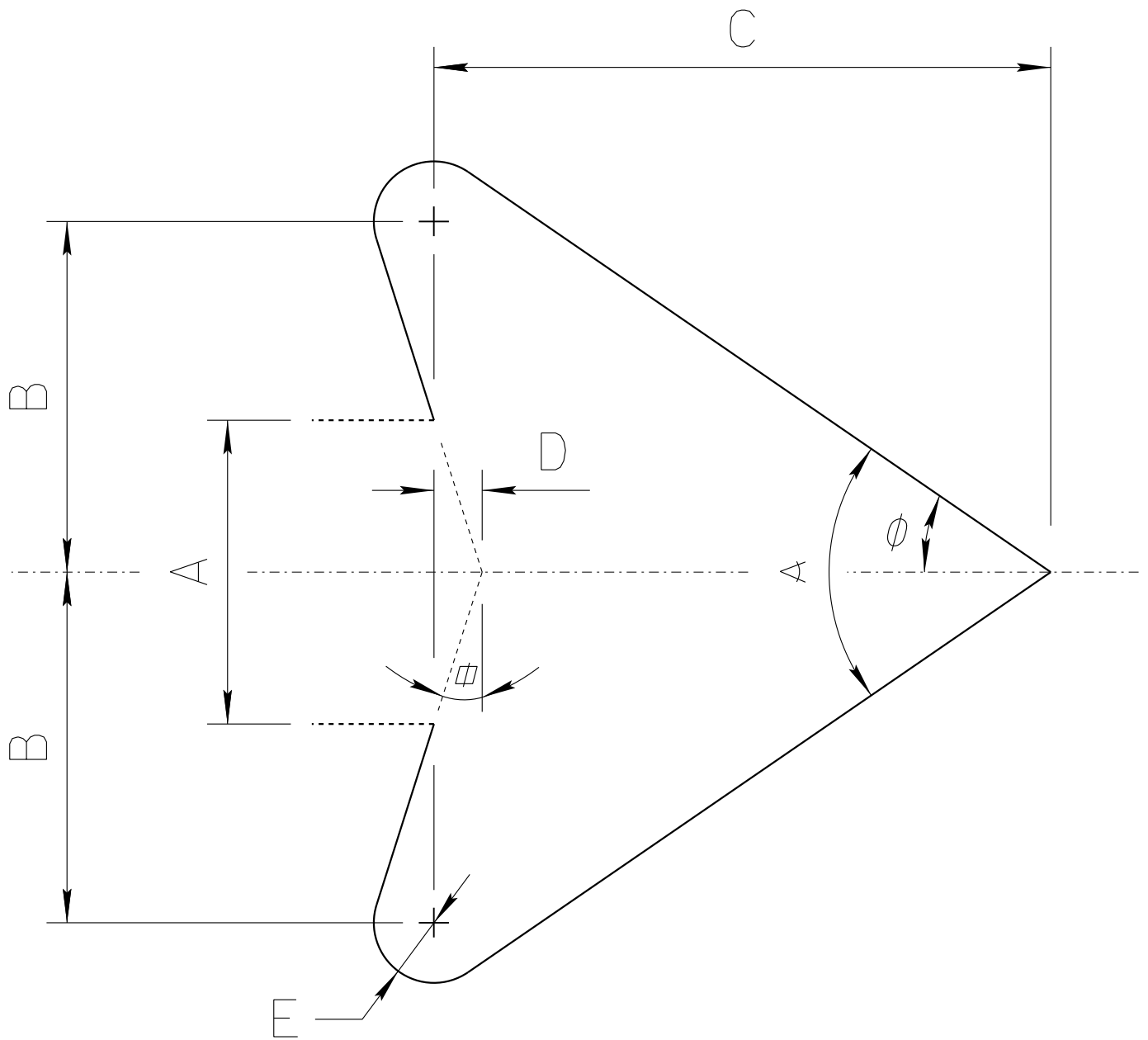
DRAWN:

L. LOPEZ

DATE:

JULY/2015

ADOT STANDARD ARROW HEAD DETAILS



$A = \text{Arrow Shaft Stroke Width}$

$B = 1.15 \times A$

$C = 2.025 \times A$

$D = 0.16169 \times A$

$E = 0.2 \times A$

$\alpha = 17.92^\circ$

$\phi = 34.519^\circ$

$\alpha = 69.038^\circ$

ARIZONA DEPARTMENT OF TRANSPORTATION
TRAFFIC ENGINEERING GROUP

DRAWN:

L. LOPEZ

DATE:

AUGUST/2019