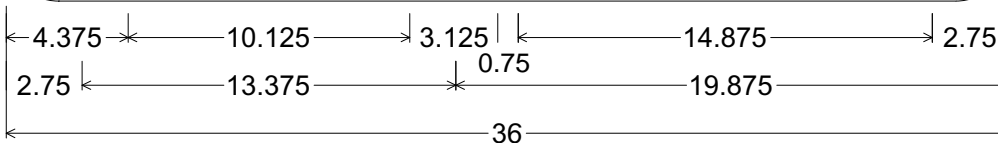
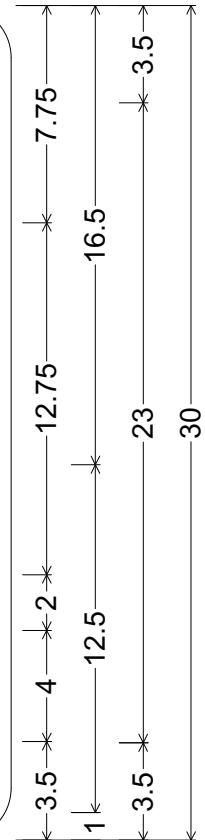
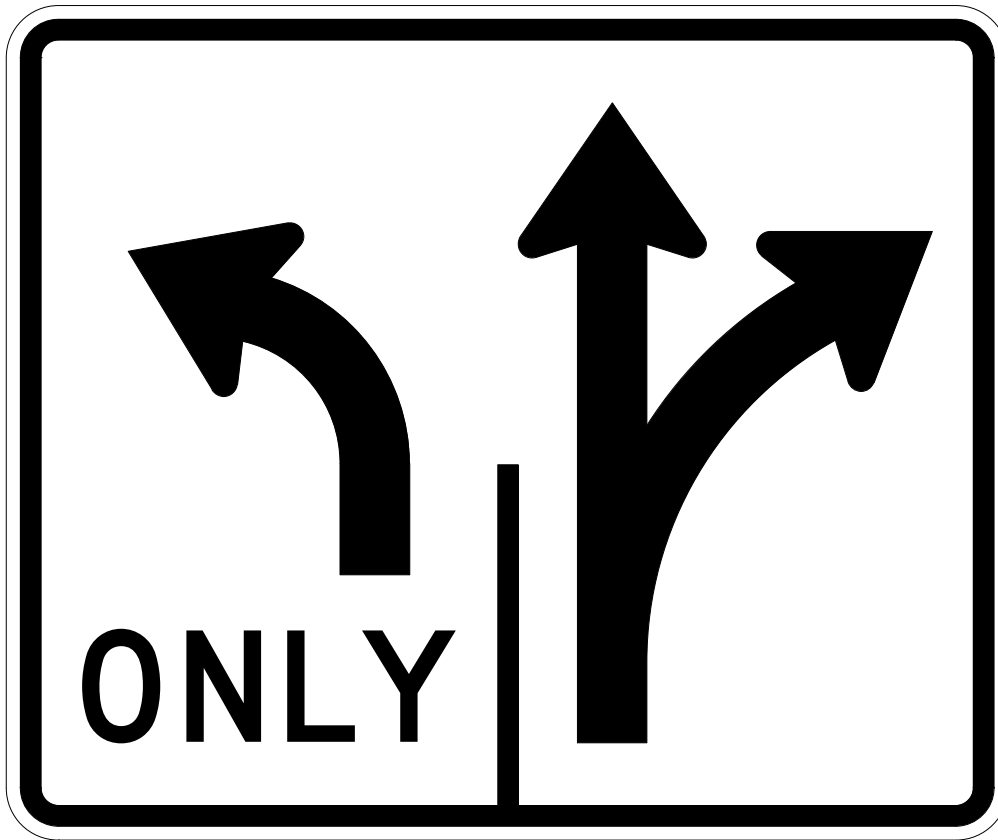


CODE: R3-8LQ

SIZE: 36" x 30"
STANDARD



R03-08LQ(36x30-STD)WHT;

1.875" Radius, 0.750" Border, 0.500" Indent, Black on White;

L - Arrow, 2.5" Stroke; "ONLY" D; Divider, 0.75" Stroke;

Q2 - Arrow, 2.5" Stroke;

ALL DIMENSIONS ARE IN INCHES



COLORS:

ARROWS, LEGEND & BORDER - BLACK (NON-REFL)
BACKGROUND - WHITE (REFL)

ARIZONA DEPARTMENT OF TRANSPORTATION
TRAFFIC ENGINEERING GROUP

DRAWN:

L. LOPEZ

DATE:

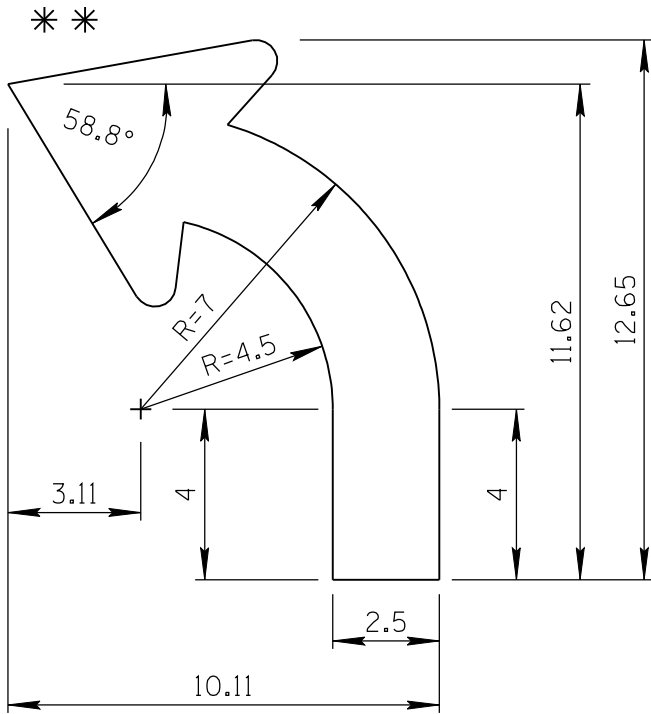
JULY / 2015

APPROVED:

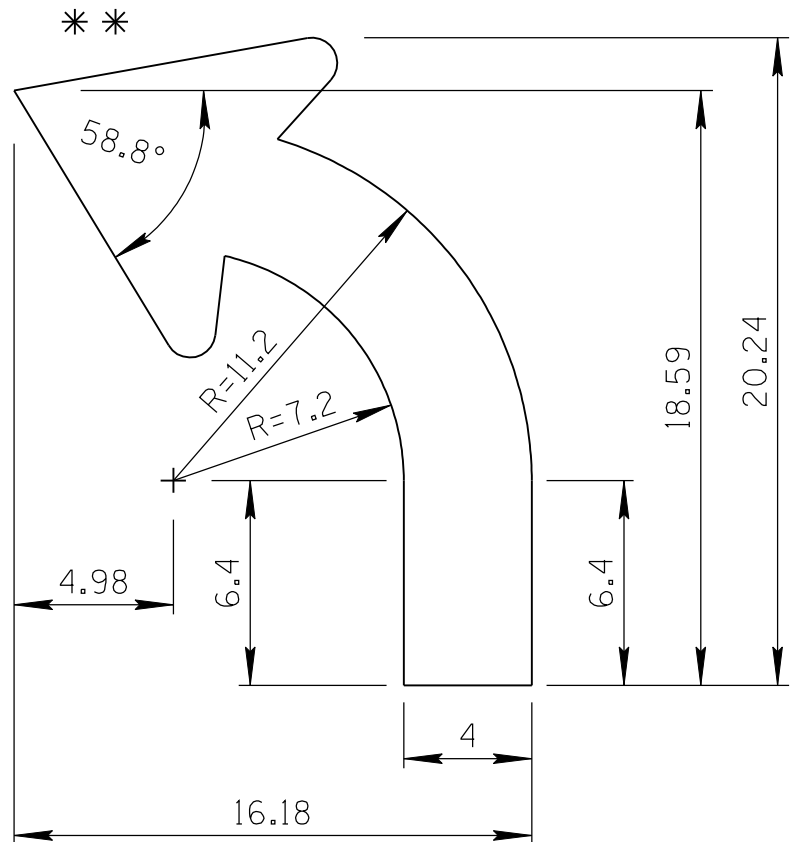
SIGNATURE ON FILE

ARROW CODE: L & R

Mirror for
R Arrow
2.5" & 4"
Stroke



2.5" Stroke



4" Stroke

** For arrowhead dimensions, see
ADOT STANDARD ARROW HEAD DETAILS.

All dimensions are in inches. Length
and width dimensions can be rounded
to the nearest 1/8 inch.

ARIZONA DEPARTMENT OF TRANSPORTATION
TRAFFIC ENGINEERING GROUP

DRAWN:

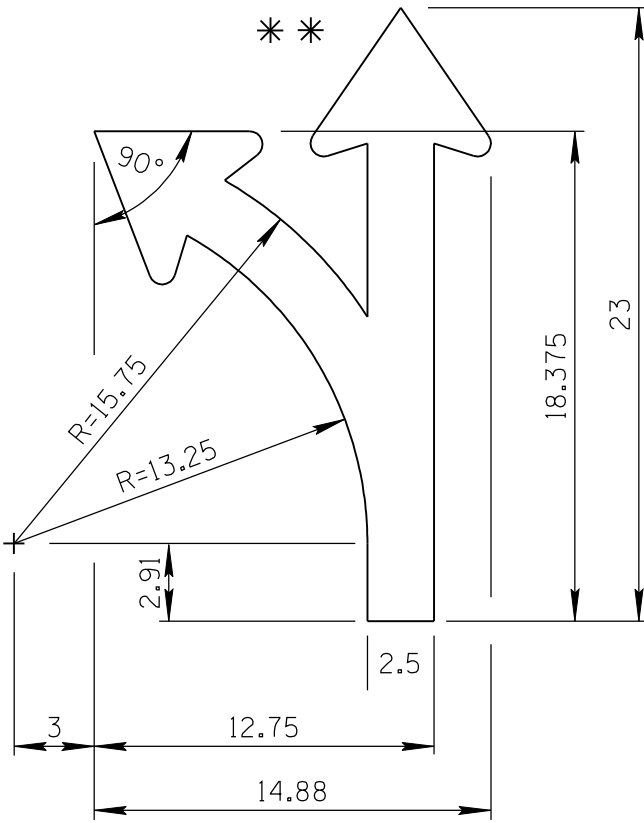
L. LOPEZ

DATE:

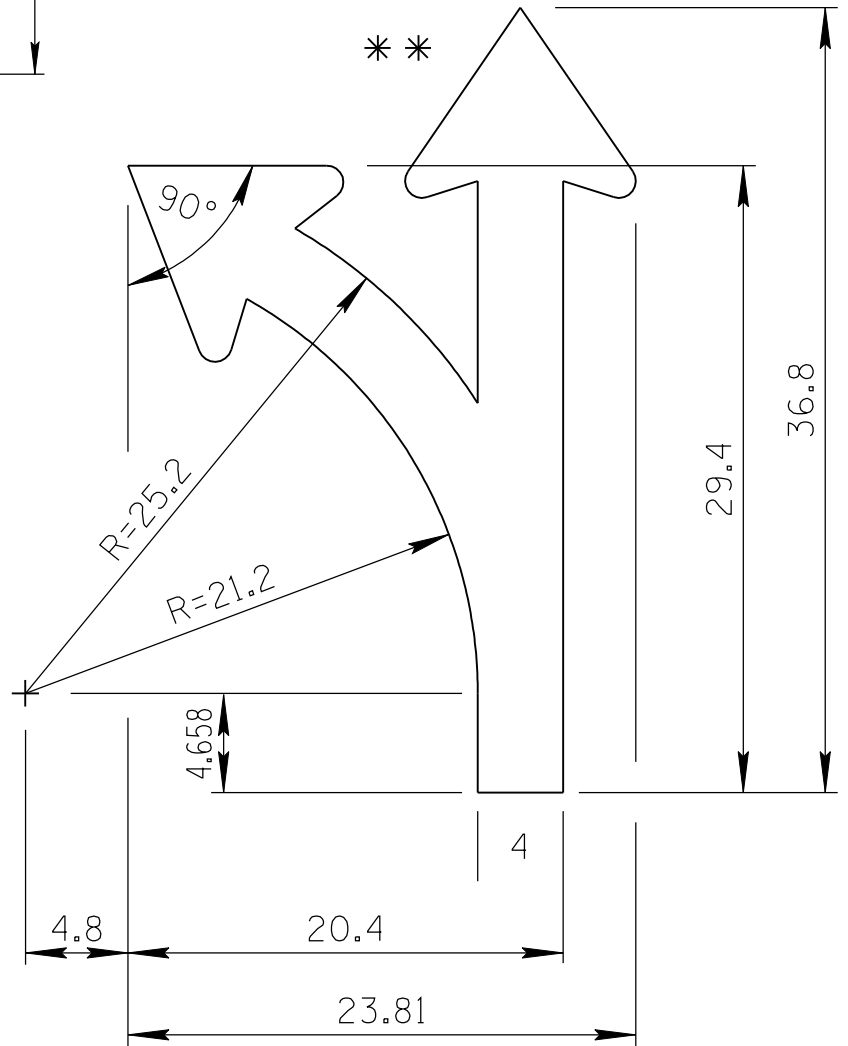
JULY/2015

ARROW CODE: K2 & Q2

Mirror for
Q2 Arrow
2.5" & 4"
Stroke



2.5" Stroke



4" Stroke

** For arrowhead dimensions, see
ADOT STANDARD ARROW HEAD DETAILS.

All dimensions are in inches. Length
and width dimensions can be rounded
to the nearest 1/8 inch.

ARIZONA DEPARTMENT OF TRANSPORTATION
TRAFFIC ENGINEERING GROUP

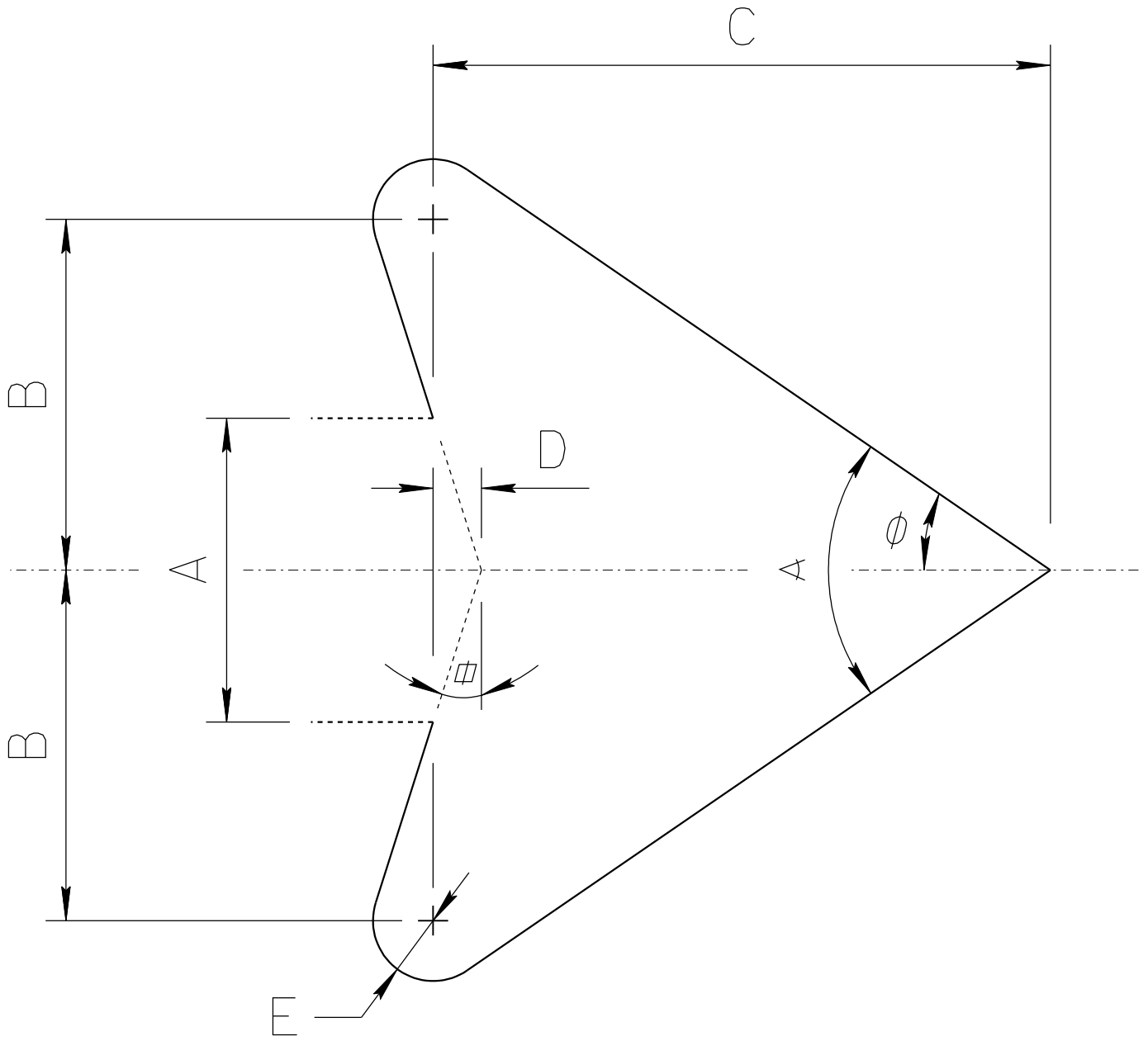
DRAWN:

L. LOPEZ

DATE:

JULY/2015

ADOT STANDARD ARROW HEAD DETAILS



A = Arrow Shaft Stroke Width

B = $1.15 \times A$

C = $2.025 \times A$

D = $0.16169 \times A$

E = $0.2 \times A$

α = 17.92°

ϕ = 34.519°

\angle = 68.038°

ARIZONA DEPARTMENT OF TRANSPORTATION
TRAFFIC ENGINEERING GROUP

DRAWN:

L. LOPEZ

DATE:

JULY/2015