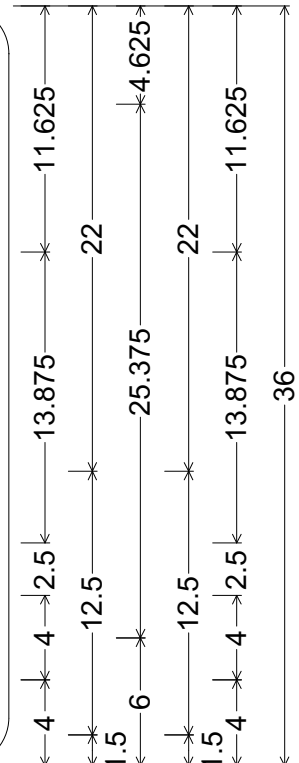
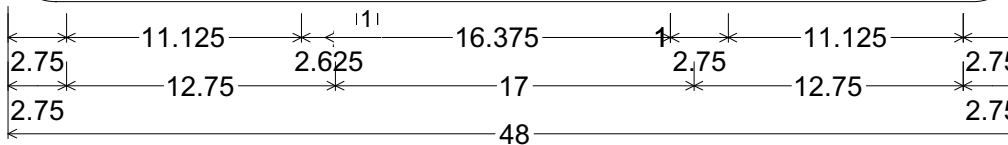
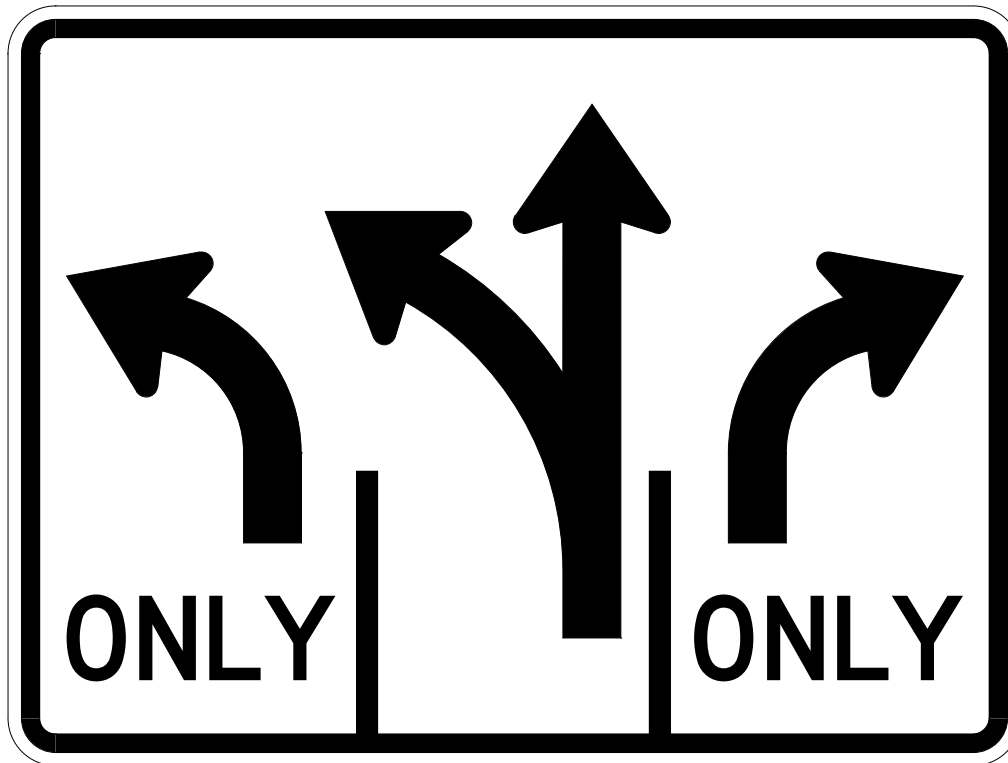



CODE: R3-8LKR

SIZE: 48" x 36"
SPECIAL



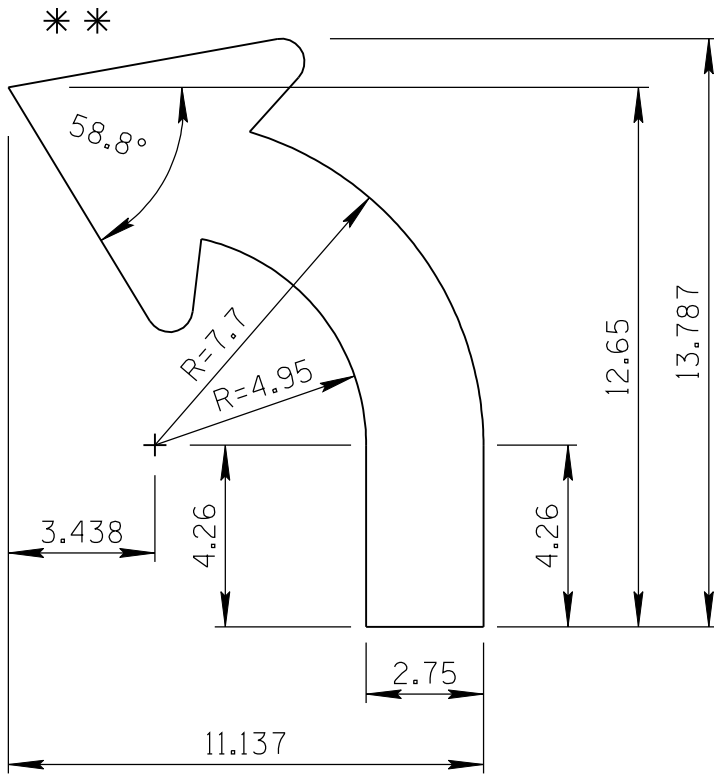
R03-08LKR(48x36-SPCL)WHT;
2.250" Radius, 0.875" Border, 0.625" Indent, Black on White;
L - Arrow, 2.75" Stroke; "ONLY" D specified length;
K2 - Arrow, 2.75" Stroke; R - Arrow, 2.75" Stroke;
"ONLY" D specified length;

ALL DIMENSIONS ARE IN INCHES

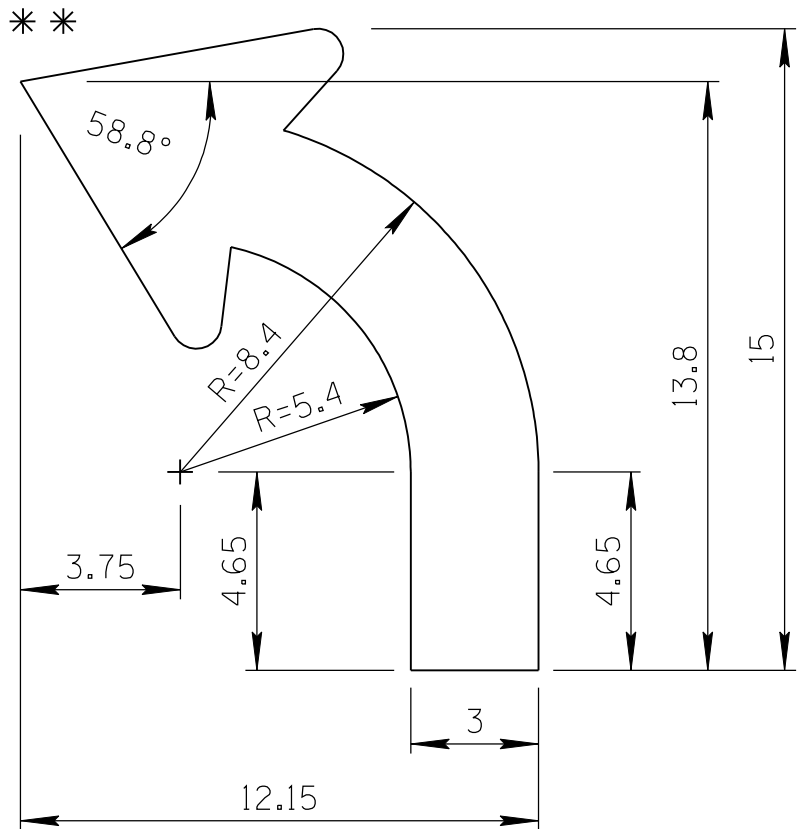
	COLORS: ARROWS, LEGEND & BORDER - BLACK (NON-REFL) BACKGROUND - WHITE (REFL)	ARIZONA DEPARTMENT OF TRANSPORTATION TRAFFIC ENGINEERING GROUP	
		DRAWN: L. LOPEZ	DATE: JULY / 2015
		APPROVED: SIGNATURE ON FILE	

ARROW CODE: L & R

Mirror for
R Arrow
2.75" & 3"
Stroke



2.75" Stroke



3" Stroke

** For arrowhead dimensions, see
ADOT STANDARD ARROW HEAD DETAILS.

All dimensions are in inches. Length
and width dimensions can be rounded
to the nearest 1/8 inch.

ARIZONA DEPARTMENT OF TRANSPORTATION
TRAFFIC ENGINEERING GROUP

DRAWN:

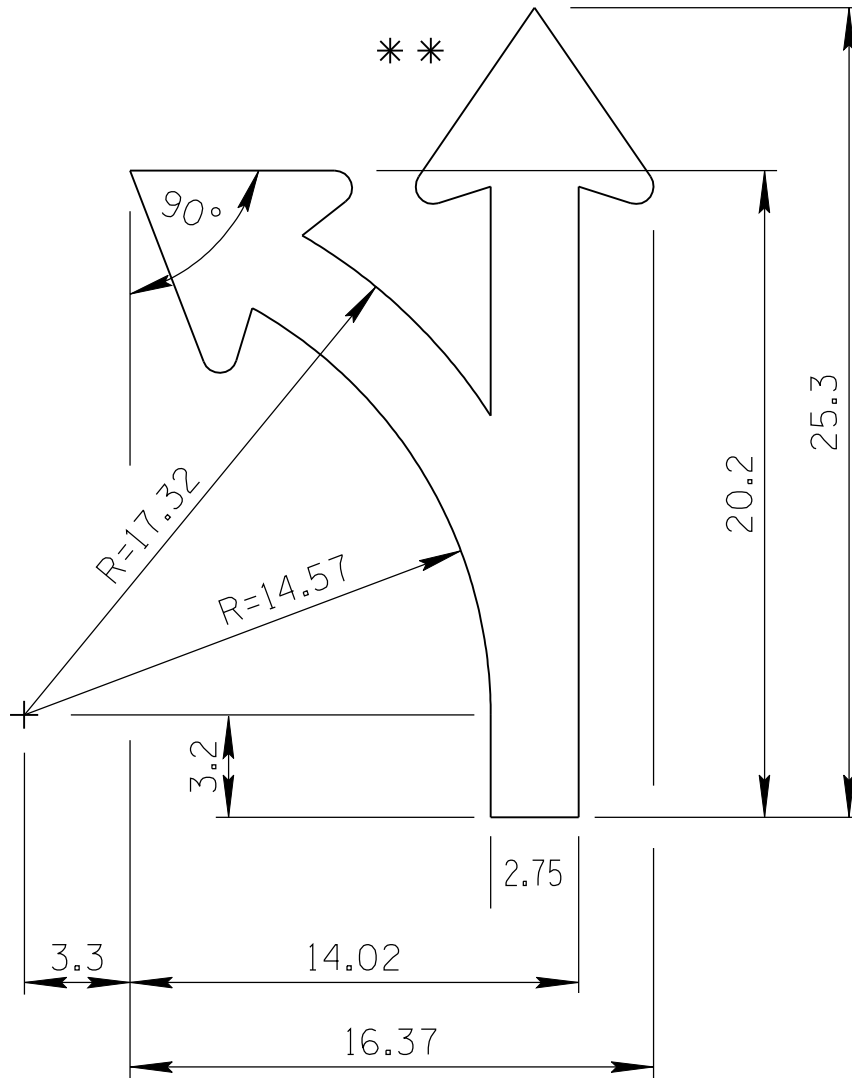
L. LOPEZ

DATE:

JULY/2015

ARROW CODE: K2 & Q2

Mirror for
Q2 Arrow
2.75"
Stroke



2.75" Stroke

** For arrowhead dimensions, see
ADOT STANDARD ARROW HEAD DETAILS.

All dimensions are in inches. Length
and width dimensions can be rounded
to the nearest 1/8 inch.

ARIZONA DEPARTMENT OF TRANSPORTATION
TRAFFIC ENGINEERING GROUP

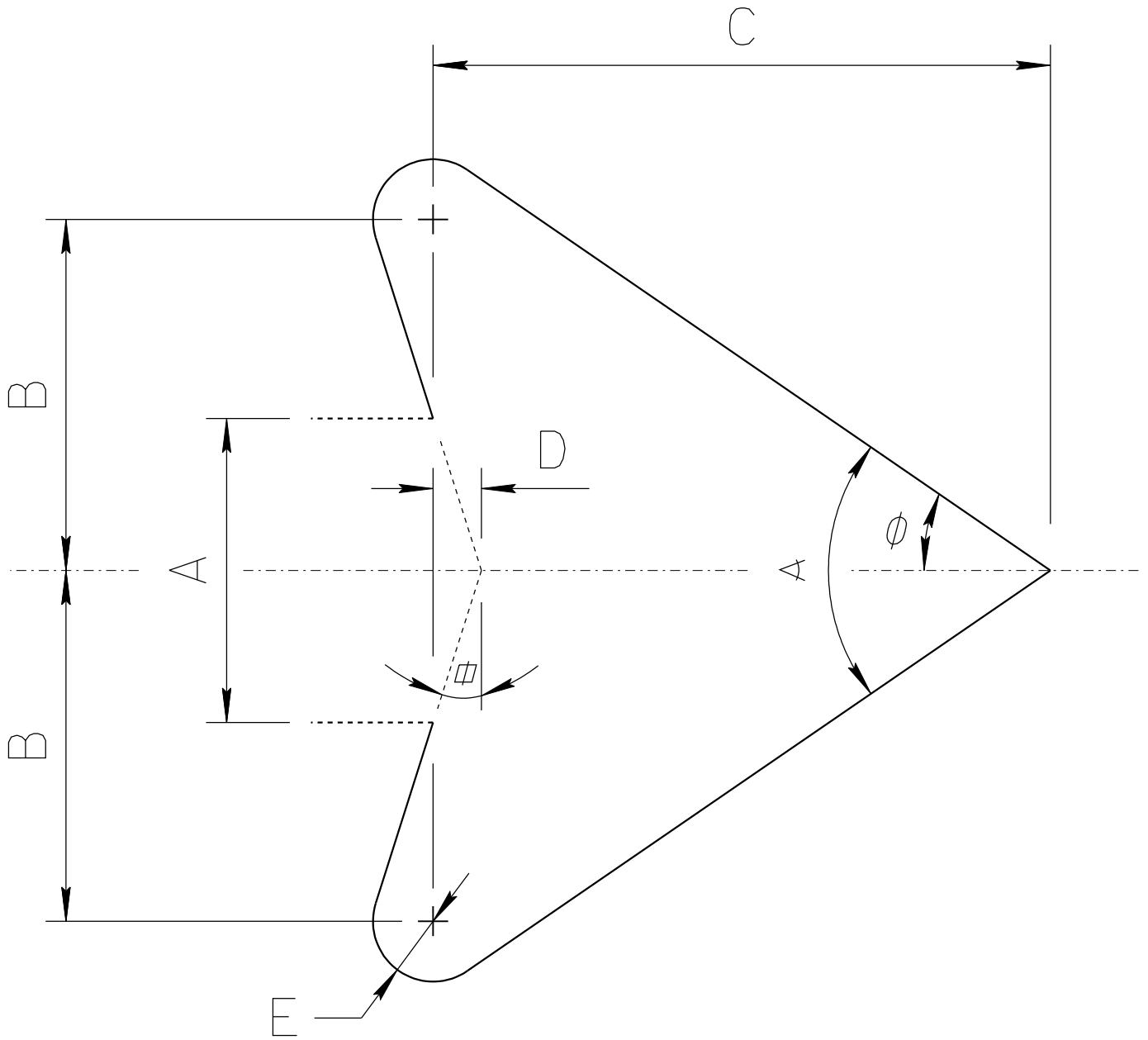
DRAWN:

L. LOPEZ

DATE:

JULY/2015

ADOT STANDARD ARROW HEAD DETAILS



A = Arrow Shaft Stroke Width

B = $1.15 \times A$

C = $2.025 \times A$

D = $0.16169 \times A$

E = $0.2 \times A$

α = 17.92°

ϕ = 34.519°

α = 68.038°

ARIZONA DEPARTMENT OF TRANSPORTATION
TRAFFIC ENGINEERING GROUP

DRAWN:

L. LOPEZ

DATE:

JULY/2015