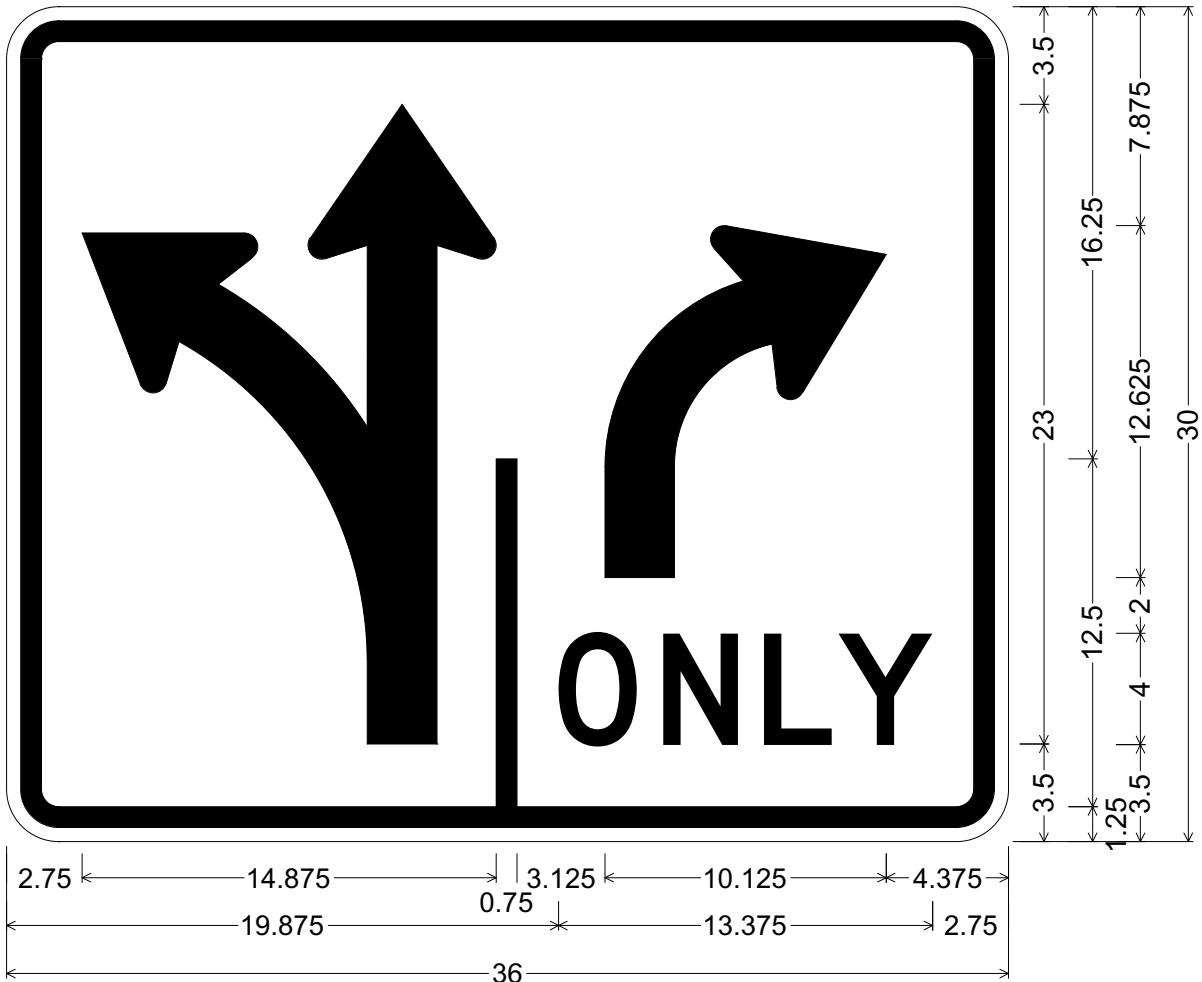


CODE: R3-8KR

SIZE: 36" x 30"  
STANDARD



R03-08KR(36x30-STD)WHT;

1.875" Radius, 0.750" Border, 0.500" Indent, Black on White;

K2 - Arrow, 2.5" Stroke; Divider, 0.75" Stroke; R - Arrow, 2.5" Stroke;

"ONLY" D;

ALL DIMENSIONS ARE IN INCHES



**COLORS:**

ARROWS, LEGEND & BORDER - BLACK (NON-REFL)  
BACKGROUND - WHITE (REFL)

ARIZONA DEPARTMENT OF TRANSPORTATION  
TRAFFIC ENGINEERING GROUP

DRAWN:

L. LOPEZ

DATE:

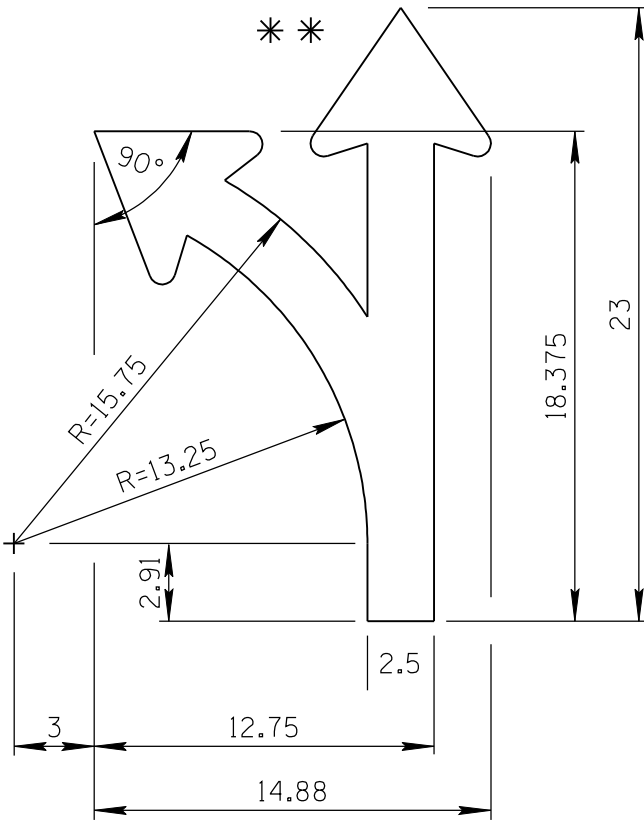
JULY / 2015

APPROVED:

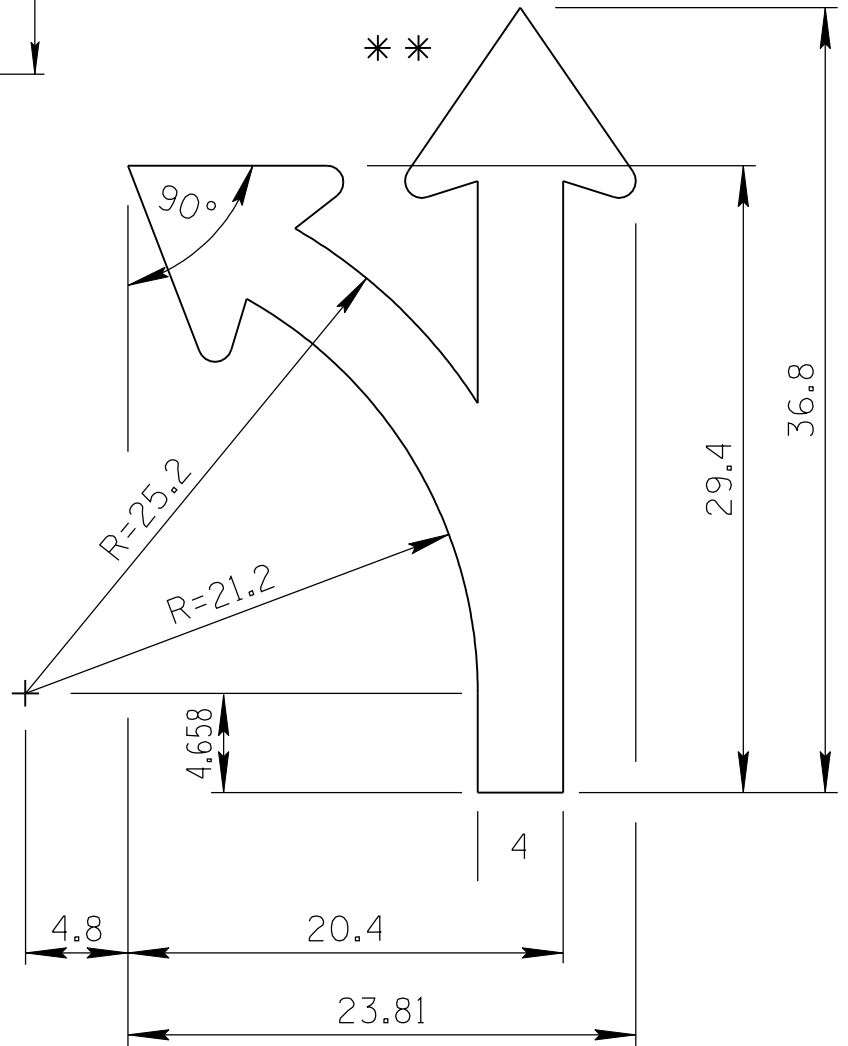
SIGNATURE ON FILE

ARROW CODE: K2 & Q2

Mirror for  
Q2 Arrow  
2.5" & 4"  
Stroke



2.5" Stroke



4" Stroke

\*\* For arrowhead dimensions, see  
ADOT STANDARD ARROW HEAD DETAILS.

All dimensions are in inches. Length  
and width dimensions can be rounded  
to the nearest 1/8 inch.

ARIZONA DEPARTMENT OF TRANSPORTATION  
TRAFFIC ENGINEERING GROUP

DRAWN:

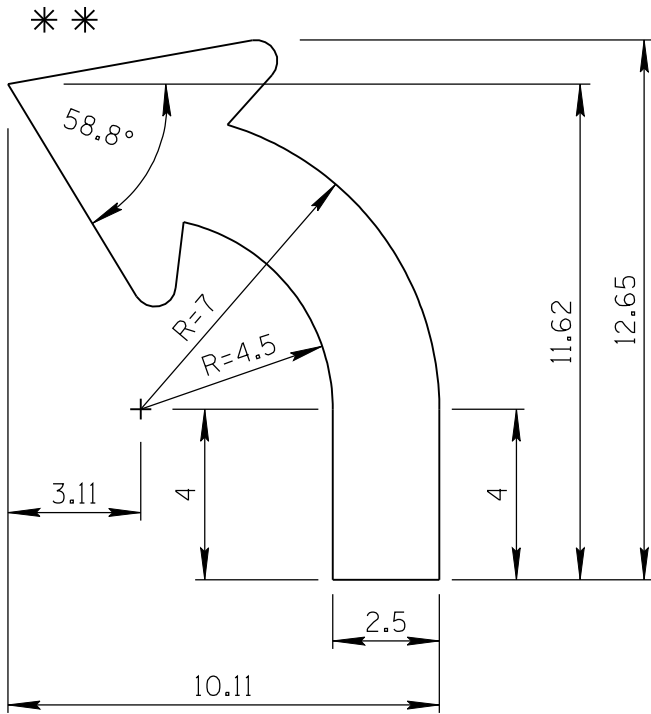
L. LOPEZ

DATE:

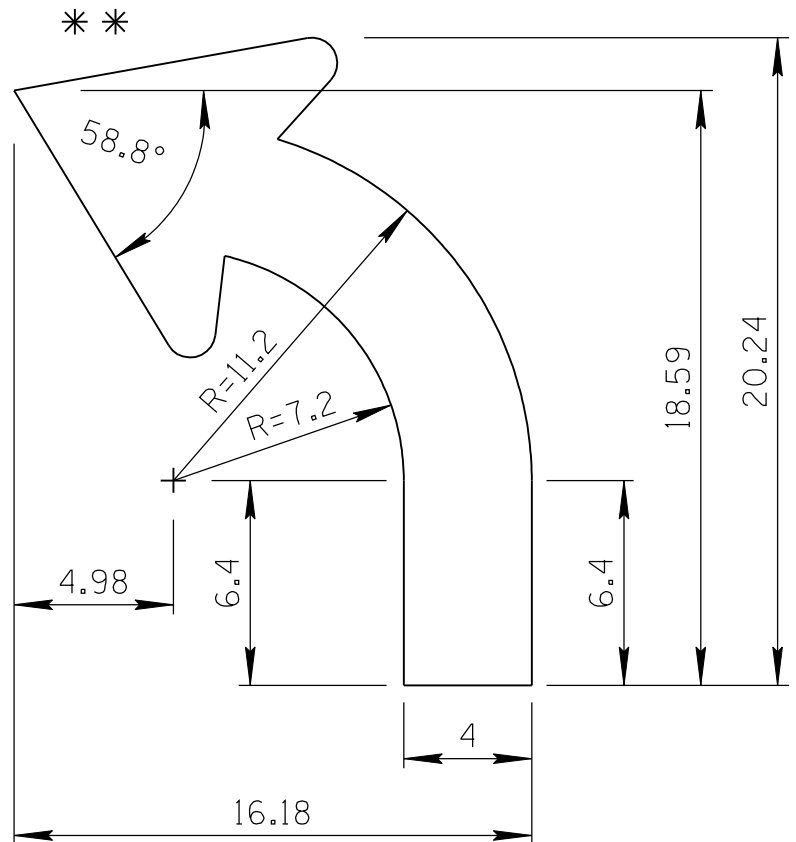
JULY/2015

ARROW CODE: L & R

Mirror for  
R Arrow  
2.5" & 4"  
Stroke



2.5" Stroke



4" Stroke

\*\* For arrowhead dimensions, see  
ADOT STANDARD ARROW HEAD DETAILS.

All dimensions are in inches. Length  
and width dimensions can be rounded  
to the nearest 1/8 inch.

ARIZONA DEPARTMENT OF TRANSPORTATION  
TRAFFIC ENGINEERING GROUP

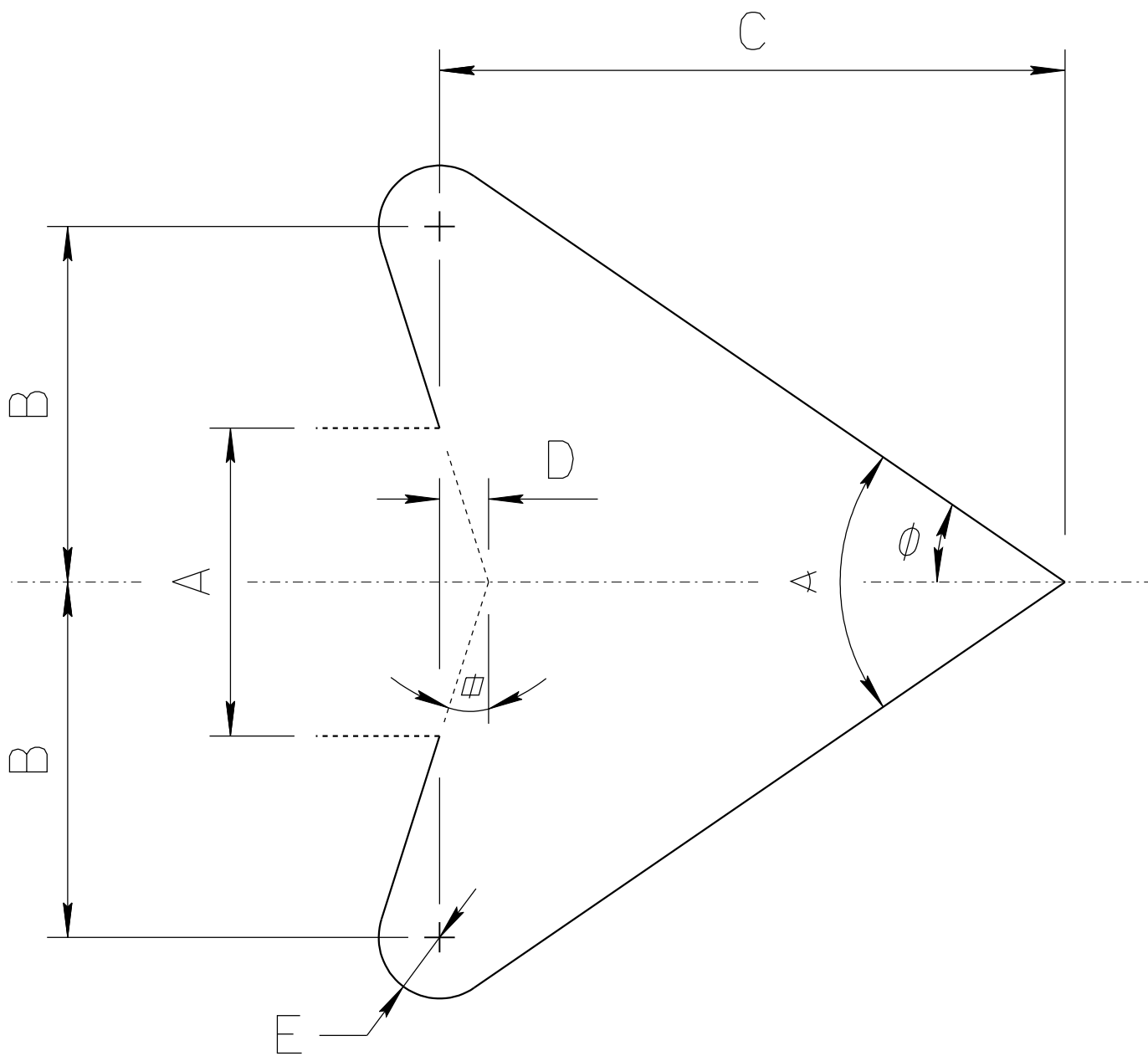
DRAWN:

L. LOPEZ

DATE:

JULY/2015

# ADOT STANDARD ARROW HEAD DETAILS



$A$  = Arrow Shaft Stroke Width

$B$  =  $1.15 \times A$

$C$  =  $2.025 \times A$

$D$  =  $0.16169 \times A$

$E$  =  $0.2 \times A$

$\phi$  =  $17.92^\circ$

$\alpha$  =  $34.519^\circ$

$\alpha$  =  $68.038^\circ$

ARIZONA DEPARTMENT OF TRANSPORTATION  
TRAFFIC ENGINEERING GROUP

DRAWN:

L. LOPEZ

DATE:

JULY/2015