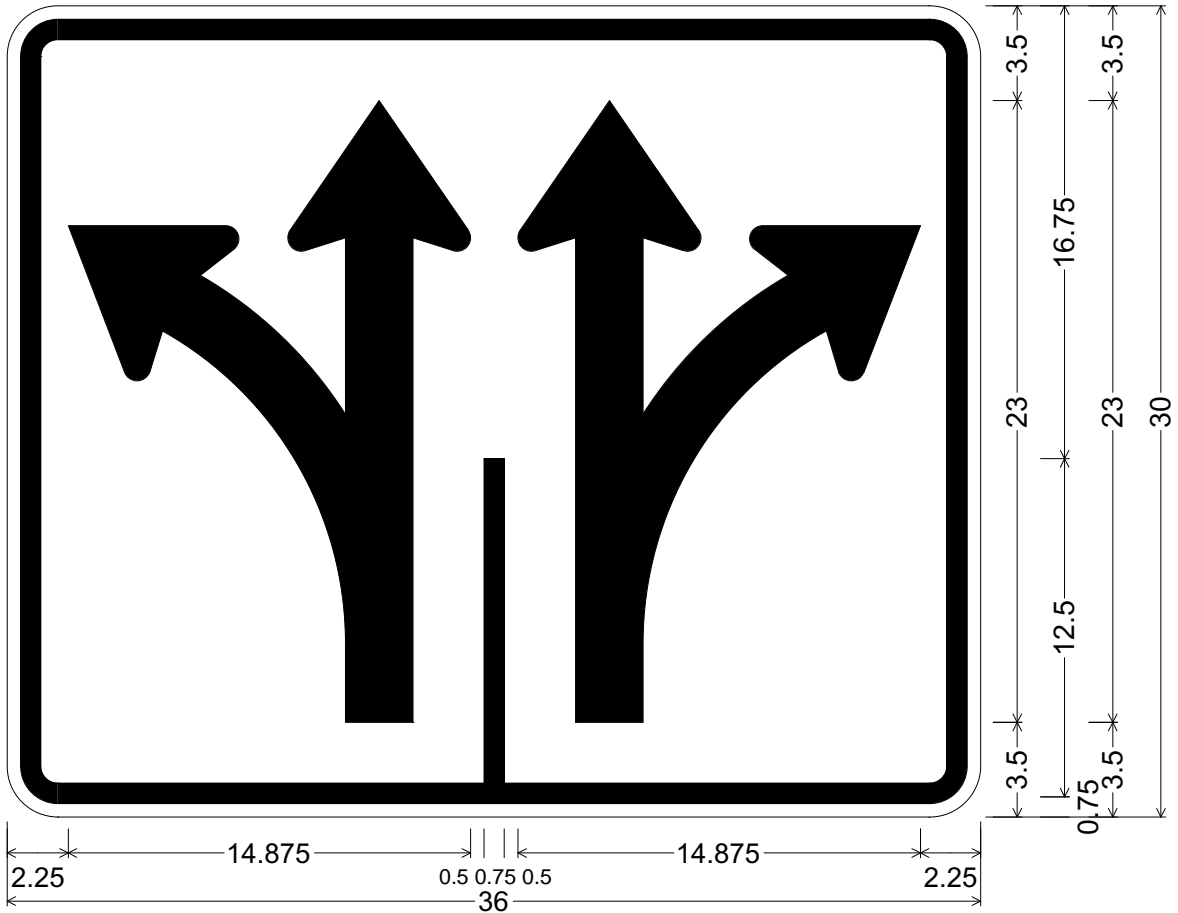


CODE: R3-8KQ

SIZE: 36" x 30"
STANDARD



R03-08KQ(36x30-STD)WHT;

1.875" Radius, 0.750" Border, 0.500" Indent, Black on White;

K2 - Arrow, 2.5" Stroke; Divider, 0.75" Stroke; Q2 - Arrow, 2.5" Stroke;

ALL DIMENSIONS ARE IN INCHES



COLORS:

ARROWS, LEGEND & BORDER - BLACK (NON-REFL)
BACKGROUND - WHITE (REFL)

ARIZONA DEPARTMENT OF TRANSPORTATION
TRAFFIC ENGINEERING GROUP

DRAWN:

L. LOPEZ

DATE:

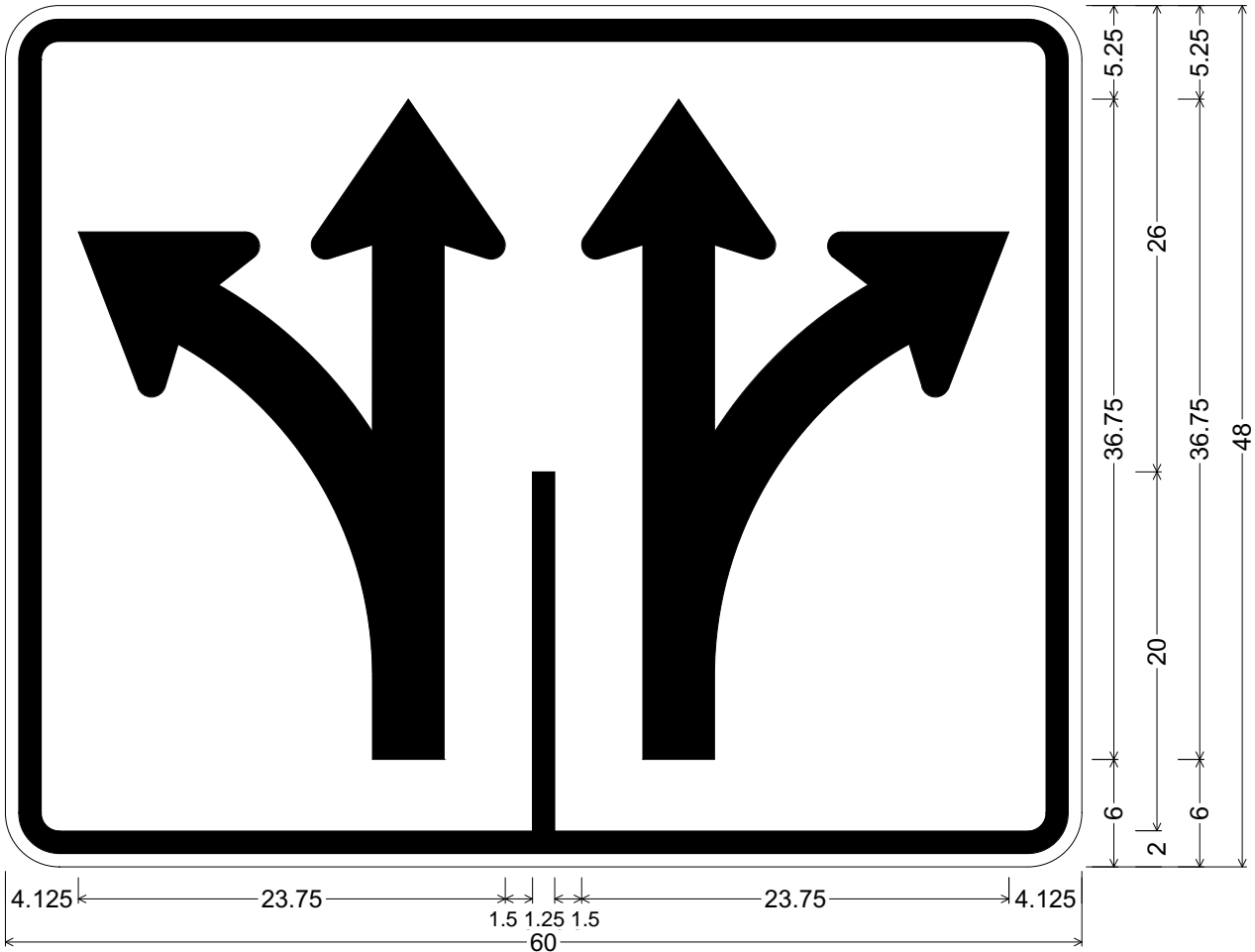
JULY / 2015

APPROVED:

SIGNATURE ON FILE

CODE: R3-8KQ

SIZE: 60" x 48"
SPECIAL



R03-08KQ(60x48-SPCL)WHT; 3.000" Radius, 1.250" Border, 0.750" Indent, Black on White;
K2 - Arrow, 4" Stroke; Divider, 1.25" Stroke; Q2 - Arrow, 4" Stroke;

ALL DIMENSIONS ARE IN INCHES



COLORS:

ARROWS, LEGEND & BORDER - BLACK (NON-REFL)
BACKGROUND - WHITE (REFL)

ARIZONA DEPARTMENT OF TRANSPORTATION
TRAFFIC ENGINEERING GROUP

DRAWN:

L. LOPEZ

DATE:

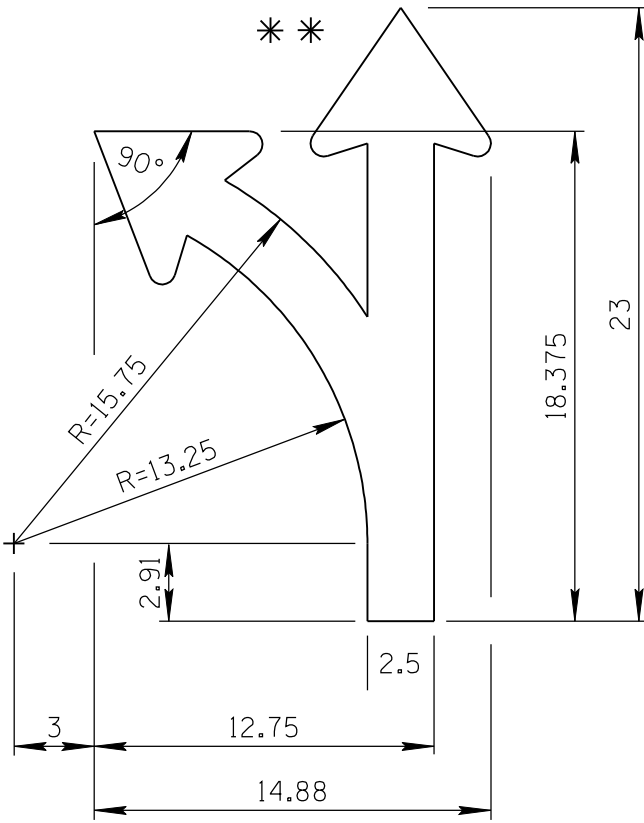
JULY / 2015

APPROVED:

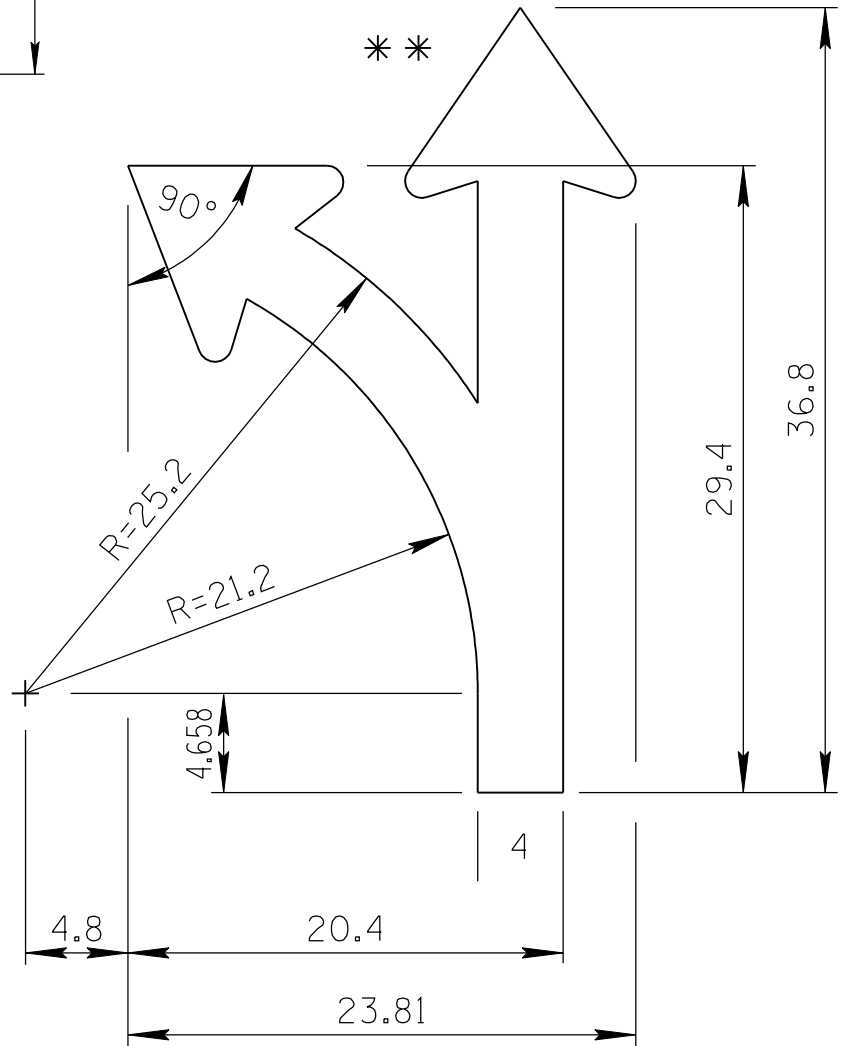
SIGNATURE ON FILE

ARROW CODE: K2 & Q2

Mirror for
Q2 Arrow
2.5" & 4"
Stroke



2.5" Stroke



4" Stroke

** For arrowhead dimensions, see
ADOT STANDARD ARROW HEAD DETAILS.

All dimensions are in inches. Length
and width dimensions can be rounded
to the nearest 1/8 inch.

ARIZONA DEPARTMENT OF TRANSPORTATION
TRAFFIC ENGINEERING GROUP

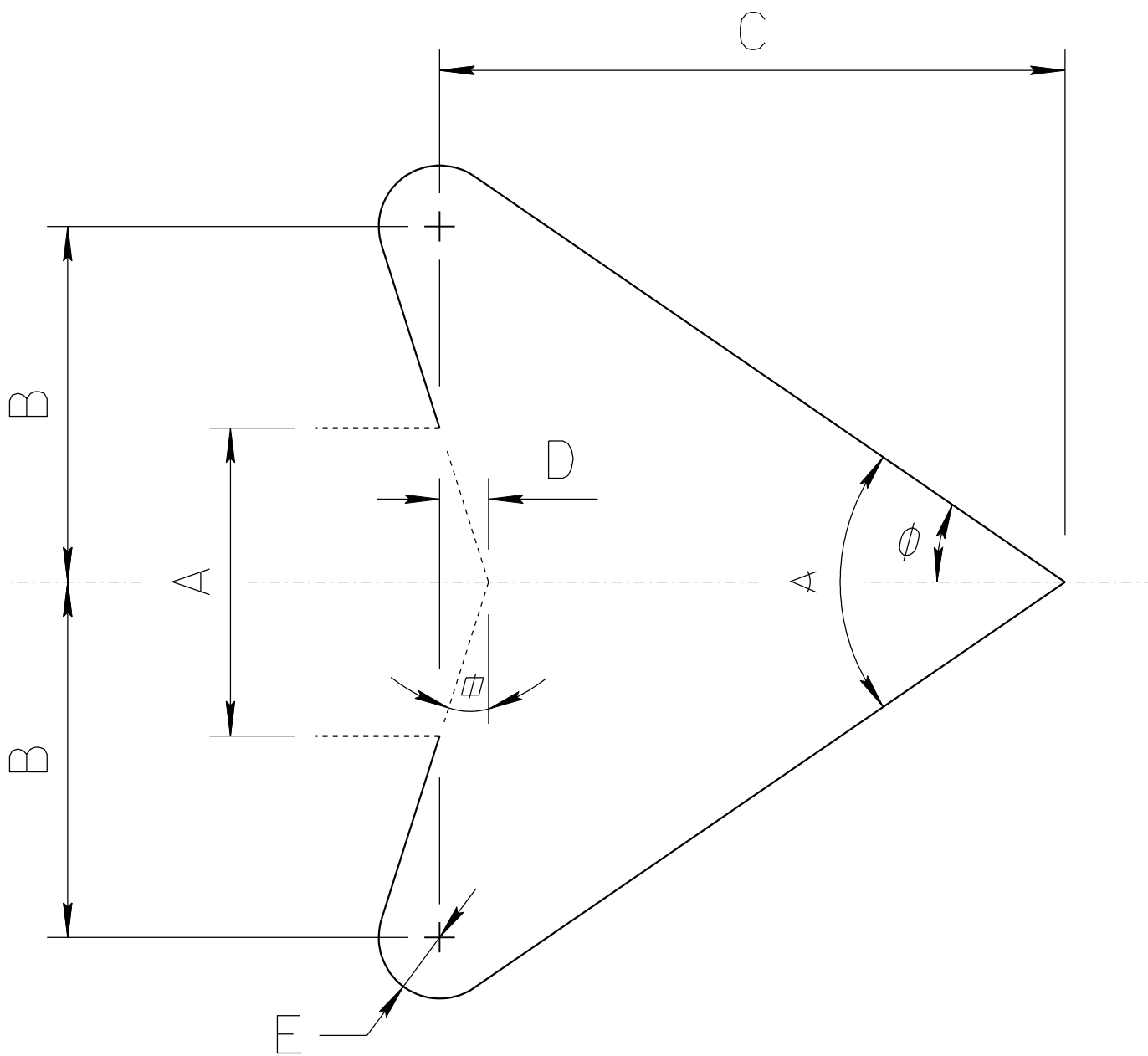
DRAWN:

L. LOPEZ

DATE:

JULY/2015

ADOT STANDARD ARROW HEAD DETAILS



$A = \text{Arrow Shaft Stroke Width}$

$B = 1.15 \times A$

$C = 2.025 \times A$

$D = 0.16169 \times A$

$E = 0.2 \times A$

$\alpha = 17.92^\circ$

$\phi = 34.519^\circ$

$\sphericalangle = 68.038^\circ$

ARIZONA DEPARTMENT OF TRANSPORTATION
TRAFFIC ENGINEERING GROUP

DRAWN:

L. LOPEZ

DATE:

JULY/2015