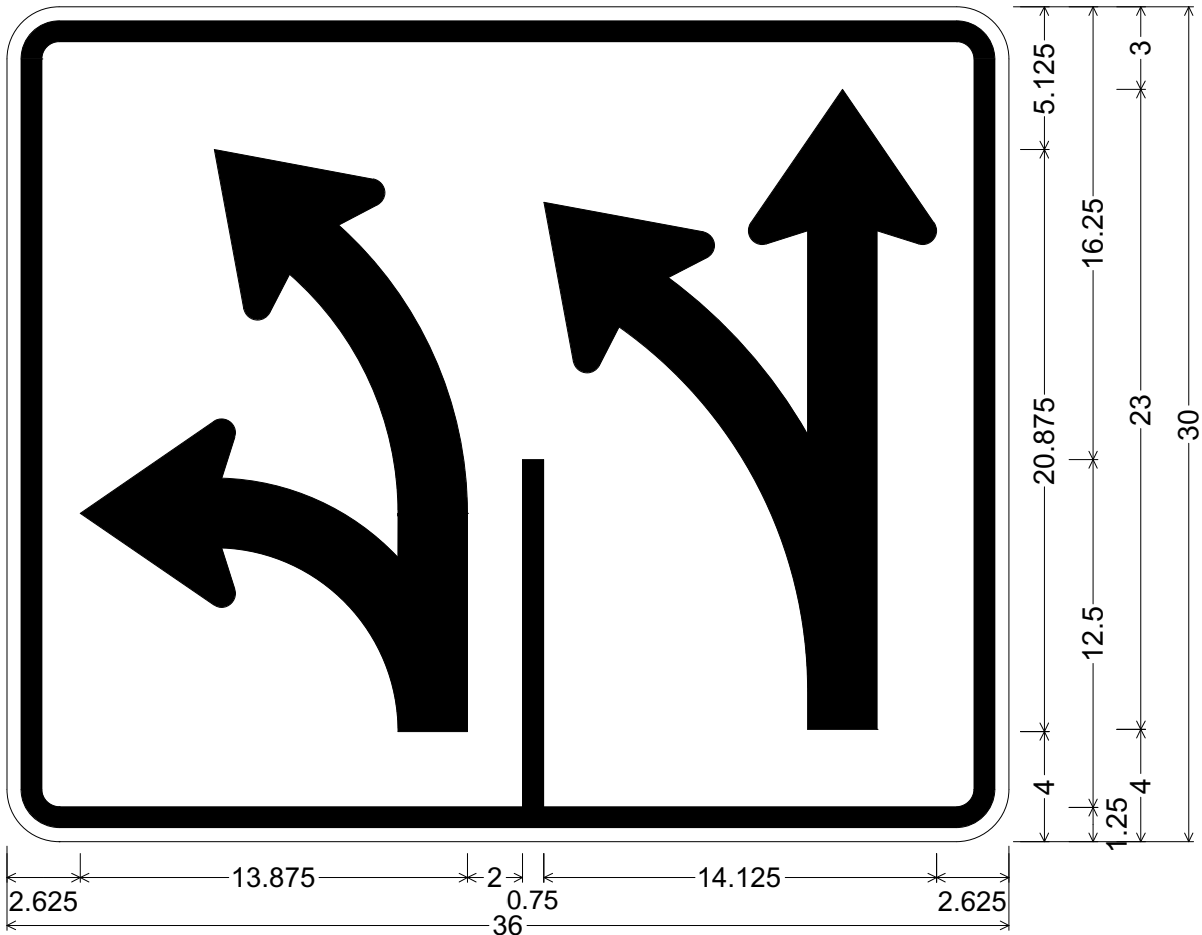


CODE: R3-8JK

SIZE: 36" x 30"
STANDARD



R03-08JK(36x30-STD)WHT;

1.875" Radius, 0.750" Border, 0.500" Indent, Black on White;

J - Arrow, 2.5" Stroke; Divider, 0.75" Stroke; K3 - Arrow, 2.5" Stroke;

ALL DIMENSIONS ARE IN INCHES



COLORS:

ARROWS & BORDER - BLACK (NON-REFL)
BACKGROUND - WHITE (REFL)

ARIZONA DEPARTMENT OF TRANSPORTATION
TRAFFIC ENGINEERING GROUP

DRAWN:

L. LOPEZ

DATE:

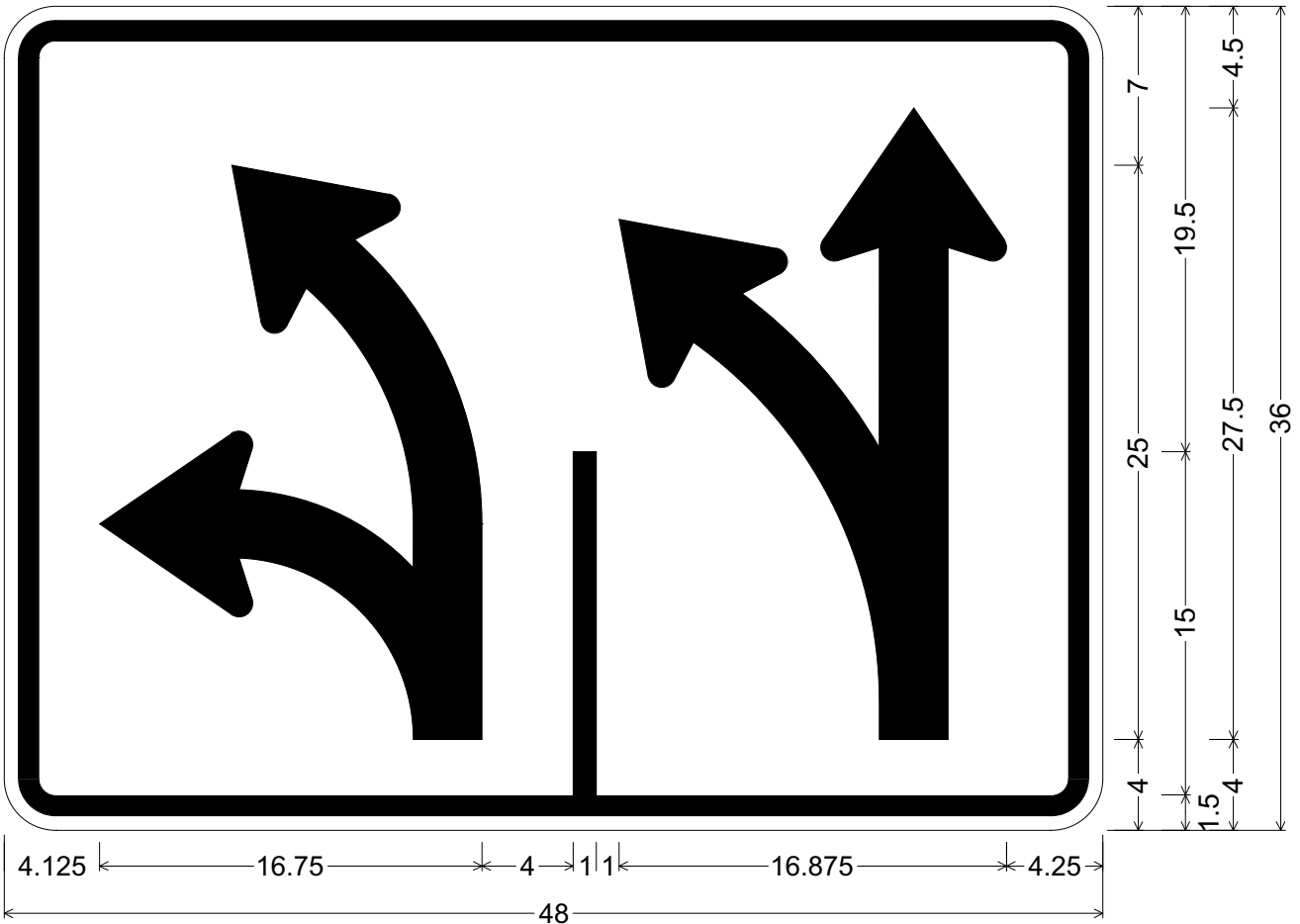
JULY/ 2015

APPROVED:

SIGNATURE ON FILE

CODE: R3-8JK

SIZE: 48" x 36"
SPECIAL



R03-08JK(48x36-SPCL)WHT;

2.250" Radius, 0.875" Border, 0.625" Indent, Black on White;

J - Arrow, 3" Stroke; Divider, 1" Stroke; K3 - Arrow, 3" Stroke;

ALL DIMENSIONS ARE IN INCHES



COLORS:

ARROWS & BORDER - BLACK (NON-REFL)
BACKGROUND - WHITE (REFL)

ARIZONA DEPARTMENT OF TRANSPORTATION
TRAFFIC ENGINEERING GROUP

DRAWN:

L. LOPEZ

DATE:

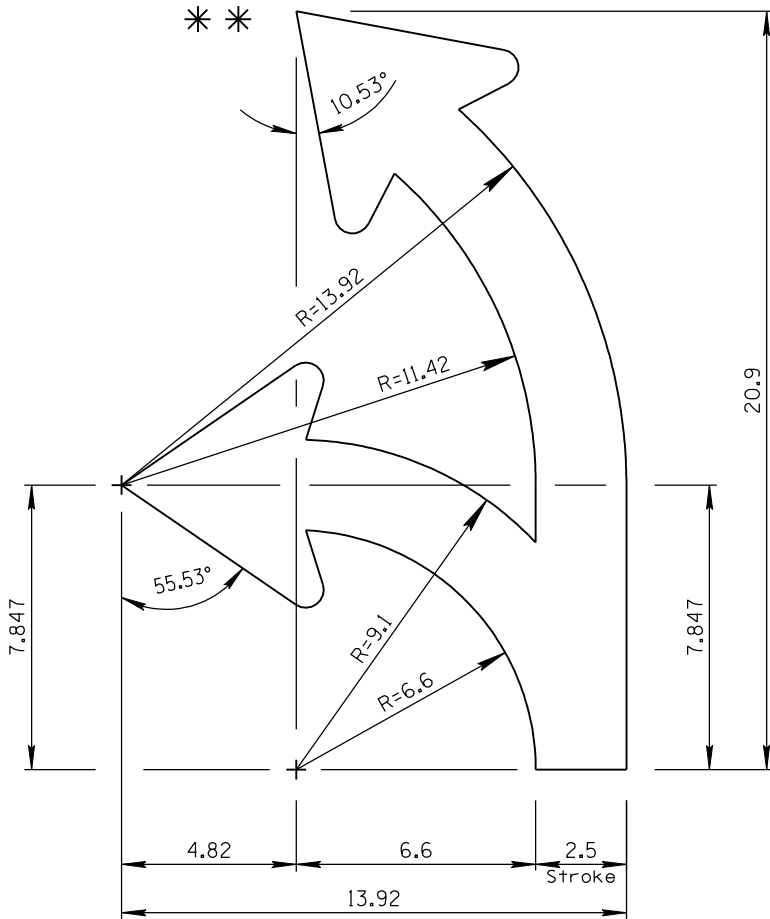
JULY / 2015

APPROVED:

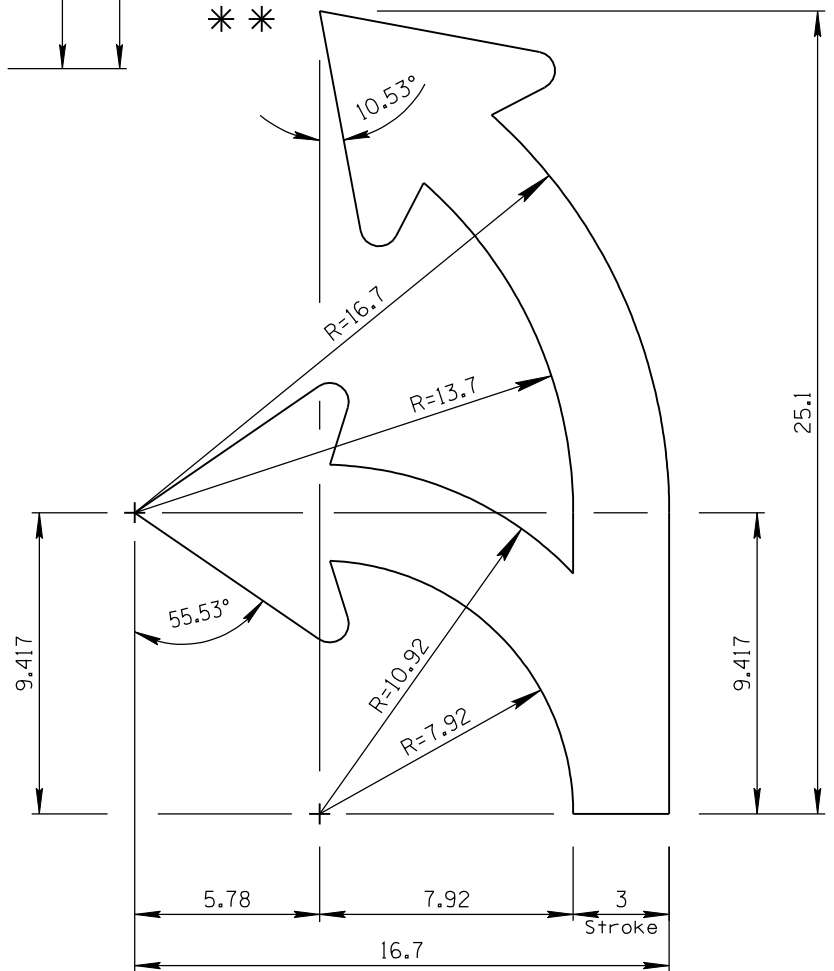
SIGNATURE ON FILE

ARROW CODE: J & P

Mirror for
P Arrow
2.5" & 3"
Stroke



2.5" Stroke



3" Stroke

** For arrowhead dimensions, see
ADOT STANDARD ARROW HEAD DETAILS.

All dimensions are in inches. Length
and width dimensions can be rounded
to the nearest 1/8 inch.

ARIZONA DEPARTMENT OF TRANSPORTATION
TRAFFIC ENGINEERING GROUP

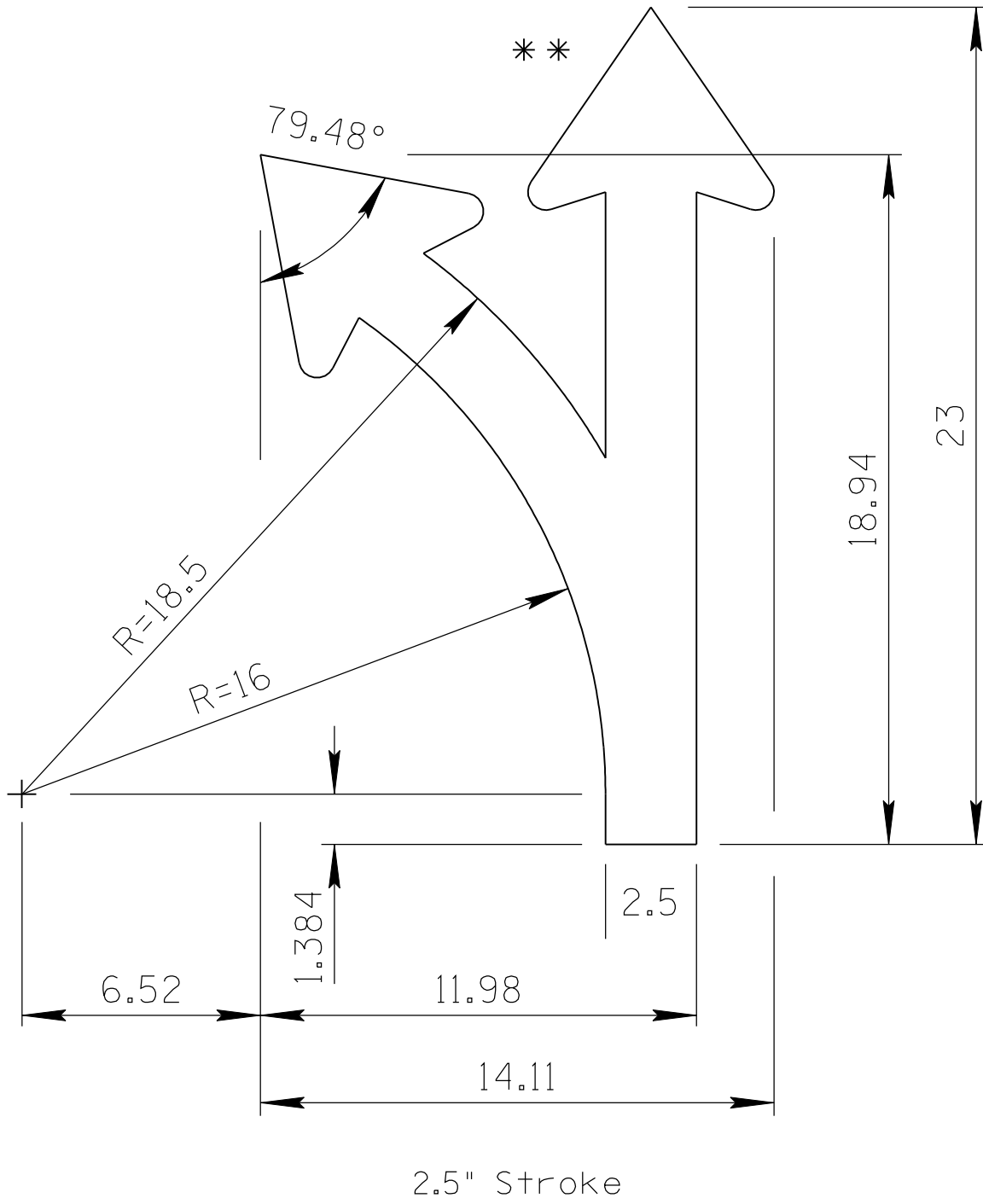
DRAWN:

L. LOPEZ

DATE:

JULY/2015

ARROW CODE: K3 & Q3
 Mirror for
 Q3 Arrow
 2.5"
 Stroke

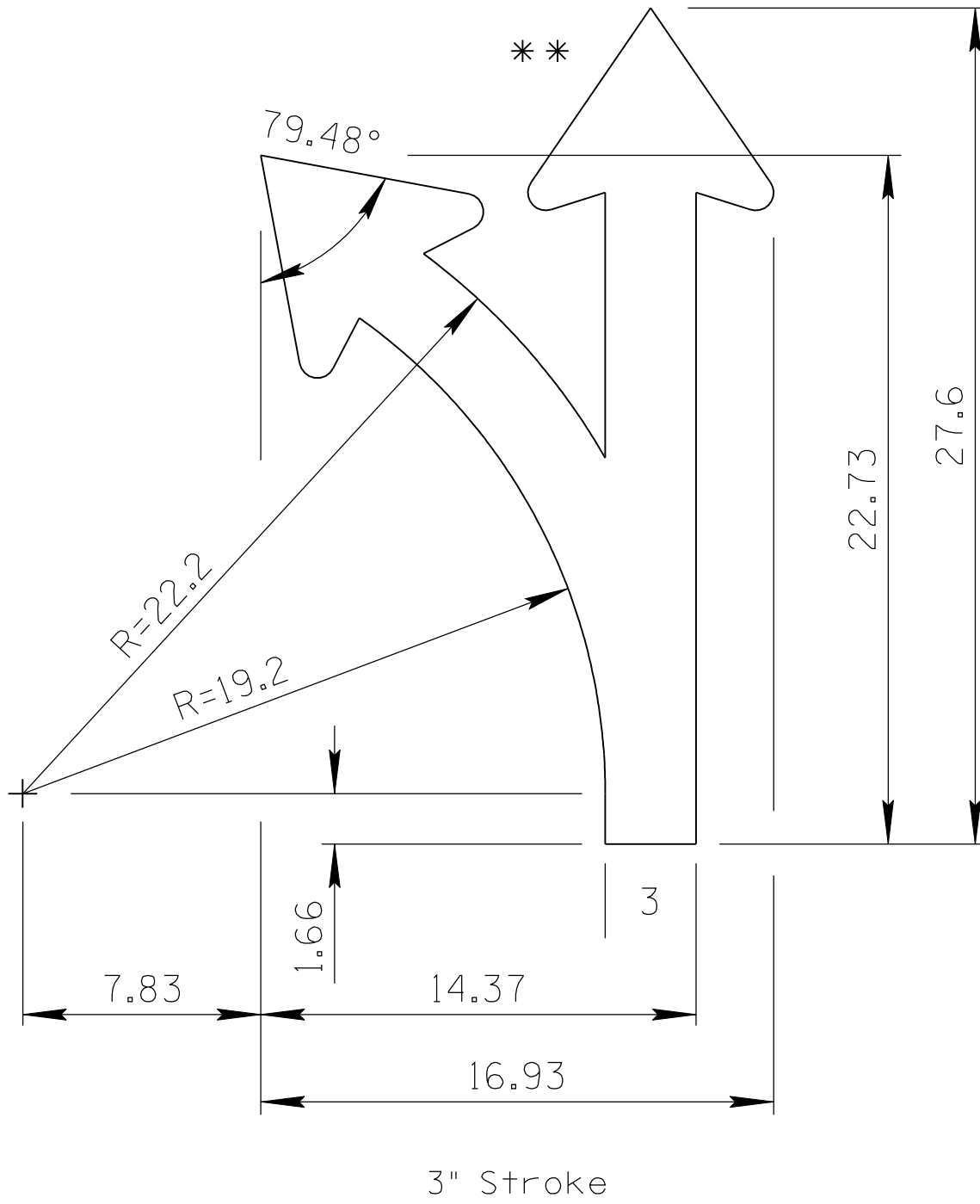


** For arrowhead dimensions, see
 ADOT STANDARD ARROW HEAD DETAILS.

All dimensions are in inches. Length
 and width dimensions can be rounded
 to the nearest 1/8 inch.

ARIZONA DEPARTMENT OF TRANSPORTATION TRAFFIC ENGINEERING GROUP	
DRAWN: L. LOPEZ	DATE: JULY/2015

ARROW CODE: K3 & Q3
 Mirror for
 Q3 Arrow
 3"
 Stroke

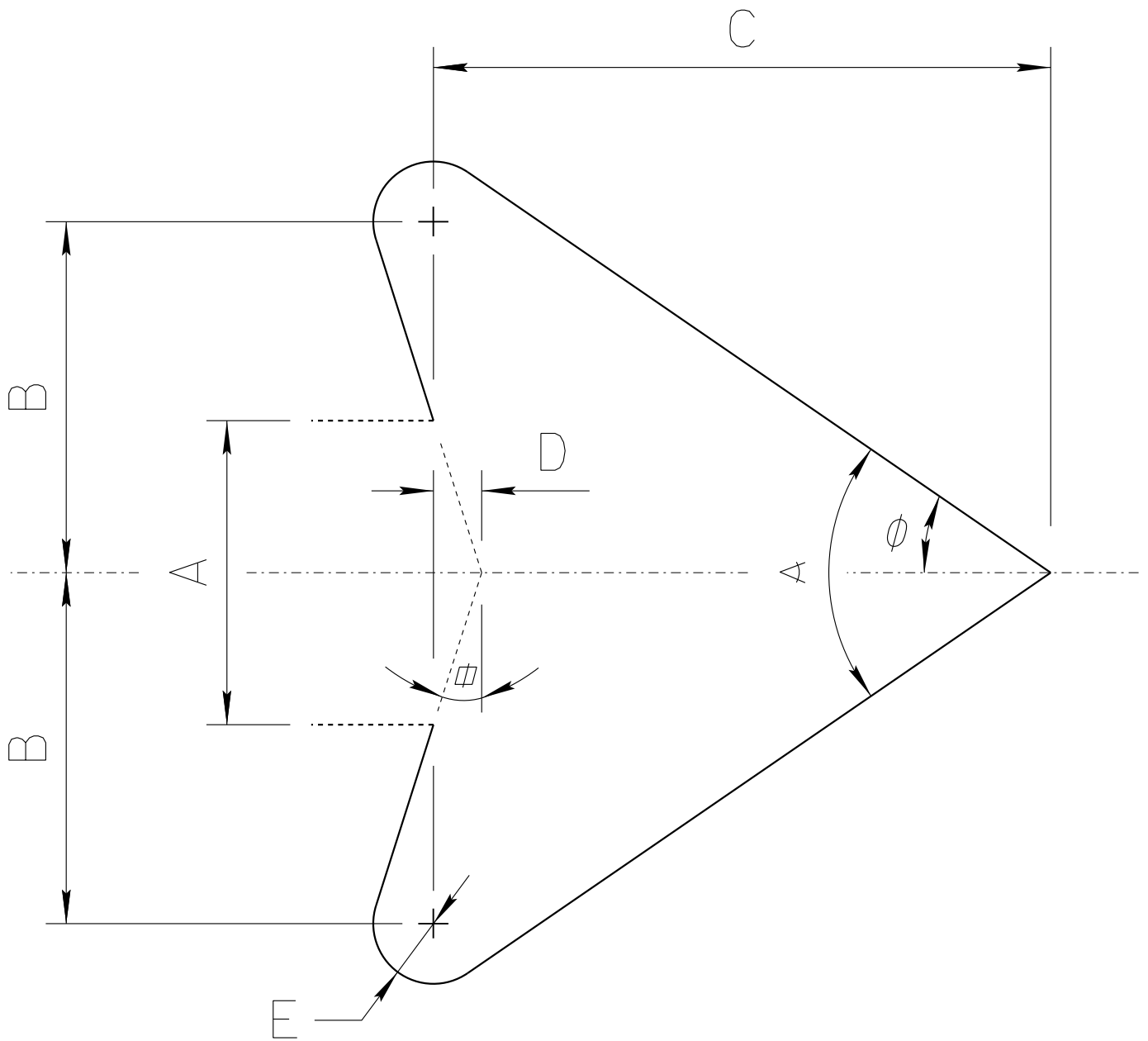


** For arrowhead dimensions, see
 ADOT STANDARD ARROW HEAD DETAILS.

All dimensions are in inches. Length
 and width dimensions can be rounded
 to the nearest $\frac{1}{8}$ inch.

ARIZONA DEPARTMENT OF TRANSPORTATION TRAFFIC ENGINEERING GROUP	
DRAWN: L. LOPEZ	DATE: JULY/2015

ADOT STANDARD ARROW HEAD DETAILS



$A =$ Arrow Shaft Stroke Width

$B = 1.15 \times A$

$C = 2.025 \times A$

$D = 0.16169 \times A$

$E = 0.2 \times A$

$\alpha = 17.92^\circ$

$\phi = 34.519^\circ$

$\alpha = 69.038^\circ$

ARIZONA DEPARTMENT OF TRANSPORTATION
TRAFFIC ENGINEERING GROUP

DRAWN:

L. LOPEZ

DATE:

AUGUST/2019