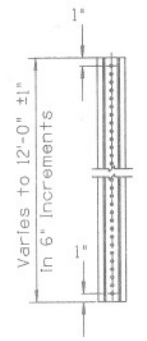
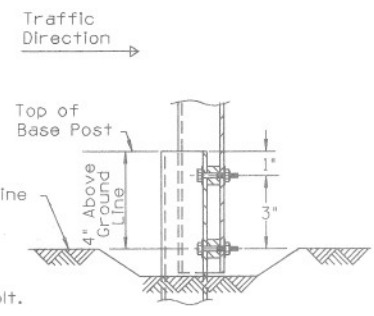
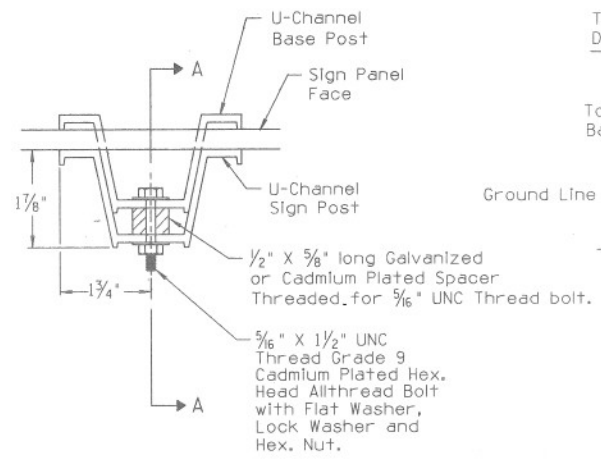


BASE POST AND
INSTALLATION

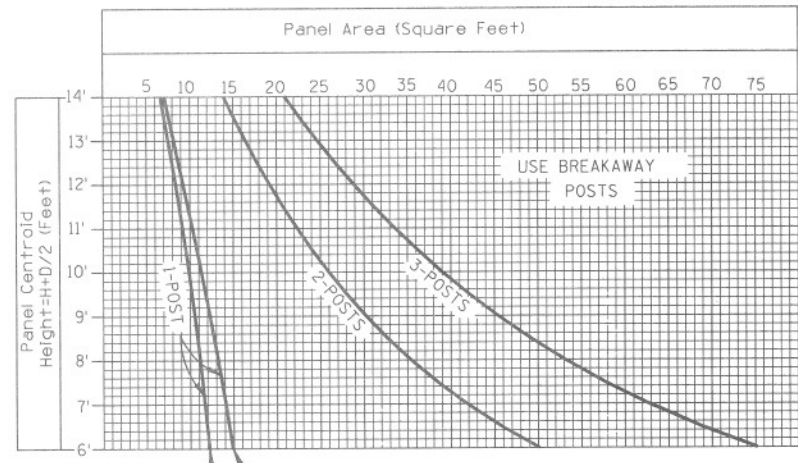
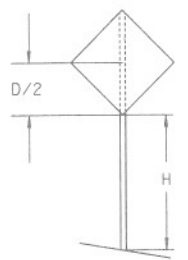


SIGN POST

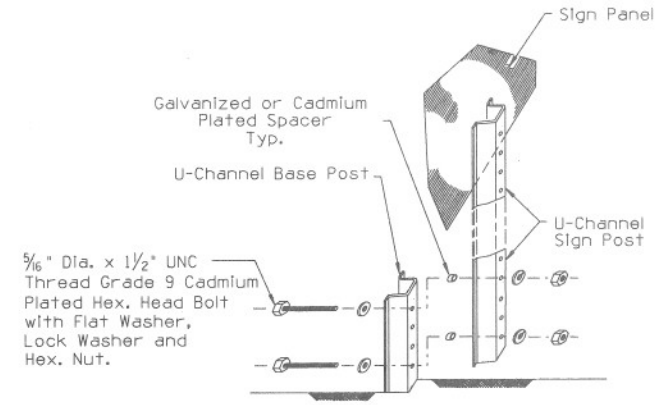


POST ASSEMBLY
SECT. A-A

U-CHANNEL SELECTION
Wind Speed = 60 MPH (3 Lbs. per Ft. Post)



D=3' D=5'
Limit Signs on one Post to 60 Inches or less in Width.



INSTALLATION PICTORIAL

DESIGN APPROVED <i>George P. Hatcher - 3/11/01</i>	STATE OF ARIZONA DEPARTMENT OF TRANSPORTATION DIVISION OF HIGHWAYS STANDARD DRAWINGS	2-90 REV 3-91
APPROVED FOR DISTRIBUTION <i>August V. Harts</i>	U-CHANNEL POST SELECTION AND INSTALLATION DETAILS	DRAWING NO. 4-S-4.18