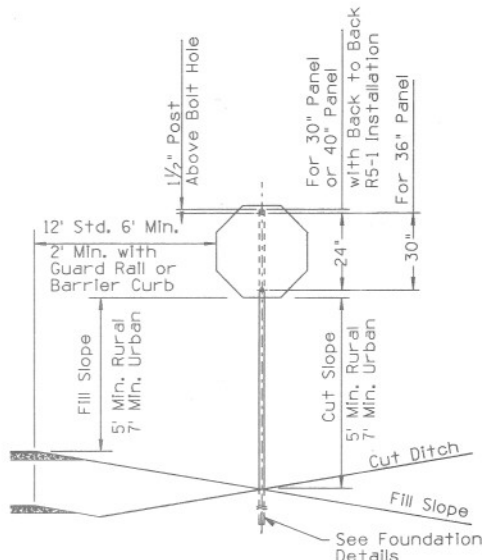
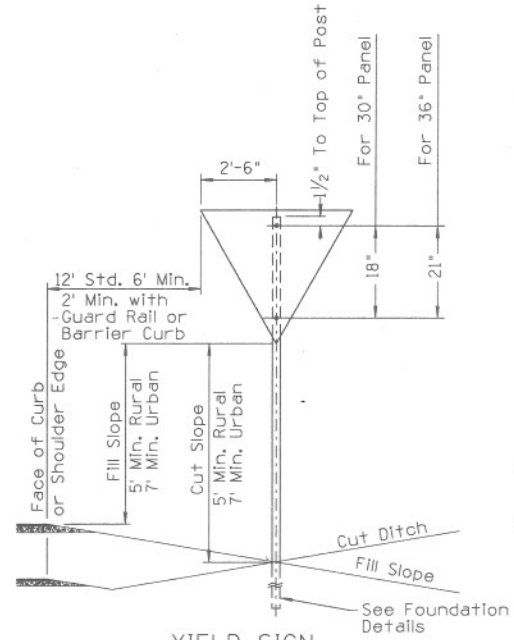


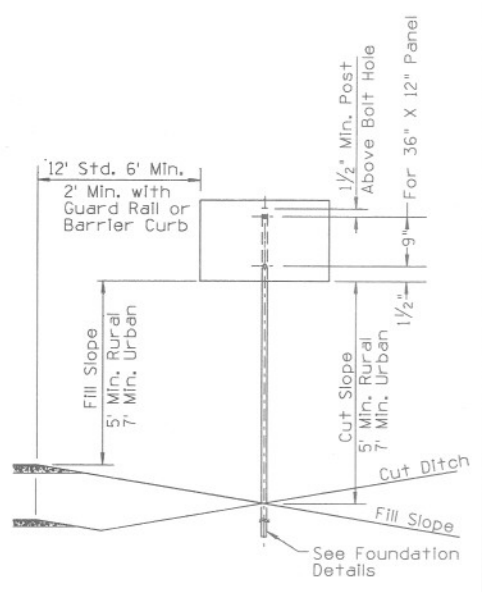
WARNING SIGN



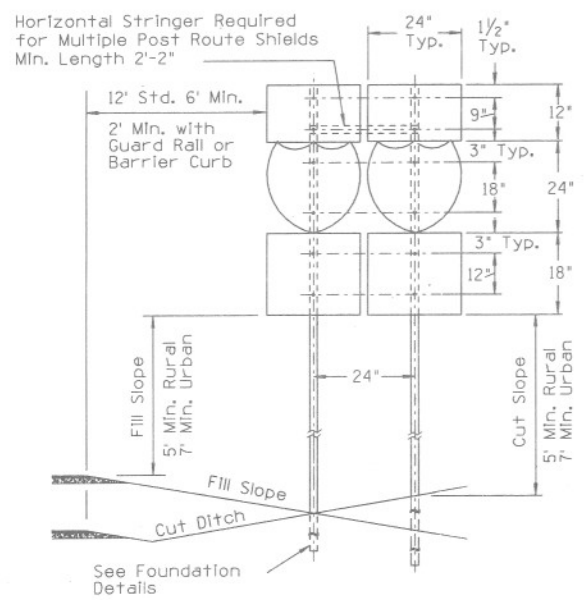
REGULATORY (STOP) SIGN



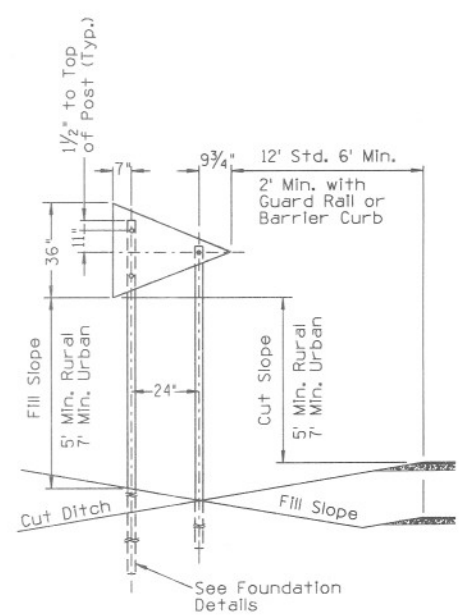
YIELD SIGN



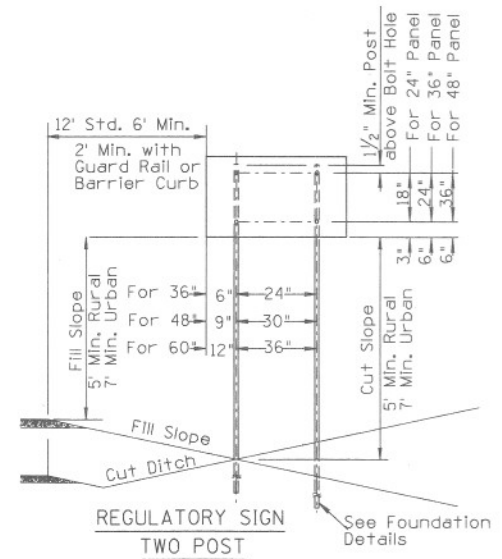
REGULATORY SIGN
SINGLE POST



MULTIPLE ROUTE MARKER



NO PASSING PENNANT



REGULATORY SIGN
TWO POST

- NOTES:
1. See FHWA Standard Highway Signs Booklet for Panel Bolt Hole. Spacing not shown.
 2. Determine Post Sizes from Square Tube or U-Channel Selection Chart.

DESIGN APPROVED <i>Robert L. Hatten</i> 9/21/90	STATE OF ARIZONA DEPARTMENT OF TRANSPORTATION DIVISION OF HIGHWAYS STANDARD DRAWINGS	9-90
APPROVED FOR DISTRIBUTION <i>August V. Hant</i> 7/24/90	OFFSETS, CLEARANCES AND MOUNTING DETAILS FOR SIGNS ON NON-FREEWAYS, RAMPS AND CROSSROADS	DRAWING NO. 4-S-4.14