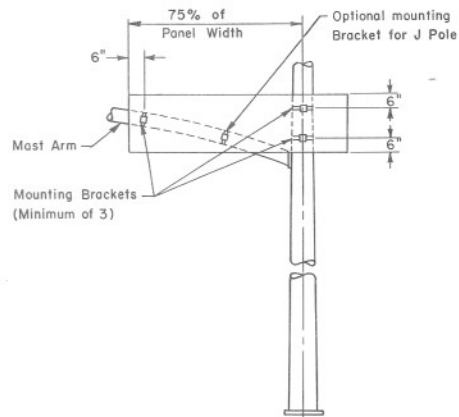
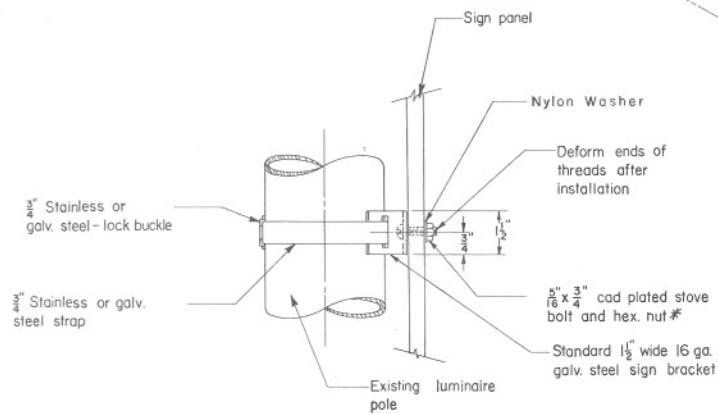
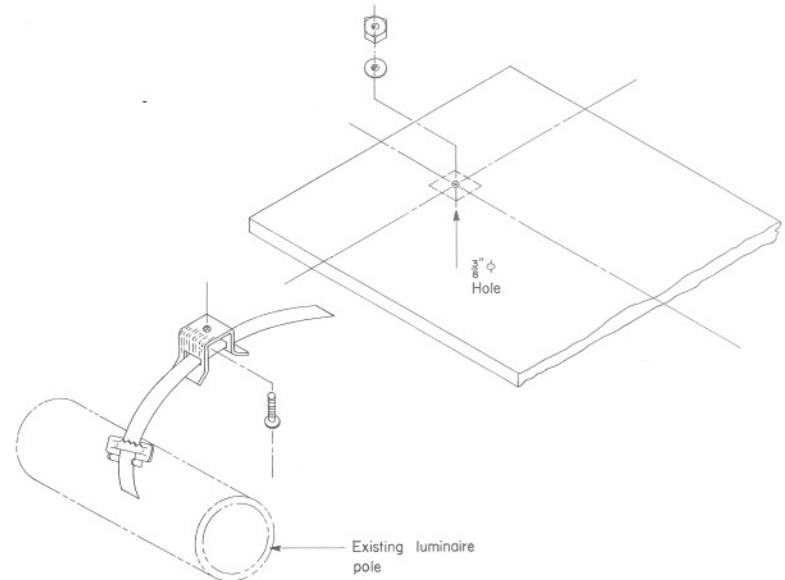


Typical Installation of Sign No. W13-5 or W13-6 on luminaire pole



D3 STREET NAME SIGN MOUNTING DETAIL ON SIGNAL POLE



SIGN MOUNTING BRACKET INSTALLATION

*Face of bolt, nut and washer shall be painted same color as panel

DESIGN APPROVED <i>Barbara Bowman</i> 6/12/74	STATE OF ARIZONA DEPARTMENT OF TRANSPORTATION DIVISION OF HIGHWAYS STANDARD DRAWINGS	REV. 7-23-78 6-86
APPROVED FOR DISTRIBUTION <i>James A. Miller</i> 8-28-86	SIGN INSTALLATION ON POLE	DRAWING NO. 4-S-4.10