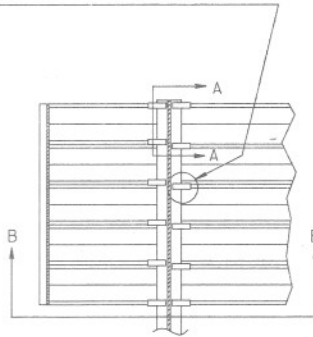


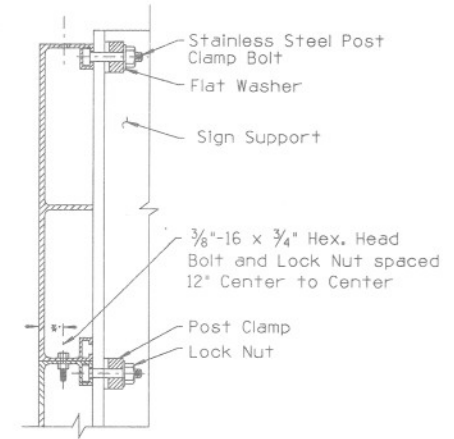
Wt./Lin. Foot 2.69 Lbs. Minimum
12" Extrusion

SECTION VIEW OF EXTRUSION

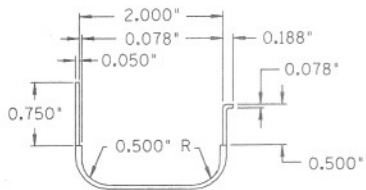
Install two Post Clips at each Junction of Extrusions and Vertical Support, on lower Extrusion where Extrusions join one another.



BACK ELEVATION OF SIGN PANEL

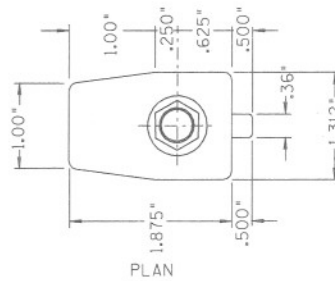


SECTION "A-A"
INSTALLATION DETAIL

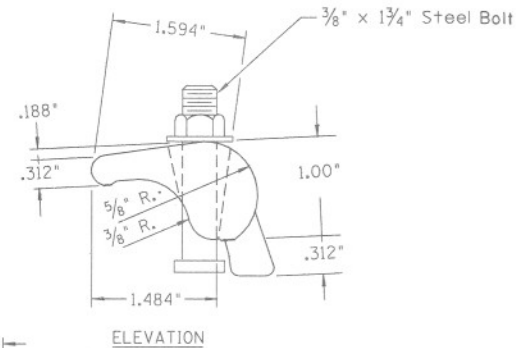


Wt./Lin. Foot = 0.276 Lbs.

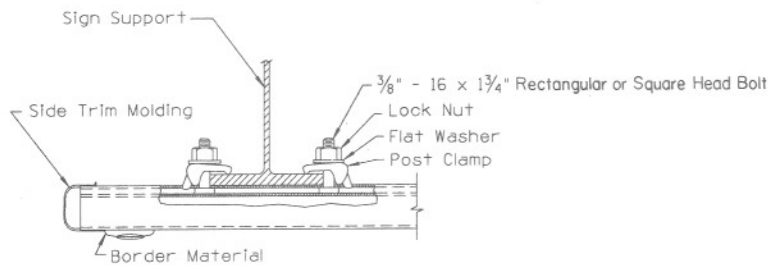
SIDE TRIM DETAIL



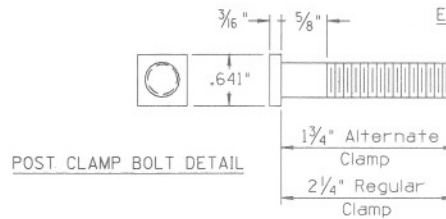
PLAN



ELEVATION



SECTION "B-B"
INSTALLATION DETAIL



POST CLAMP BOLT DETAIL

NOTE:
All Bolts, Washers and Lock Nuts shall be Stainless Steel.

DESIGN APPROVED <i>Reginald Hatten</i> 12/12/90	STATE OF ARIZONA DEPARTMENT OF TRANSPORTATION DIVISION OF HIGHWAYS STANDARD DRAWINGS	8695 REV. 10-97 12-90
APPROVED FOR DISTRIBUTION <i>August Hatten</i>	ALUMINUM EXTRUSION SIGN PANEL DETAILS	DRAWING NO. 4-S-3.01