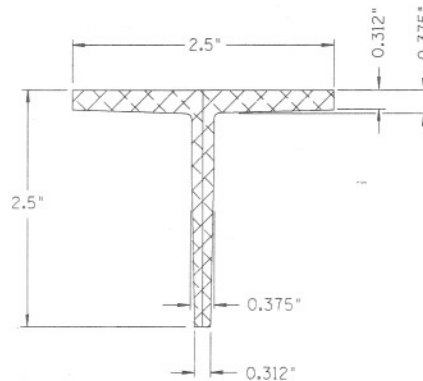
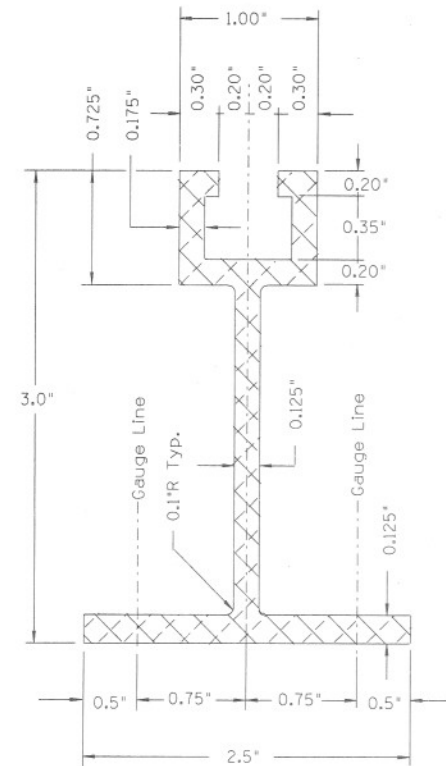


REAR EXCAVATION
ALUMINUM EXTRUSION SIGN PANEL

EXIT PANEL SUPPORT SPACING CHART		
PANEL WIDTH	DIMENSION A	DIMENSION B
7'	1'-0"	5'-0"
8'	1'-6"	5'-0"
9'	2'-0"	5'-0"
11'	2'-6"	6'-0"
14'	2'-6"	9'-0"
15'	3'-0"	9'-0"



ALUMINUM T SECTION



WINDBEAM CROSS SECTION

NOTES:

1. The Number Panel shall be mounted with two(2) Uprights so that its Right Edge is even with the Right Edge of the Parent Sign or reverse for Left Hand Exits.
2. Install two Post Clips at each Junction of Extrusions and vertical Support, one on upper Extrusion and one on lower Extrusion where Extrusions join one another.
3. The Exit Panel Support may be moved 6" if it conflicts with the Parent Sign Support.
4. Aluminum Supports shall be 6061-T6.

DESIGN APPROVED <i>Robert L. Hauth</i> 12/12/90	STATE OF ARIZONA DEPARTMENT OF TRANSPORTATION DIVISION OF HIGHWAYS STANDARD DRAWINGS	10-87 REV 12-90
APPROVED FOR DISTRIBUTION <i>August Hauth</i>	ALUMINUM EXTRUSION EXIT NUMBER PANEL DETAIL	4-S-3.01.1