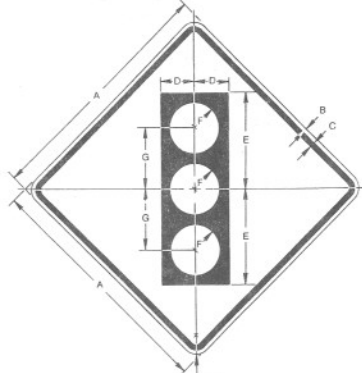


W3-2a

COLORS
 BORDER AND ARROW - BLACK (NON-REFL)
 SYMBOL - RED BORDER ON WHITE BACKGROUND (REFL)
 BACKGROUND - YELLOW (REFL)

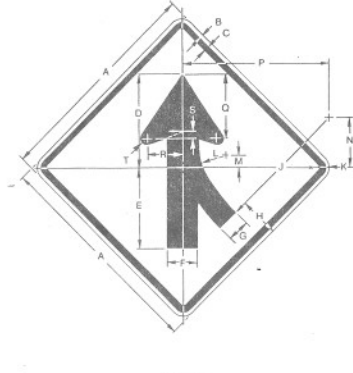
SIGN	A	B	C	D	E	F	G	H	J	K	L	M	N	P	Q	R
MIN	30	1/2	3/4	7 1/2	3 1/4	5	5/8	5/8	25	6 1/4	3	3 3/8	1/2	1 1/4	5/8	1 1/8
STD	36	5/8	3/4	9	4 1/2	6	3/4	3/8	28	7 1/2	3 3/8	3 3/4	5/8	1 1/8	3/4	2 1/4
SPECIAL	48	3/4	1 1/4	12	6	8	1	1/2	38	10	4 1/2	5	3/4	1 1/8	1	3



W3-3

COLORS
 SYMBOL & LEGEND - BLACK (NON-REFL)
 TOP CIRCLE - RED (REFL)
 BOTTOM CIRCLE - GREEN (REFL)
 BACKGROUND - YELLOW (REFL)

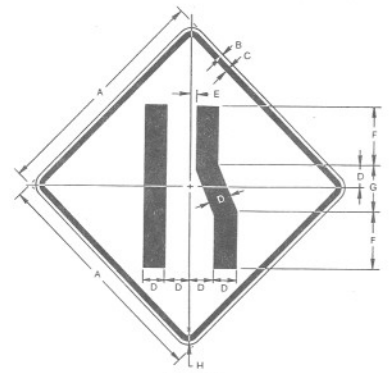
SIGN	A	B	C	D	E	F	G	H
BIKE	18	5/8	5/8	3	8	2 1/4	5	1 1/2
MIN	30	1/2	3/4	5	13 3/4	3 3/4	8 3/4	1 1/8
STD	36	5/8	3/4	5 3/4	15 3/4	4 1/4	10	2 1/4
SPECIAL	48	3/4	1 1/4	7 1/2	20	5	12 1/2	3



W4-1

COLORS
 LEGEND - BLACK (NON-REFL)
 BACKGROUND - YELLOW (REFL)

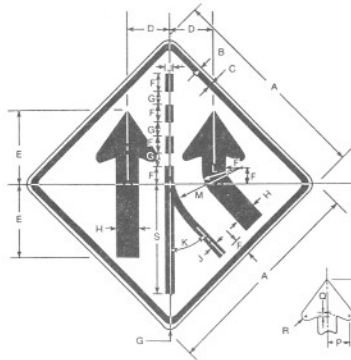
SIGN	A	B	C	D	E	F	G	H	J	K	L	M	N	P	Q	R	S	T
MIN	24	3/8	5/8	10 1/4	8 3/4	3 1/2	2 7/8	4 3/4	22 1/4	1 1/2	6 3/8	2 5/8	10 3/8	22 3/4	7 1/8	4	8 1/8	1 1/8
STD	30	1/2	3/4	13	11	4 3/4	3	5 1/4	26	1 7/8	8 3/8	3	13	27 3/8	8 3/8	5	15 1/8	1 1/8
EXPWY	36	5/8	3/4	15 3/4	13 1/4	5 1/4	3 5/8	6 3/8	33 1/4	2 1/4	9 5/8	4	15 3/8	33 1/4	10 3/8	6	17 1/8	1 1/8
FWY	48	3/4	1 1/4	20 1/2	17 1/2	7	4 3/4	8 3/8	43	3	12 3/8	5 1/4	20 3/8	44 3/8	14 3/8	8	17 1/8	1 3/8



W4-2R

COLORS
 LEGEND - BLACK (NON-REFL)
 BACKGROUND - YELLOW (REFL)

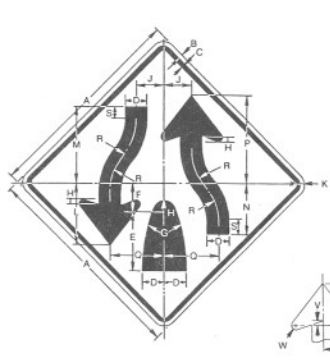
SIGN	A	B	C	D	E	F	G	H
MIN	30	1/2	3/4	3 3/8	10 3/8	8 3/8	6 3/8	1 1/8
STD	36	5/8	3/4	4	11	10	8	2 1/4
EXPWY	36	5/8	3/4	4	11	10	8	2 1/4
FWY	48	3/4	1 1/4	5 1/4	13 3/4	12 3/4	10 3/4	3



W4-3

COLORS
 LEGEND - BLACK (NON-REFL)
 BACKGROUND - YELLOW (REFL)

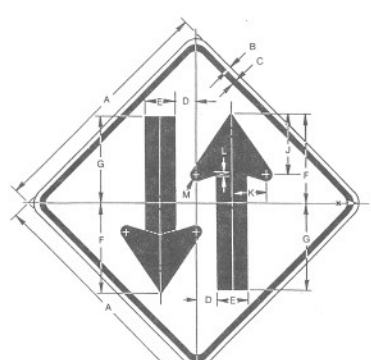
SIGN	A	B	C	D	E	F	G	H	J	K	L	M	N	P	Q	R	S
MIN	30	1/2	3/4	6 1/4	10 3/4	2 1/2	1 3/4	3 1/4	1 1/4	4 5/8	5 3/8	2 3/8	7 1/8	4	9 1/8	3 1/8	1 5/8
STD	36	5/8	3/4	7 1/2	12 3/4	3	2 1/4	4 1/4	1 1/2	4 5/8	7 1/8	1 1/2	8 3/8	4 3/8	10 3/8	3 1/8	1 3/8
EXPWY	48	3/4	1 1/4	10	17	4	3 1/2	5 1/2	2	4 5/8	9 1/2	1 1/2	11 3/8	5 3/8	13 3/8	4 3/8	1 3/8
FWY	48	3/4	1 1/4	10	17	4	3 1/2	5 1/2	2	4 5/8	9 1/2	1 1/2	11 3/8	5 3/8	13 3/8	4 3/8	1 3/8



W6-2

COLORS
 LEGEND - BLACK (NON-REFL)
 BACKGROUND - YELLOW (REFL)

SIGN	A	B	C	D	E	F	G	H	J	K	L	M	N	P	Q	R	S	T	U	V	W
MIN	30	1/2	3/4	3 3/8	8 3/8	4 1/8	2 1/8	1 1/8	4 1/8	1 1/8	10 1/8	11 1/8	7 1/8	13 1/8	7 1/8	8 3/8	2 1/8	6 1/8	1 1/8	1 1/8	1 1/8
STD	36	5/8	3/4	4	10	5	30	2	5	2 1/4	12	14	9 1/2	16 1/2	9 1/2	10	2 1/2	8 1/2	1 1/8	1 1/8	1 1/8
EXPWY	36	5/8	3/4	4	10	5	30	2	5	2 1/4	12	14	9 1/2	16 1/2	9 1/2	10	2 1/2	8 1/2	1 1/8	1 1/8	1 1/8
SPECIAL	48	3/4	1 1/4	5 1/4	13 1/4	6 3/4	39 3/4	2 3/4	6 3/4	3	16	18 1/2	12 1/2	22	12 1/2	13 1/2	3 1/2	10 3/4	1 3/8	1 3/8	1 3/8
SPECIAL	60	1	1 1/2	6 1/2	16 3/4	8 1/4	50	3 1/4	8 1/4	3 1/2	20	23 1/2	15 1/2	27 1/2	15 1/2	16 3/4	4 1/4	13 3/4	1 1/2	1 1/2	1 1/2



W6-3

COLORS
 LEGEND - BLACK (NON-REFL)
 BACKGROUND - YELLOW (REFL)

SIGN	A	B	C	D	E	F	G	H	J	K	L	M
MIN	24	3/8	5/8	2	3	9	8 1/2	1 1/2	6 1/4	3 1/2	2 1/8	4 3/8
STD	30	1/2	3/4	2 3/4	3 3/4	11 1/4	10 3/4	1 3/4	7 3/8	4 3/8	3 1/8	5 1/8
EXPWY	36	5/8	3/4	2 5/8	3 1/2	13 1/2	12 3/4	2 1/4	8 1/8	5 1/8	3 1/8	6 1/8
SPECIAL	48	3/4	1 1/4	3 3/4	4 1/2	17	17	3	10 3/8	6 3/8	4 3/8	7 1/8
SPECIAL	60	1	1 1/2	4 3/4	5 1/2	22 1/4	21 1/4	3 3/4	12 3/8	8 3/8	6 3/8	9 1/8

NOTES:
 1) Dimensions are nominal inches.

DATE: _____
 DESIGNED BY: _____
 CHECKED BY: _____
 DRAWN BY: _____

DESIGN APPROVED: *[Signature]* 10/28
 APPROVED FOR DISTRIBUTION: *[Signature]* 10/11

STATE OF ARIZONA
 DEPARTMENT OF TRANSPORTATION
 DIVISION OF HIGHWAYS
 STANDARD DRAWINGS

WARNING SIGNS

DRAWING NO. 4-S-2.16

REV. _____