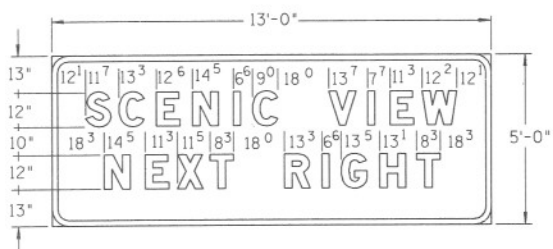
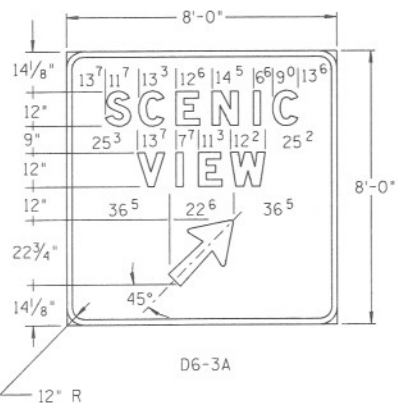


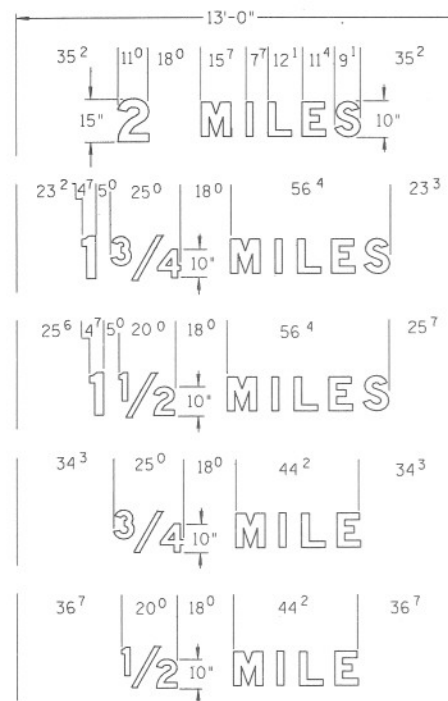
D6-4



D6-3



D6-3A



NOTES: All Radii 6" except where noted otherwise.
 All Borders 2".
 All Letters and Numerals are "D" Series Modified.
 All Background to be Reflectorized Blue.
 A Dimension shown as 12¹=12¹/₈ Inches.

DESIGN APPROVED <i>Robert J. Hutto</i> 12/12/90	STATE OF ARIZONA DEPARTMENT OF TRANSPORTATION DIVISION OF HIGHWAYS STANDARD DRAWINGS	6-74 REV. 11-74 12-90
APPROVED FOR DISTRIBUTION <i>August Harty</i>	SCENIC VIEW SIGN FORMAT	DRAWING NO 4-S-2.03