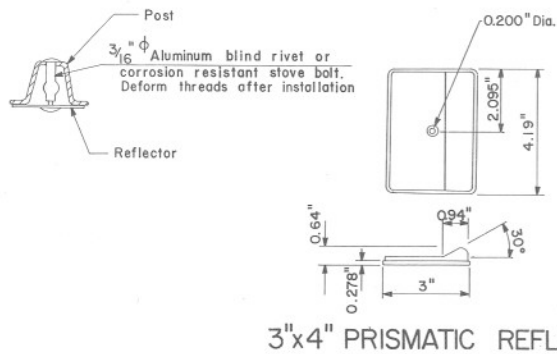


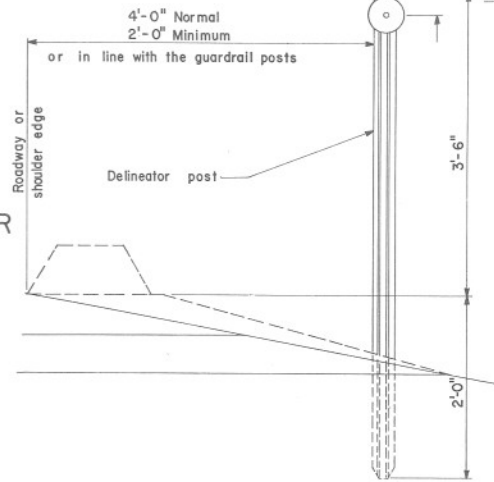
SINGLE WHITE OR SINGLE YELLOW DELINEATOR

DOUBLE WHITE OR DOUBLE YELLOW DELINEATOR

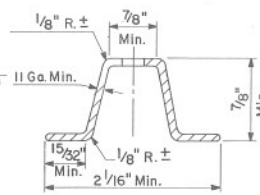
360° DELINEATOR P.V.C. PIPE DETAIL



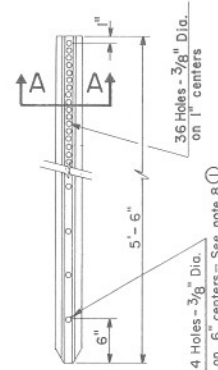
3"x4" PRISMATIC REFLECTOR



TYPICAL DELINEATOR INSTALLATION

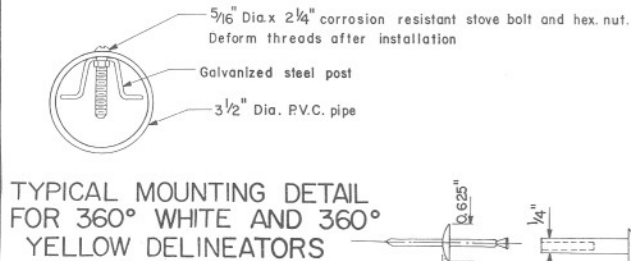


SECTION A-A

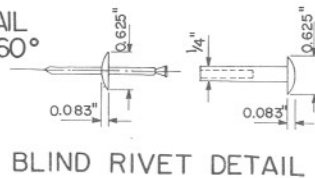


GALVANIZED STEEL POST

- NOTES:**
1. Reflective devices shall be plastic prismatic reflectors (3/4" diameter circular or 3" x 4" rectangular), reflective sheeting (4" x 4" high reflectivity reflective sheeting) or 4" wide high reflectivity reflective sheeting encircling P.V.C. pipe.
 2. Prismatic reflectors shall be crystal or yellow as required and shall conform to section 1008 of the Standard Specifications.
 3. High reflectivity sheeting shall be silver-white or yellow as required and shall conform to section 1007 of the Standard Specifications.
 4. Base plates for reflective sheeting type reflectors shall be fabricated from .063" thick 3003-H14, 5052-H38 or 6061-T6 aluminum alloy etched on both sides.
 5. Reflective sheeting type reflectors shall be oriented in a square configuration.
 6. Pipe for 360° delineators shall be white or yellow P.V.C. pipe with an outside diameter of 3.5" minimum wall thickness of .108". P.V.C. pipe shall be clean.
 7. Steel posts shall conform to ASTM A499-81 Grade 60, or ASTM A570 Grade 1080 or ASTM-A570, Grade 60, and shall weigh 2.00 lbs./ft. with a weight tolerance of ± 5%. Posts shall be hot-dipped galvanized in accordance with ASTM-A123.
 8. Posts may be punched the full length with 3/8" diameter holes at 1" centers as an acceptable alternate to hole spacing shown.



TYPICAL MOUNTING DETAIL FOR 360° WHITE AND 360° YELLOW DELINEATORS



BLIND RIVET DETAIL

DESIGN APPROVED <i>[Signature]</i> 6/17/87	STATE OF ARIZONA DEPARTMENT OF TRANSPORTATION DIVISION OF HIGHWAYS STANDARD DRAWINGS	REV. 7-86 7-87 05-88
APPROVED FOR DISTRIBUTION <i>[Signature]</i> 8/28/87	DELINEATOR DETAILS	DRAWING NO. 4-M-4.01