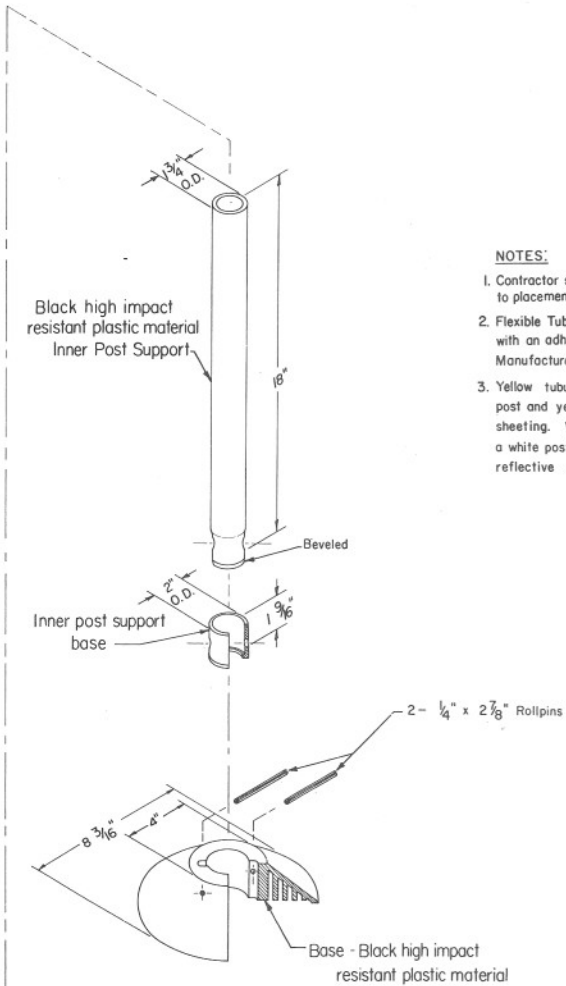
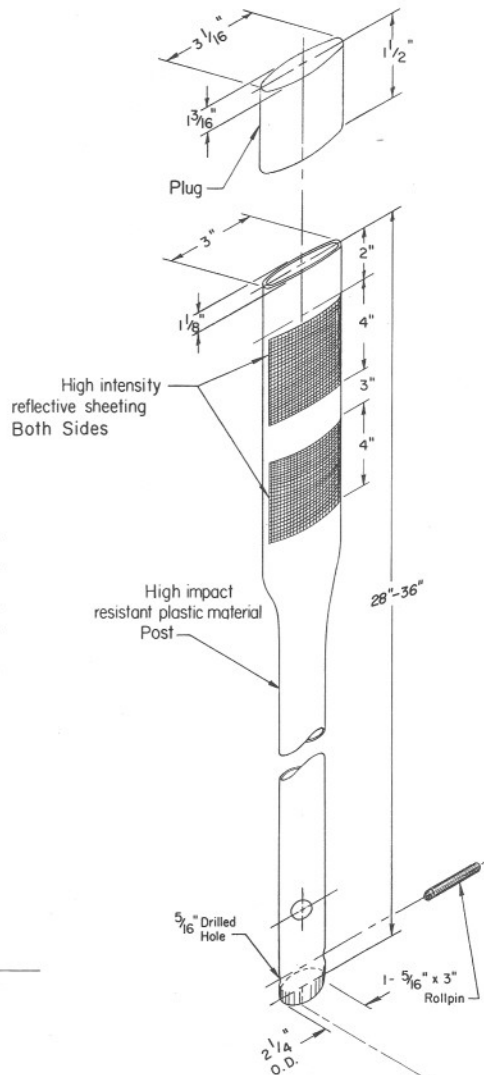


DETAIL "A"



DETAIL "B"

NOTES:

1. Contractor shall clean roadway surface prior to placement of Flexible Tubular Marker.
2. Flexible Tubular Markers shall be installed with an adhesive as per tubular marker Manufacturer's Specifications.
3. Yellow tubular markers shall have a yellow post and yellow high intensity reflective sheeting. White tubular markers shall have a white post and white high intensity reflective sheeting.

DESIGN APPROVED <i>[Signature]</i> 10/18/88	STATE OF ARIZONA DEPARTMENT OF TRANSPORTATION DIVISION OF HIGHWAYS STANDARD DRAWINGS	REV.
APPROVED FOR DISTRIBUTION <i>[Signature]</i> 10/18/88	FLEXIBLE TUBULAR MARKER DETAIL	DRAWING NO. 4-M-2.06