

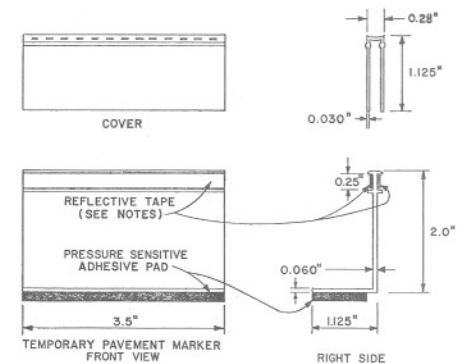
**NOTES:**

MARKER TYPES SHALL BE AS FOLLOWS:

1. TYPE Y-YELLOW OPAQUE BODY AND COVER WITH YELLOW REFLECTIVE TAPE ON BOTH SIDES.
2. TYPE W-WHITE OPAQUE BODY AND COVER WITH WHITE REFLECTIVE ON ONE SIDE.

INSTALLATION INSTRUCTIONS:

1. THE TEMPORARY PAVEMENT MARKER WITH PLASTIC COVER, SHALL BE PLACED ON EXISTING STRIPING PRIOR TO ANY WORK BEING DONE ON THE PAVEMENT.
2. TEMPORARY PAVEMENT MARKERS SHALL BE PLACED WITH REFLECTIVE SIDE FACING ON COMING TRAFFIC.
3. AFTER THE ASPHALT AND CHIPS ARE APPLIED TO THE PAVEMENT, REMOVE THE PLASTIC COVER TO EXPOSE THE REFLECTIVE TAPE.



TEMPORARY PAVEMENT MARKER AND COVER DETAIL

DESIGN APPROVED <i>Barley Bonner</i> 1/30/80	STATE OF ARIZONA DEPARTMENT OF TRANSPORTATION DIVISION OF HIGHWAYS STANDARD DRAWINGS	REV. 2-86
APPROVED FOR DISTRIBUTION <i>James A. Miller</i> 5-29-86	TEMPORARY PAVEMENT MARKERS FOR CHIP SEAL PROJECTS	DRAWING NO. 4-M-2.05