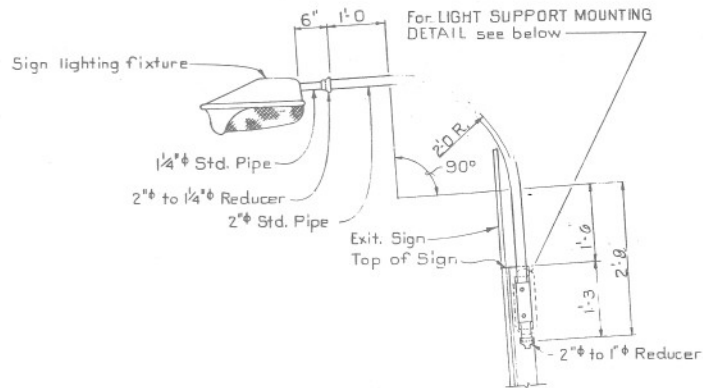


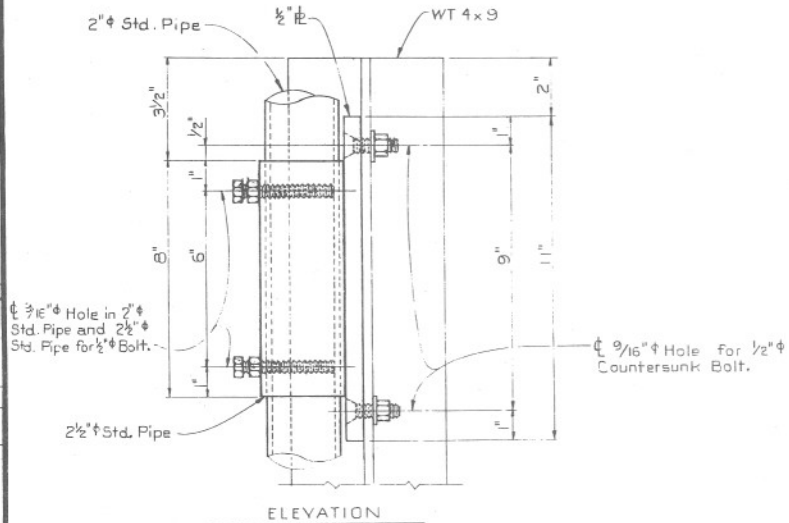
OVERHEAD LIGHT SUPPORT DETAIL

(Detail shown for Standard Sign Installation
without 2'-0"x9'-0" Exit Sign Installation)

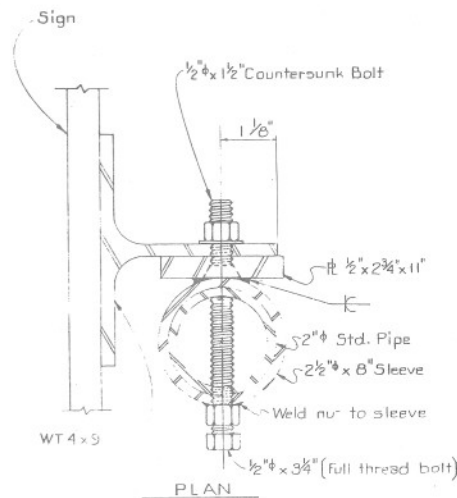


OVERHEAD LIGHT SUPPORT DETAIL

(Detail shown for Standard Sign Installation
when 2'-0"x9'-0" Exit Sign is installed)



LIGHT SUPPORT MOUNTING DETAILS



DESIGN APPROVED <i>F.S. Davis</i> 11-20-85	STATE OF ARIZONA DEPARTMENT OF TRANSPORTATION DIVISION OF HIGHWAYS STANDARD DRAWINGS	REV 8-86 5-87
APPROVED FOR DISTRIBUTION <i>James A. Smith</i>	CANTILEVER SIGN OVERHEAD LIGHT SUPPORT MOUNTING DETAILS	DRAWING NO. 2-S-5.26