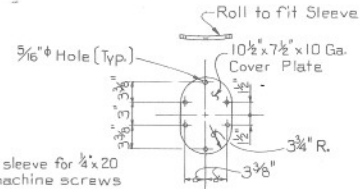


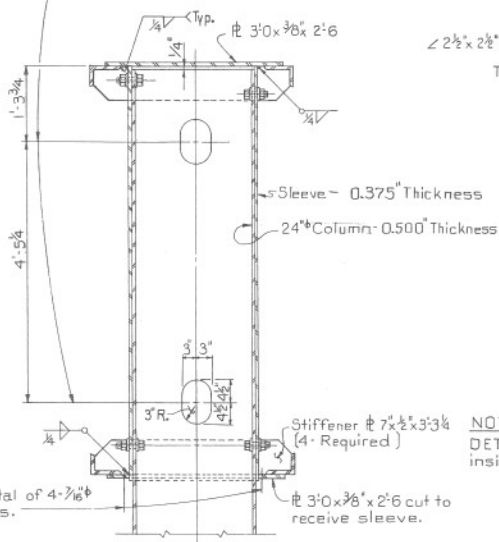
**NOTE:**  
Cut Std. 2" Coupling and grind to fit contour of sleeve and weld in place as shown.

**COUPLER DETAIL**

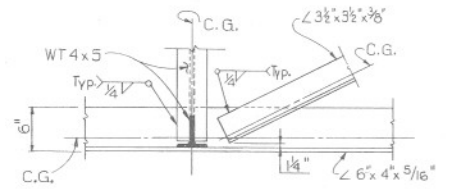


**HANDHOLE COVER DETAILS**

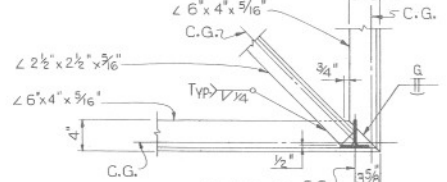
6' x 9" Handholes - see HANDHOLE COVER DETAILS.



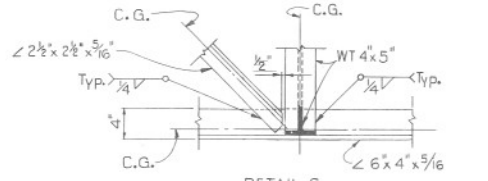
**SECTION B-B**



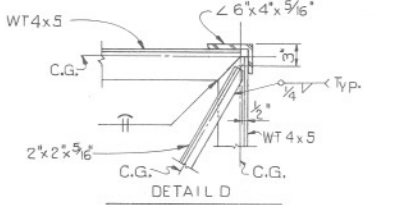
**DETAIL A**



**DETAIL B**



**DETAIL C**



**DETAIL D**

**NOTE:**  
DETAIL A thru DETAIL D are viewed from inside truss looking out.

DESIGN APPROVED  
J. B. Davis  
11-20-85

APPROVED FOR DISTRIBUTION  
James C. Walker

STATE OF ARIZONA DEPARTMENT OF TRANSPORTATION DIVISION OF HIGHWAYS STANDARD DRAWINGS		REV. 8-86 5-87
CANTILEVER SIGN TRUSS DETAILS No. 2		DRAWING NO. 2-S-5.21



DATE	BY	DESCRIPTION OF REVISION