

NOTE:

See DRAWING NO. 2-5-5.21
placement of $\frac{3}{8}$ " ϕ holes
in 24" ϕ column to accommodate sleeve

1'-3 $\frac{3}{4}$ " align with
2" coupling see
COUPLER DETAIL
DRAWING NO.
2-5-5.21.

Provide 3" ϕ hole

24" ϕ Column

30'-0" Max Length

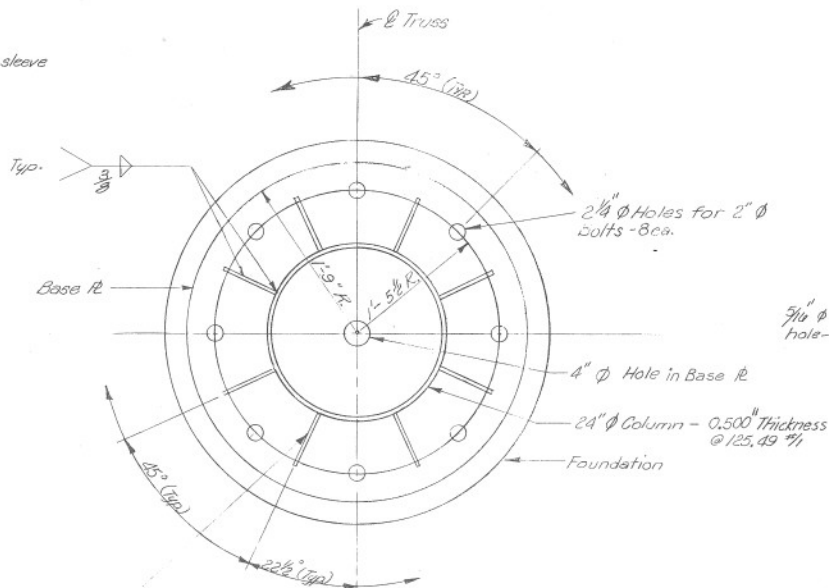
7 $\frac{1}{2}$ " \pm $\frac{1}{8}$ "

5'-6"

Drill thru wall &
tap for $\frac{3}{8}$ " ϕ nipple
2 places on sign
panel side

Handhole with
frame & cover

COLUMN ELEVATION

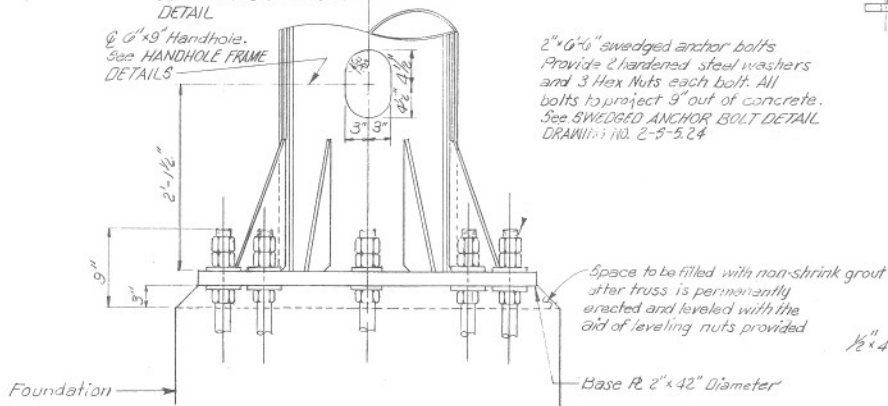


SECTION A-A

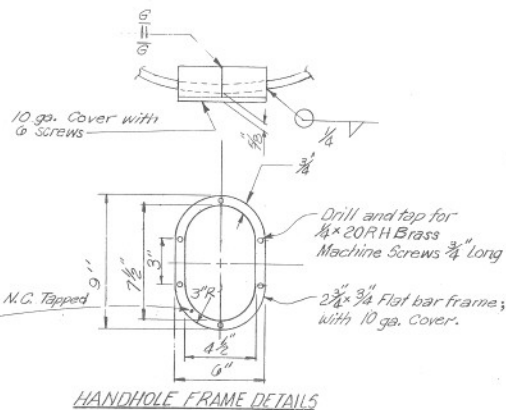
Base Stiffener R-3
ea. See BASE STIFFENER
DETAIL

6" x 9" Handhole.
See HANDHOLE FRAME
DETAILS

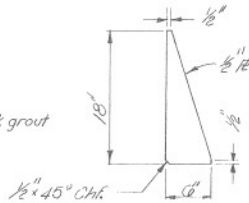
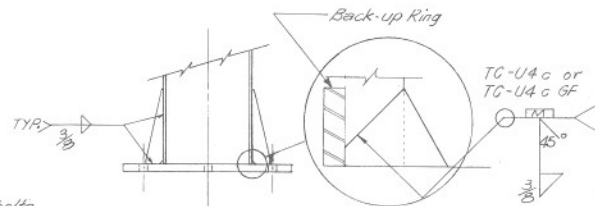
2" x 6" x 6" swaged anchor bolts
Provide 2 hardened steel washers
and 3 Hex Nuts each bolt. All
bolts to project 9" out of concrete.
See SWAGED ANCHOR BOLT DETAIL
DRAWING NO. 2-5-5.24



BASE-ELEVATION



HANDHOLE FRAME DETAILS



BASE STIFFENER DETAIL

NOTE:

All welds connecting Column to Base R
shall be complete Penetration welds.



DESIGN APPROVED

J.O. Brund
11-20-85

APPROVED FOR
DISTRIBUTION

James G. McElroy

STATE OF ARIZONA
DEPARTMENT OF TRANSPORTATION
DIVISION OF HIGHWAYS
STANDARD DRAWINGS

REV
8-86
5-87

CANTILEVER SIGN
TOWER DETAILS

DRAWING NO.
2-5-5.19