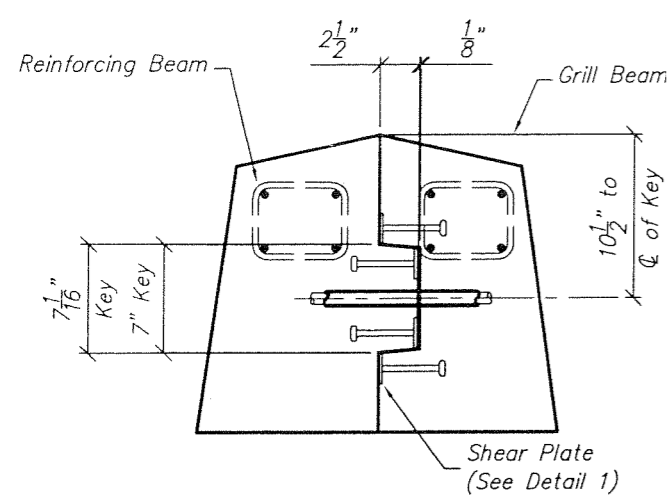
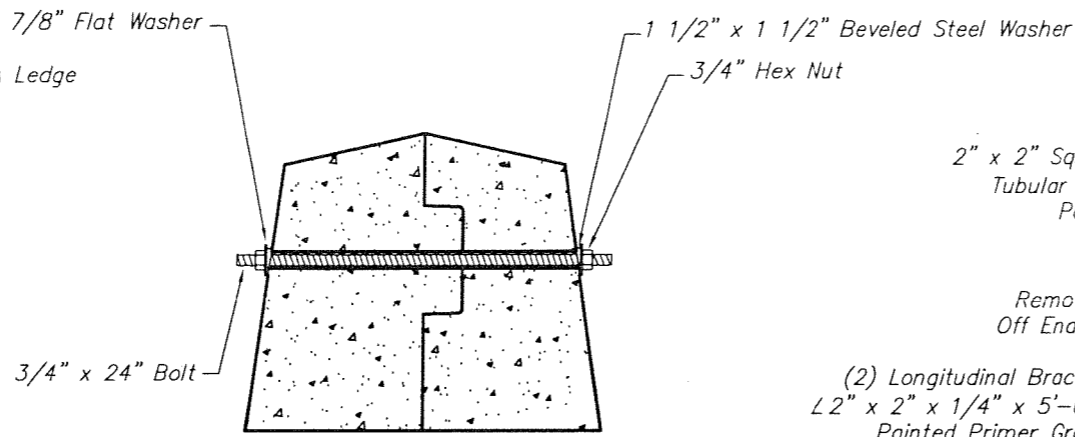


REV	DESCRIPTION	BY	DATE
A	Revised Notes	FB	5/21/03
B	Changed Title Block Added Bike Safety Kit Detail	AT	12/11/09



**Key Detail**  
Scale: 3/4"=1'-0"



**Tie Bolt Detail**  
Scale: 1.5"=1'-0"

2" x 2" Square x 5'-9" Long  
Tubular Post w/ Post Cap  
Painted Primer Grey  
(See Detail 3)

Remove 4" Of Flange  
Off End Of Each Brace

(2) Longitudinal Braces  
L 2" x 2" x 1/4" x 5'-6"  
Painted Primer Grey  
(See Detail 2 & Drawing G2100-4)



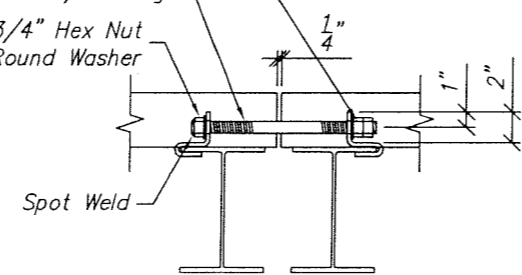
**Structural Only**

Apply Heavy Duty, High-Strength Anaerobic  
Thread Locking Compound To Threads  
Before Installing Double Nuts

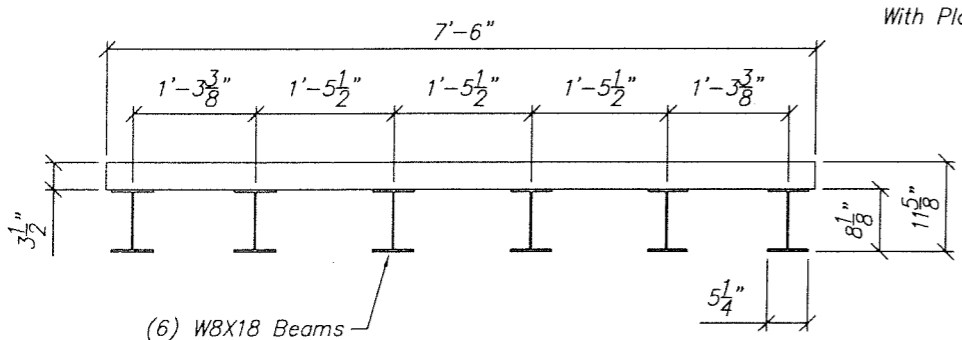
3/4" Ferrule Loop Inserts  
For Fastening Wing Brace

3/4" Dia. All-Thread  
11 5/8" Long

3/4" Hex Nut  
With Plain Round Washer

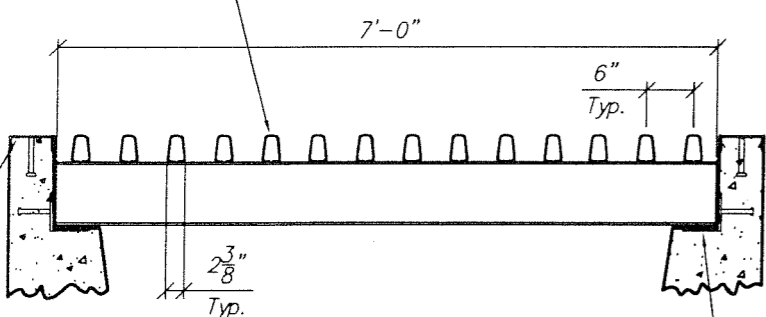


**Bike Safety Kit Detail**  
Scale: 3/4"=1'-0"



**Traffic Grille Unit**

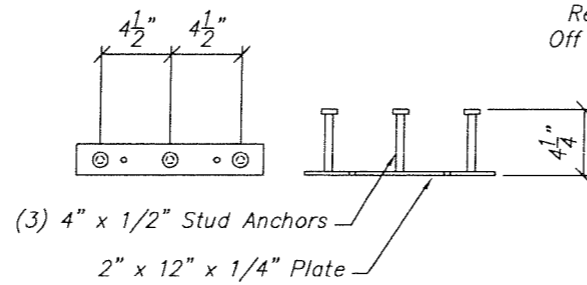
(14) Steel Rails  
Per ADOT  
Std. C11.10



**Section of Traffic Grille**

5 1/2" x 2" x 3/16" Formed Iron With  
5/8" x 6" Stud Anchors @ 2'-0" Centers

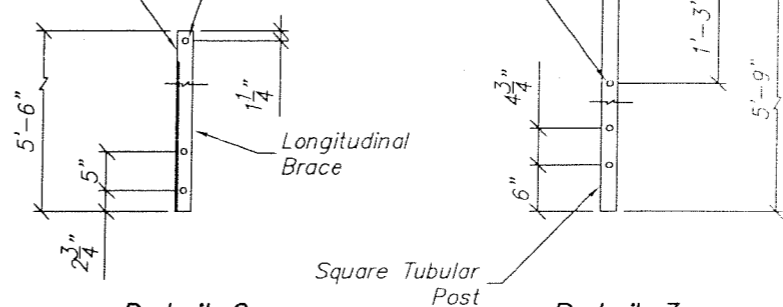
L 5" x 5" x 5" x 1/2"  
With (1) 1/2" x 4" Stud Anchors



**Detail 1**  
Scale: 3/4"=1'-0"

Remove 4" Of Flange  
Off End Of Each Brace

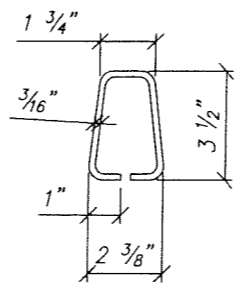
13/16" Dia. Bolt Holes  
For 3/4" Dia. Hex Bolts



**Detail 2**

**Detail 3**

**ADOT PRIDE PROGRAM  
APPROVAL 6/01/2010**



**Rail Detail**  
Scale: 1.5"=1'-0"

**Oldcastle Precast**

411 E. Frye Rd.  
Chandler, Arizona 85225  
Tel: (480) 963-2678  
Fax: (480) 899-1937

DRAWN BY <b>AT</b>	DATE <b>2/21/02</b>	TITLE Precast Concrete Cattle Guard With 1'-2" x 7" Male & Female Keys A.D.O.T. Standard H-20 C-11.10		
CHECKED BY <b>FS</b>	DATE <b>12-18-09</b>	DRAWING NUMBER <b>G2100-4</b>		
<small>THIS DRAWING AND ANY PRINT THEREOF IS THE PROPERTY OF OLDCASTLE PRECAST, INC. THE INFORMATION SHOWN IS CONFIDENTIAL AND THE RECIPIENT AGREES NOT TO USE IN ANY MANNER WHICH WILL BE DETRIMENTAL TO OLDCASTLE PRECAST, INC. COPYRIGHT © 2008 OLDCASTLE PRECAST, INC.</small>		<table border="1" style="width: 100%; border-collapse: collapse;"> <tr> <td style="width: 50%;">SCALE 3/8"=1'-0"</td> <td style="width: 50%;">SHEET NO. 4</td> </tr> </table>	SCALE 3/8"=1'-0"	SHEET NO. 4
SCALE 3/8"=1'-0"	SHEET NO. 4			