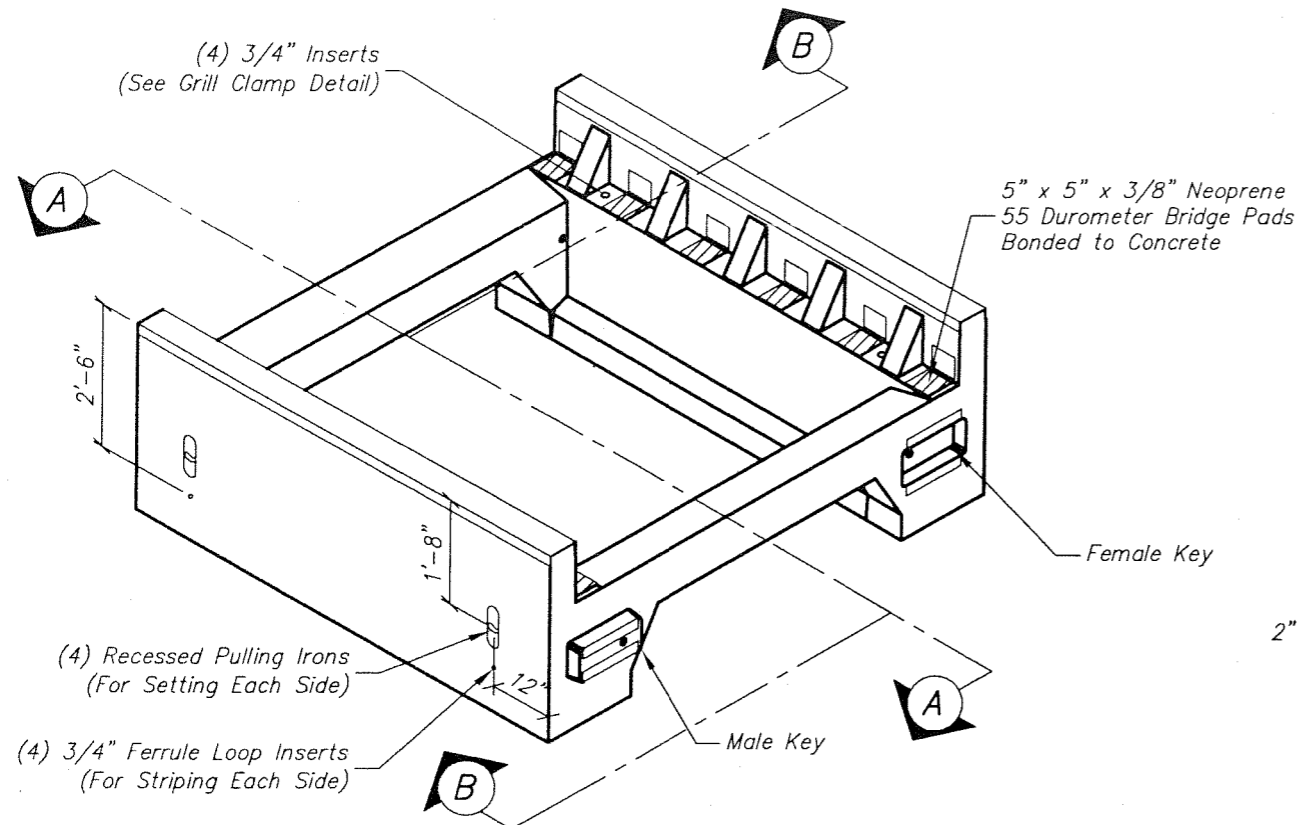
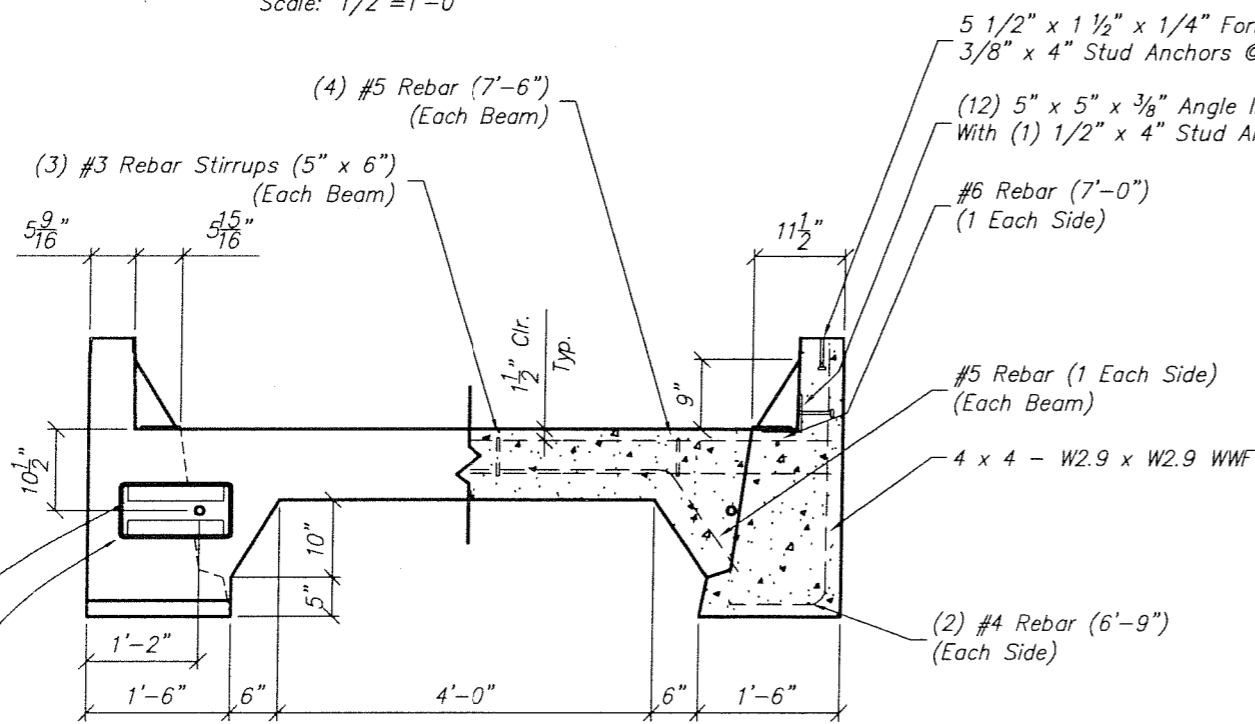
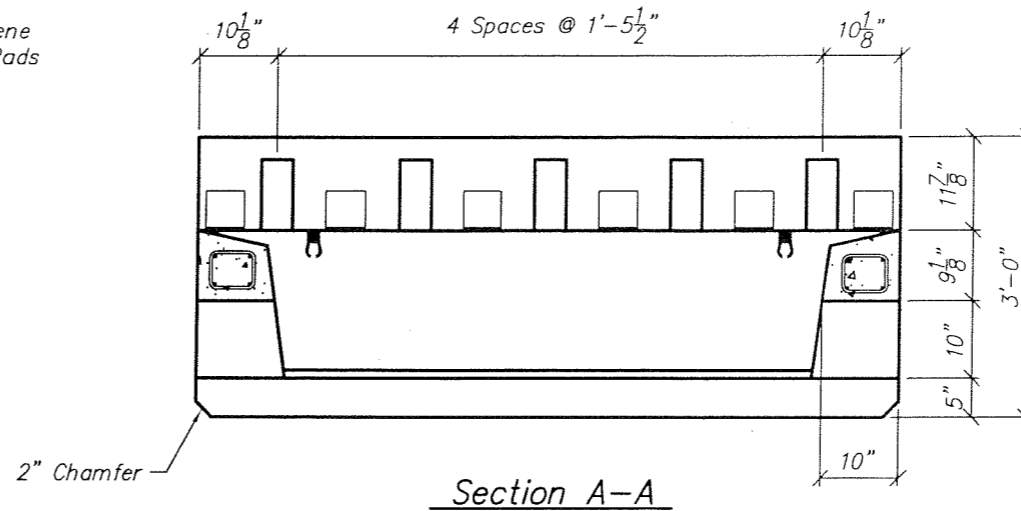


REV	DESCRIPTION	BY	DATE
A	Revised Notes	FB	5/21/03
B	Added 3/4" Inserts And Grill Clamp Detail	AT	12/11/09



**Isometric View Of Center Unit**  
Scale: 1/2"=1'-0"

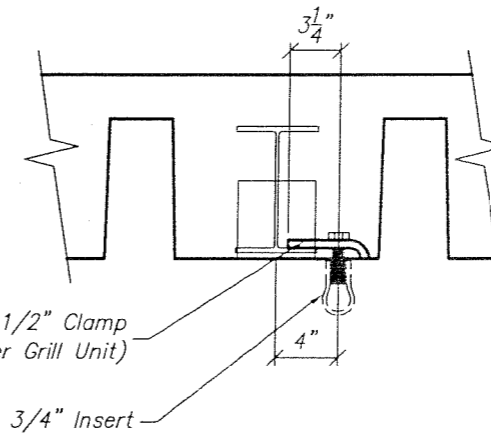


**Section B-B**

See "Key Detail" (G2100-4)

- (4) 2" x 12" Shear Plates With
- (3) 1/2" x 4" Stud Anchors
- (2 Each Key)(See "Detail 1" (G2100-4))

**ADOT PRIDE PROGRAM  
APPROVAL 6/01/2010**



**Grill Clamp Detail**  
Scale: 3/4"=1'-0"



Structural Only Replaces Drawing #HD-101A



411 E. Frye Rd.  
Chandler, Arizona 85225  
Tel: (480) 963-2678  
Fax: (480) 899-1907

DRAWN BY AT	DATE 2/21/02	TITLE Precast Concrete Cattle Guard With 1'-2" x 7" Male & Female Keys A.D.O.T. Standard H-20 C-11.10
CHECKED BY FS	DATE (2-18-09)	PROJECT NO. G2100-3
<small>THIS DRAWING AND ANY PRINT THEREOF IS THE PROPERTY OF OLDCASTLE PRECAST, INC. THE INFORMATION SHOWN IS CONFIDENTIAL AND THE RECIPIENT AGREES NOT TO USE IN ANY MANNER WHICH WILL BE DETRIMENTAL TO OLDCASTLE PRECAST, INC. COPYRIGHT © 2009 OLDCASTLE PRECAST, INC.</small>		REV. NO. B
SCALE 3/8"=1'-0"	QUANTITY -	TOTAL 3 4