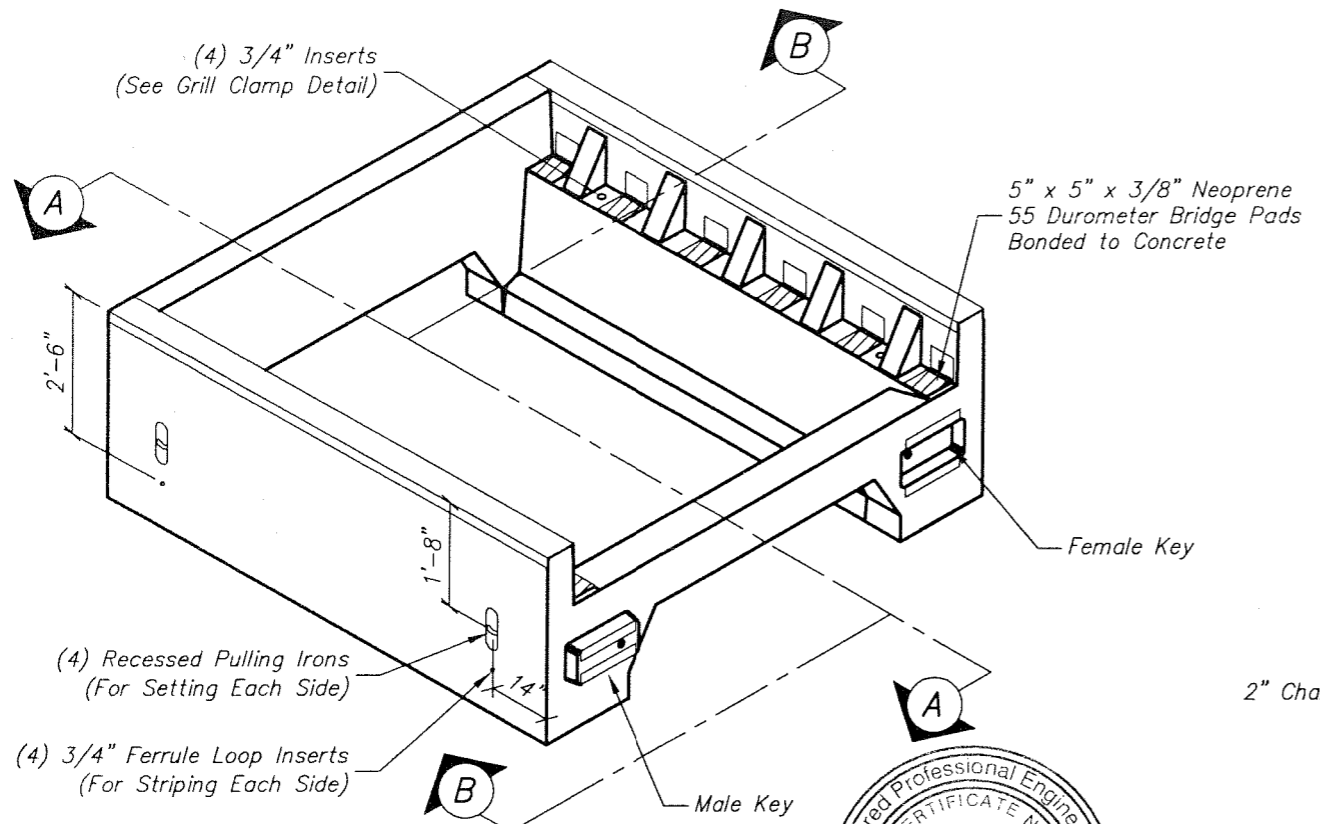
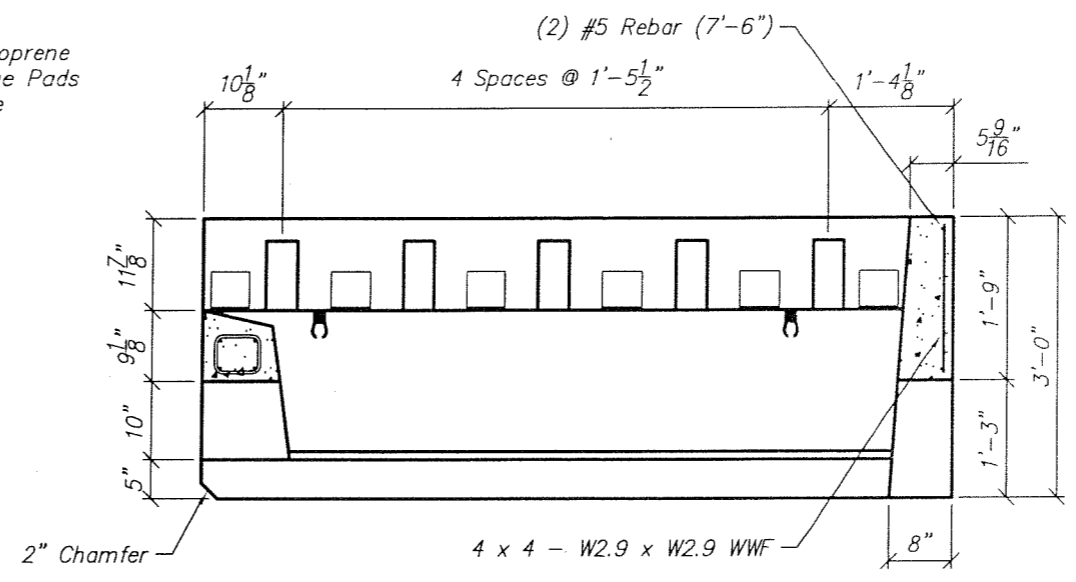


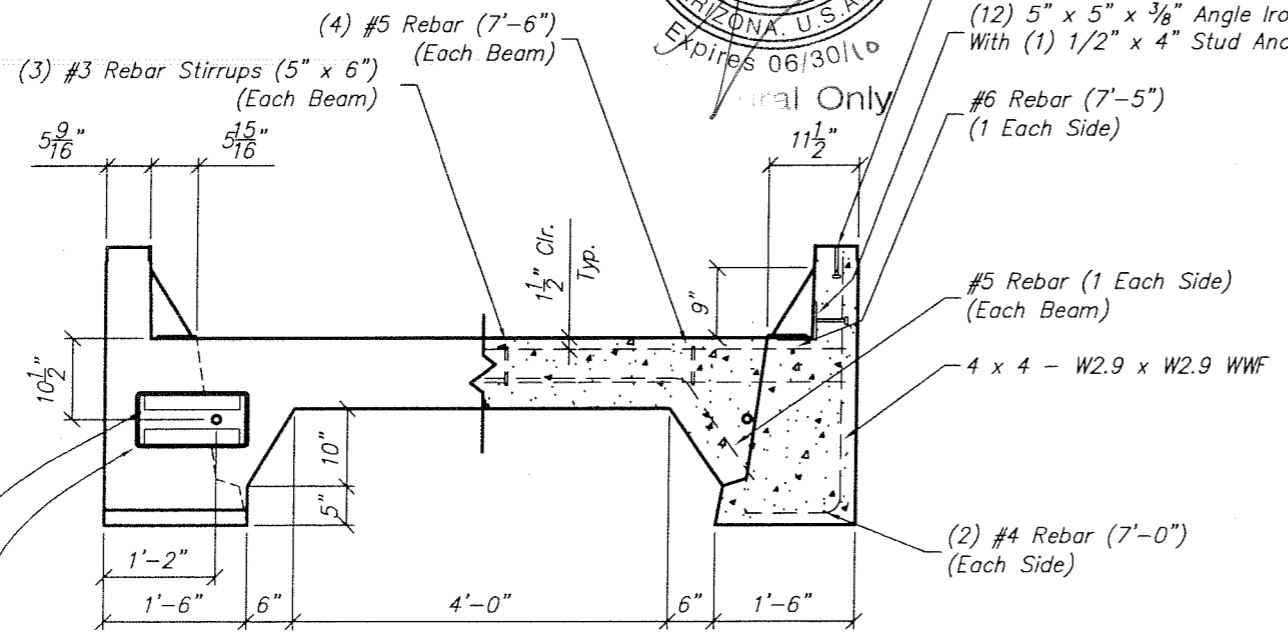
REV	DESCRIPTION	BY	DATE
A	Revised Notes	FB	5/21/03
B	Added 3/4" Inserts And Grill Clamp Detail	AT	12/11/09



Isometric View Of End Unit
Scale: 1/2"=1'-0"



Section A-A

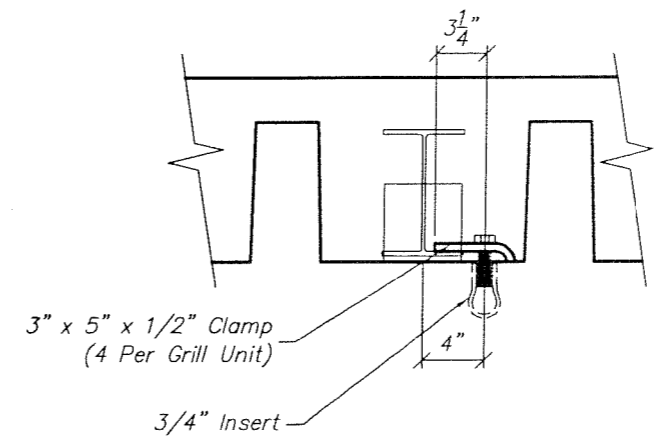


Section B-B

See "Key Detail" (G2100-4)

(4) 2" x 12" Shear Plates With
(3) 1/2" x 4" Stud Anchors
(2 Each Key)(See "Detail 1" (G2100-4))

**ADOT PRIDE PROGRAM
APPROVAL 6/01/2010**



Grill Clamp Detail

Scale: 3/4"=1'-0"

Oldcastle Precast[®]

411 E. Frye Rd.
Chandler, Arizona 85225
Tel: (480) 963-2678
Fax: (480) 899-1937

DRAWN BY AT	DATE 2/21/02	TITLE Precast Concrete Cattle Guard With 1'-2" x 7" Male & Female Keys A.D.O.T. Standard H-20 C-11.10	
PROJECTED BY FS	DATE 12-18-09	PROJECT NO. G2100-2	REV B
SCALE 3/8"=1'-0"		DATE PLOTTED	SHEET NO. 2 OF 4

THIS DRAWING AND ANY PRINT THEREOF IS THE PROPERTY OF OLDCASTLE PRECAST, INC. THE INFORMATION SHOWN IS CONFIDENTIAL AND THE RECIPIENT AGREES NOT TO USE IN ANY MANNER WHICH WILL BE DETRIMENTAL TO OLDCASTLE PRECAST, INC. COPYRIGHT © 2009 OLDCASTLE PRECAST, INC.