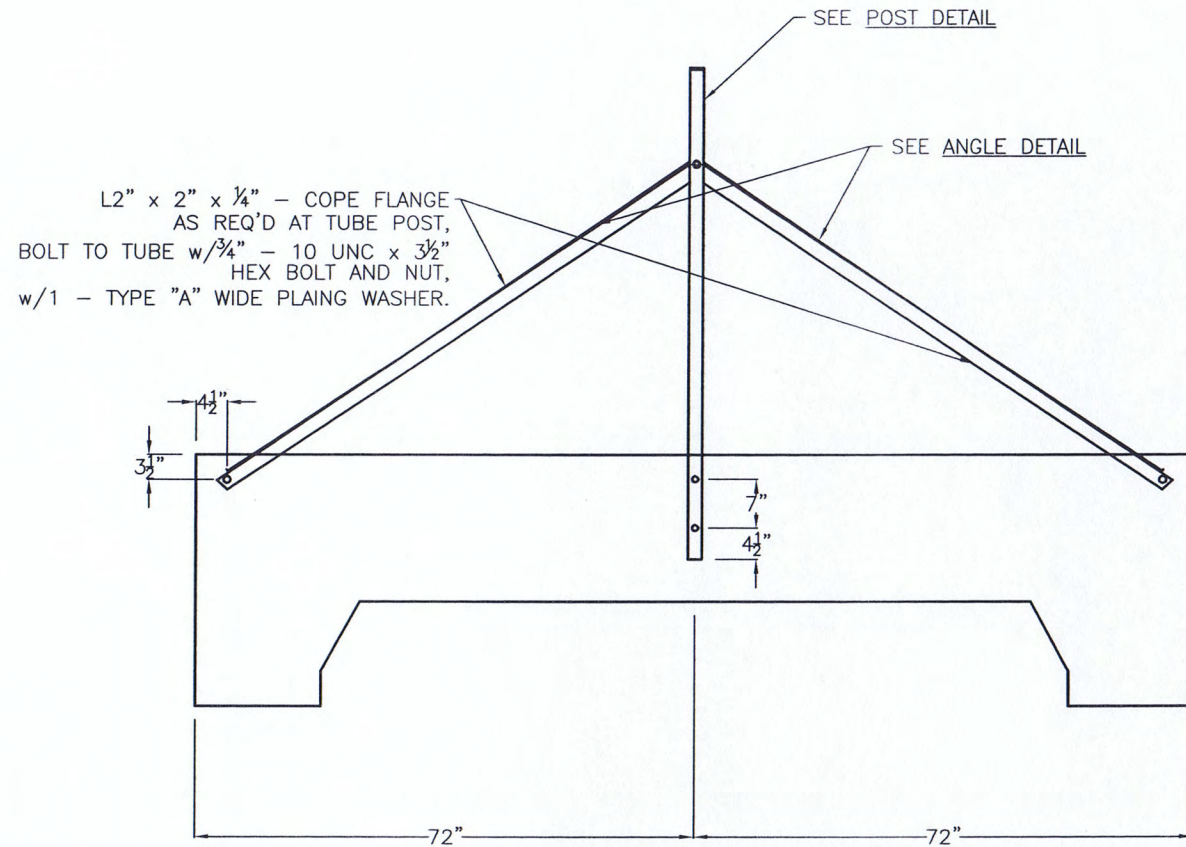
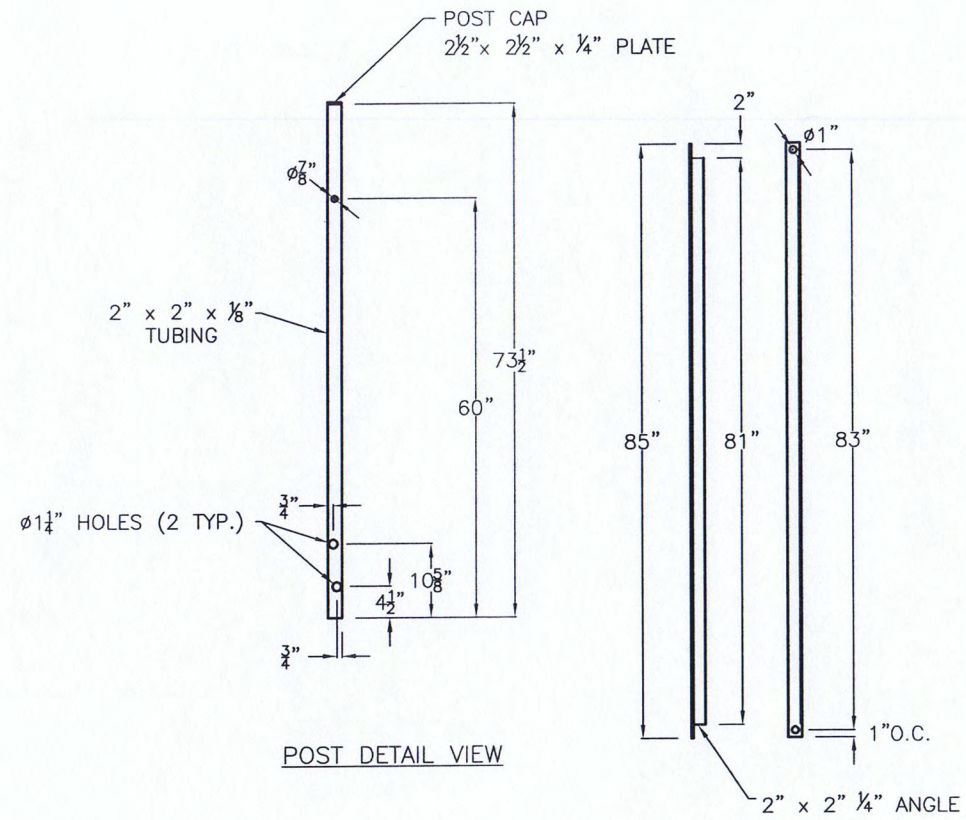


- NOTE:
 1. STRUCTURAL STEEL TO ASTM A-36.
 2. SQUARE TUBING TO BE A-500 GRADE B.
 3. BOLTS TO BE A-307.



POST AND BRACE ASSEMBLY



POST DETAIL VIEW

ANGLE DETAIL VIEW

ALL STRUCTURAL STEEL SHALL RECEIVE ONE SHOP COAT OF A.D.O.T. PAINT NUMBER 1, NOT LESS THAN 2 MILS. DRY.



David M. Niese
 9/30/12

ARIZONA DEPT. OF TRANSPORTATION	2410 W. Broadway Phoenix, Arizona 85041 Phone: 602.268-0228 Fax: 602.243-5950		
	TITLE CATTLEGUARD FOUNDATION POST & BRACE ASSEMBLY		
10-13-2011 sheet description	DWG. NO. ADOT - CGF	DATE	09-14-09
10-04-2011 general	DRAWN BY: C.BAGGOTT	CAT DWG NO.	H-C.G./GRILLS
REVISIONS	SCALE: N.T.S.	SHEET	6 OF 6