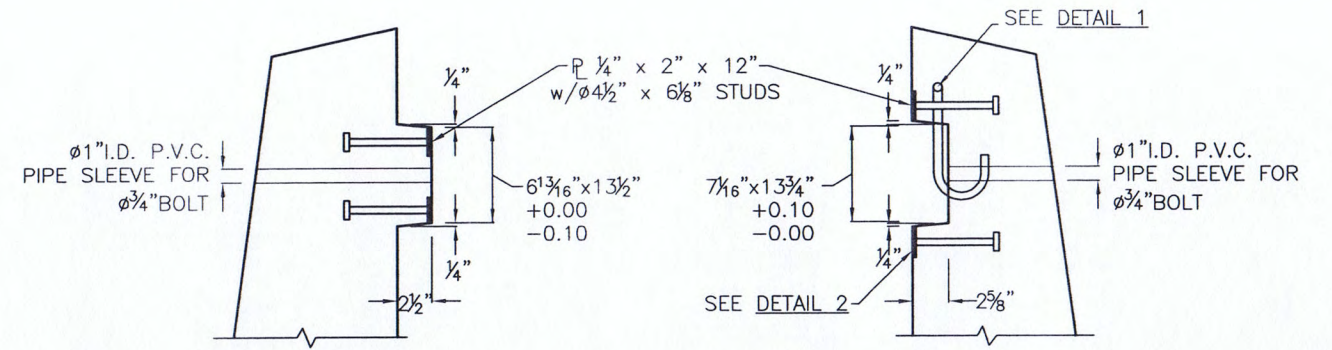
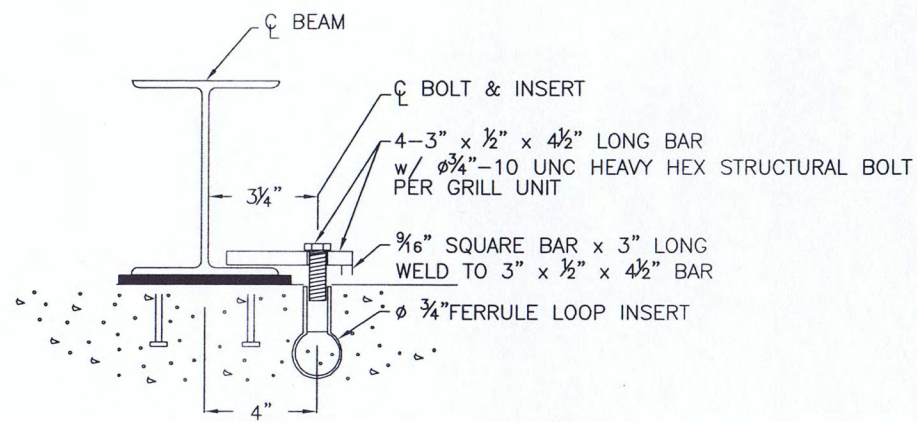


ELEVATION: KEY LOCATION

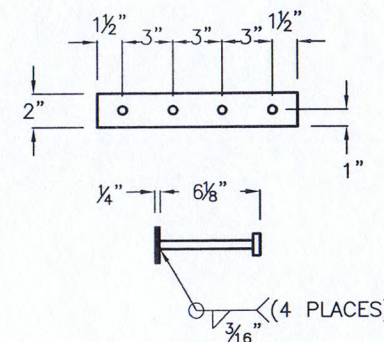


MALE KEY ②

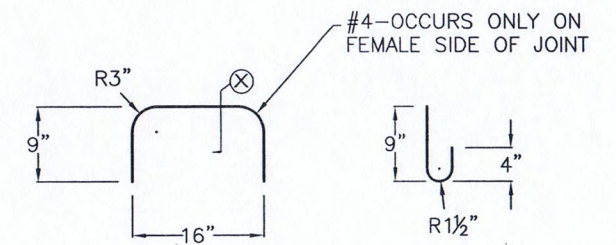
FEMALE KEY ①



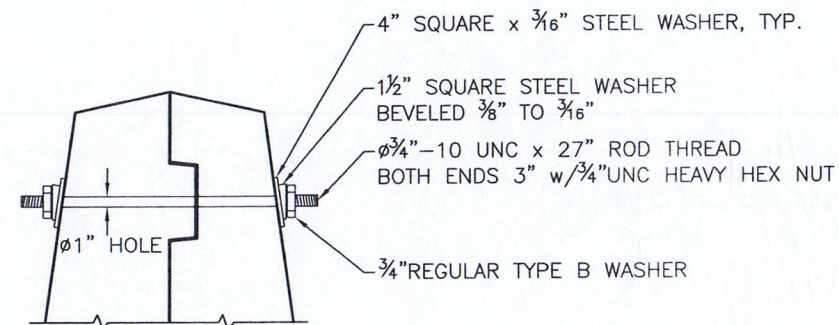
GRILL CLAMP DETAIL



DETAIL 2



DETAIL 1



TIE BAR SECTION VIEW

Registered Professional Engineer (Civil)
8081 DAVID M. NIESE
 Date Signed 10/17/11
 ARIZONA U.S.A.
David M. Niese
 9/30/12

ALL STRUCTURAL STEEL SHALL RECEIVE ONE SHOP COAT OF A.D.O.T. PAINT NUMBER 1, NOT LESS THAN 2 MILS. DRY.

ALL REINFORCING SHALL HAVE A MINIMUM OF 2 INCHES OF CLEAR COVER, UNLESS NOTED OTHERWISE

ARIZONA DEPT. OF TRANSPORTATION			2410 W. Broadway Phoenix, Arizona 85041 Phone: 602.268-0228 Fax: 602.243-5950
	TITLE: CATTLEGUARD FOUNDATION FOUNDATION DETAILS		
	DWG. NO. ADOT - CGF	DATE	09-14-09
10-4-2011 general	DRAWN BY: C.BAGGOTT	CAT. DWG NO.	H-C.G./GRILLS
REVISIONS	SCALE N.T.S.	SHEET	4 OF 6