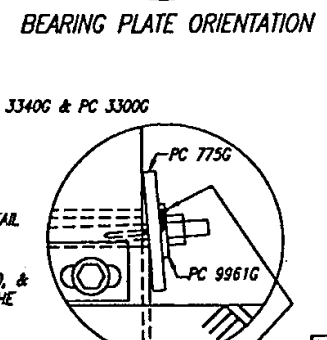
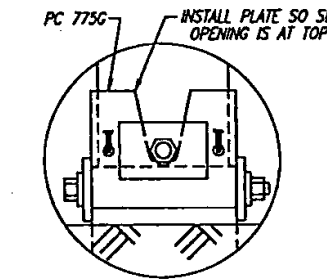
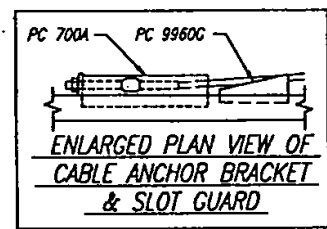
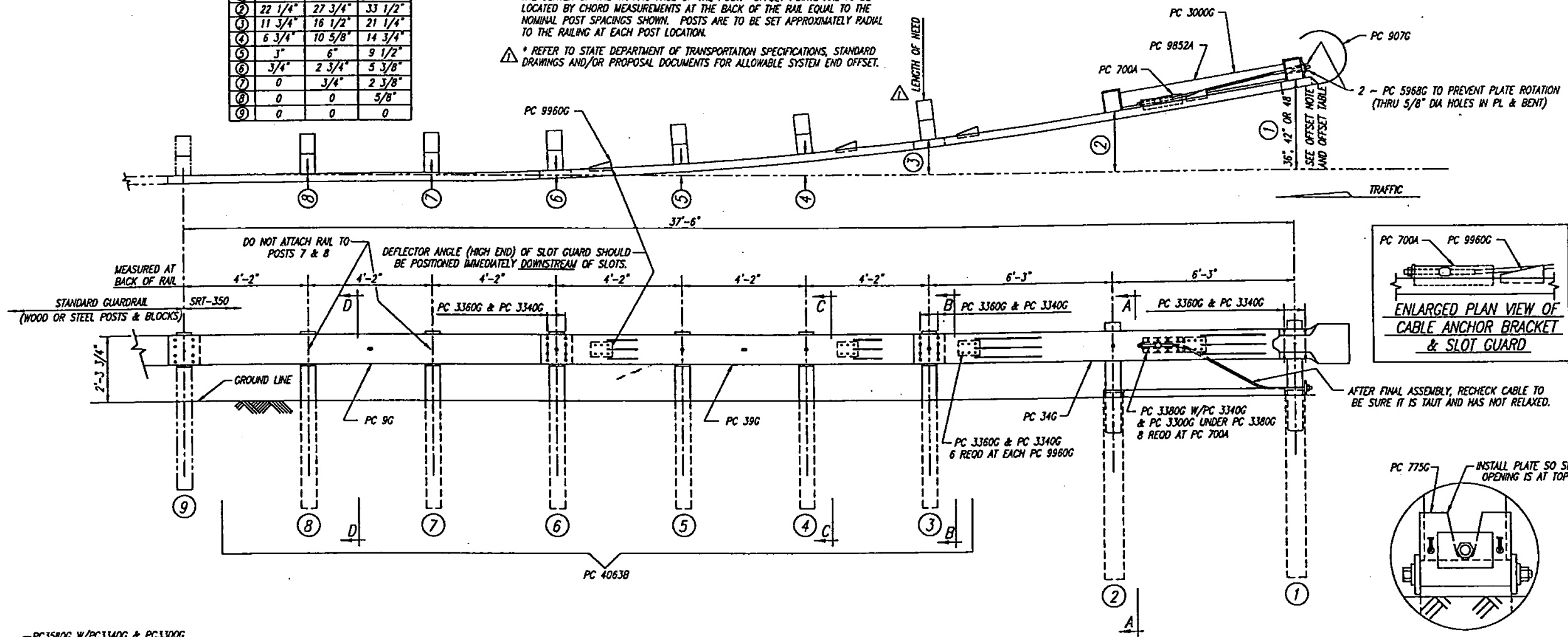


POST OFFSET DIMENSION TABLE			
POST No	* SYSTEM END OFFSET		
	3'-0"	3'-6"	4'-0"
1	36"	42"	48"
2	22 1/4"	27 3/4"	33 1/2"
3	11 3/4"	16 1/2"	21 1/4"
4	6 3/4"	10 5/8"	14 3/4"
5	3"	6"	9 1/2"
6	3/4"	2 3/4"	5 3/8"
7	0	3/4"	2 3/8"
8	0	0	5/8"
9	0	0	0

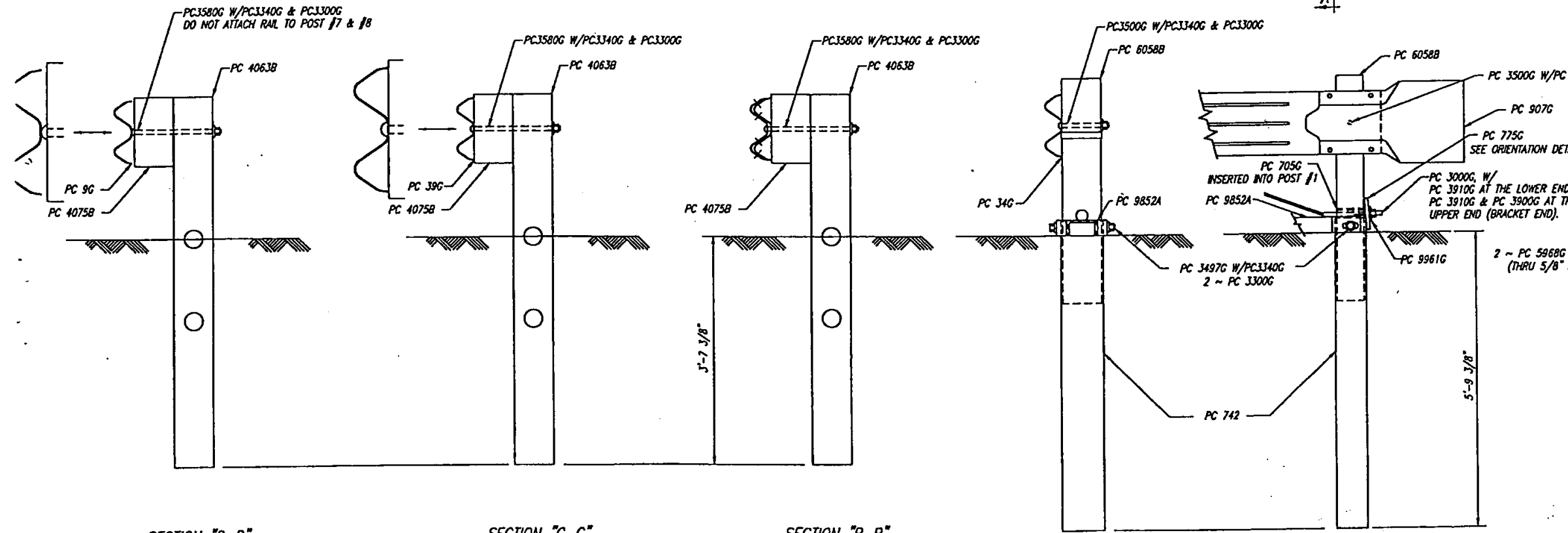
OFFSET NOTE:
 THE POST OFFSET DIMENSIONS ARE GIVEN TO THE CENTER OF THE TRAFFIC FACE OF THE BLOCKOUTS, EXCEPT AT THE FIRST TWO POSTS, WHERE THE DIMENSION IS TO THE CENTER OF THE TRAFFIC FACE OF THE POST. OFFSET POINTS ARE TO BE LOCATED BY CHORD MEASUREMENTS AT THE BACK OF THE RAIL EQUAL TO THE NOMINAL POST SPACINGS SHOWN. POSTS ARE TO BE SET APPROXIMATELY RADIAL TO THE RAILING AT EACH POST LOCATION.
 * REFER TO STATE DEPARTMENT OF TRANSPORTATION SPECIFICATIONS, STANDARD DRAWINGS AND/OR PROPOSAL DOCUMENTS FOR ALLOWABLE SYSTEM END OFFSET.

NOTE:
 APPROVED AS NCHRP 350 T3 TERMINAL VIA ADOT PRIDE PROGRAM 9-99.

BILL OF MATERIAL		
PC	QTY	DESCRIPTION
9G	1	12/12/6/6/3/5 (GUARDRAIL)
34G	1	12/12/6/6/3/5 SRT-1 (GUARDRAIL)
39G	1	12/12/6/5 SRT-2 (GUARDRAIL)
700A	1	CABLE ANCHOR BRACKET
705G	1	2" x 5 1/2" PIPE
742G	2	6'0" TUBE SLEEVE
775G	1	5/8" x 6" x 8" BEARING PLATE
907G	1	12/BUFFER/ROLLED (TERMINAL)
3000G	1	3/4" x 6'6" CABLE
3300G	20	5/8" WASHER
3340G	62	5/8" HEX NUT
3360G	44	5/8" x 1 1/4" SPLICE BOLT
3380G	8	5/8" x 1 1/2" HEX HD BOLT
3497G	2	5/8" x 9 1/2" HEX HD BOLT
3500G	2	5/8" x 10" POST BOLT
3580G	6	5/8" x 18" POST BOLT
3900G	1	1" WASHER
3910G	2	1" HEX NUT
4063B	6	6'0" POST 6 x 8
4075B	6	14" BLOCK 6 x 8
6058B	2	3' 9" POST 5 1/2 x 7 1/2
5968G	2	16d NAIL SRT
9852A	1	STRUT ASSEMBLY
9960G	4	SLOT GUARD
9961G	1	3/8" x 3" x 4" PLATE WASHER



This drawing and the information shown thereon is the sole property of TRINITY INDUSTRIES, INC. Neither the drawing nor such information is to be used for any purpose other than that for which it was specifically furnished by TRINITY INDUSTRIES, INC. nor in any reproduction authorized without written permission.



REV.	CHK'D	BY	DATE	REMARKS
2	RH		11-17-99	ADDED ENLARGED PLAN VIEW & ENLARGED GUARDRAIL TO BLOCK DETAILS
1	BT		7-12-99	ADDED OFFSET NOTE & LENGTH OF NEED

SRT-350

**SLOTTED RAIL TERMINAL
 POST LAYOUT AND ERECTION DETAILS
 SRT-350 (12.5, 8 POST)**

CUSTOMER	P.O. No.	DATE	5-21-99
DRAWN	B. TAKACH	ENG. FILE #	SS444-01E_AZ
DATE	5-21-99	SHT. No.	EI OF 1
APPROVED		DRAWING No.	444

TRINITY INDUSTRIES, INC.

SECTION "D-D"

SECTION "C-C"

SECTION "B-B"

SECTION "A-A"