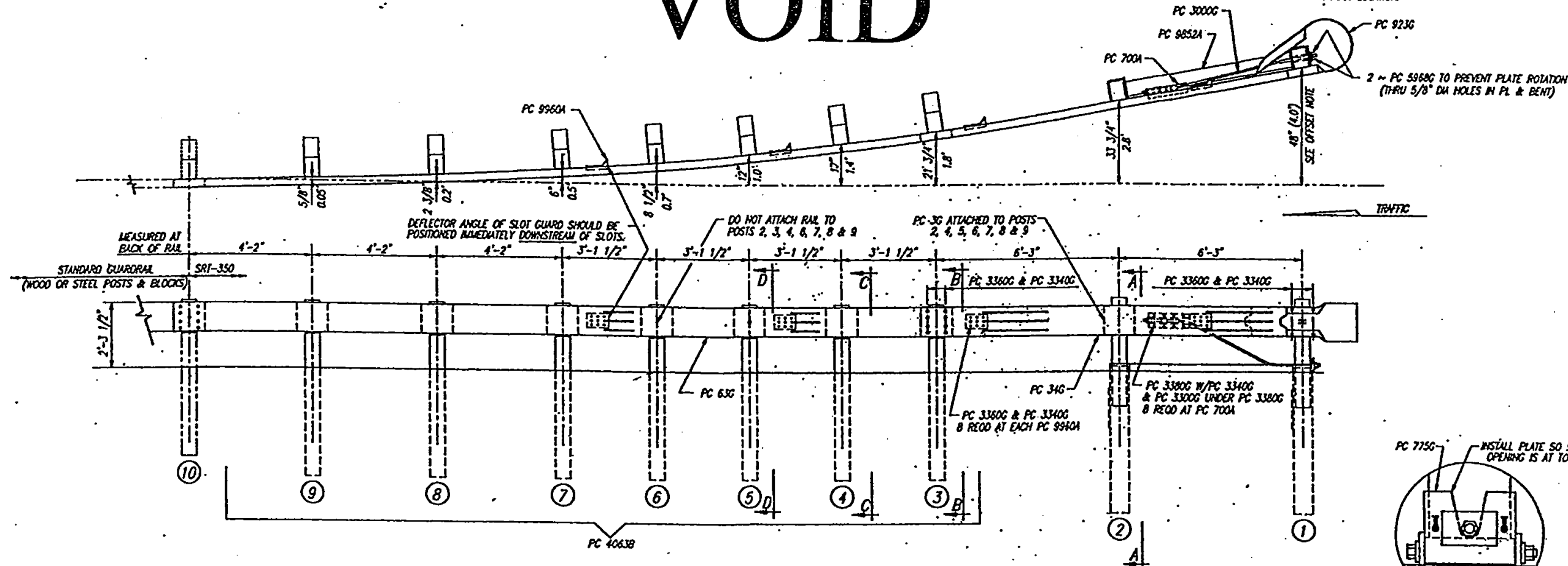


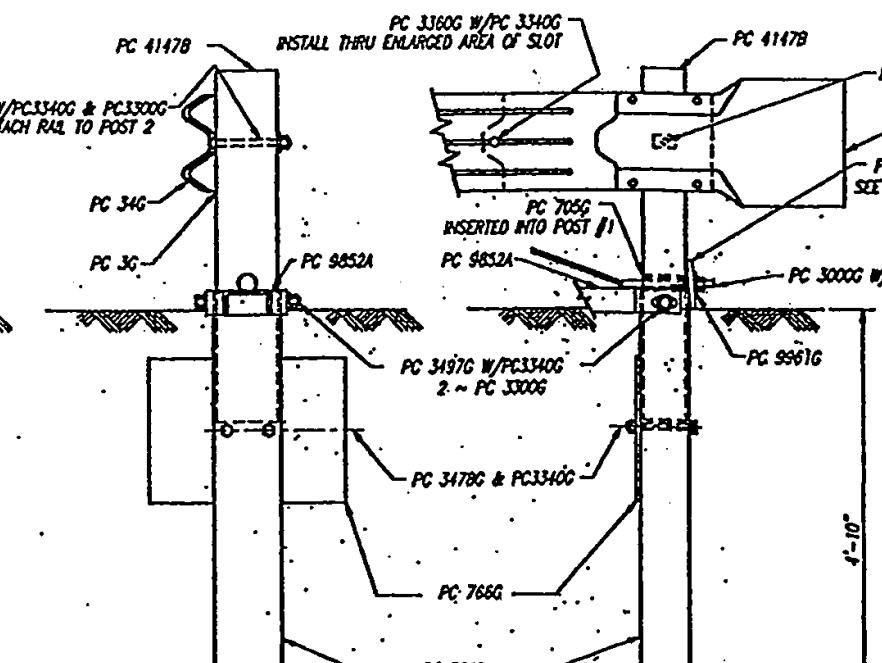
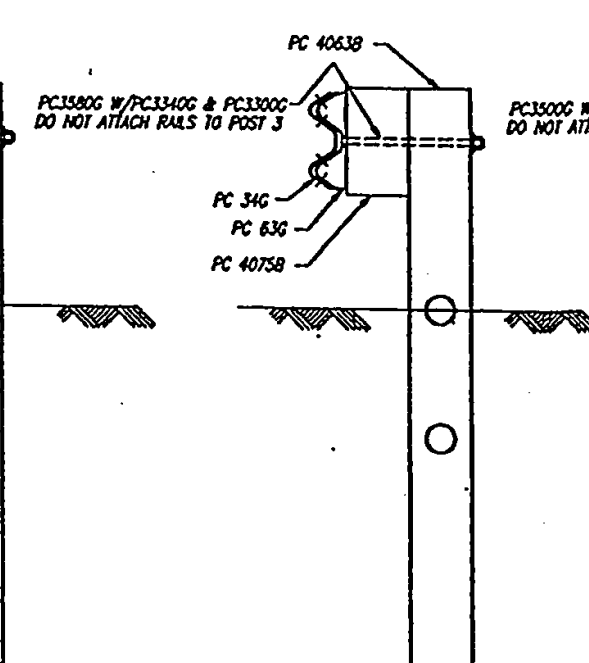
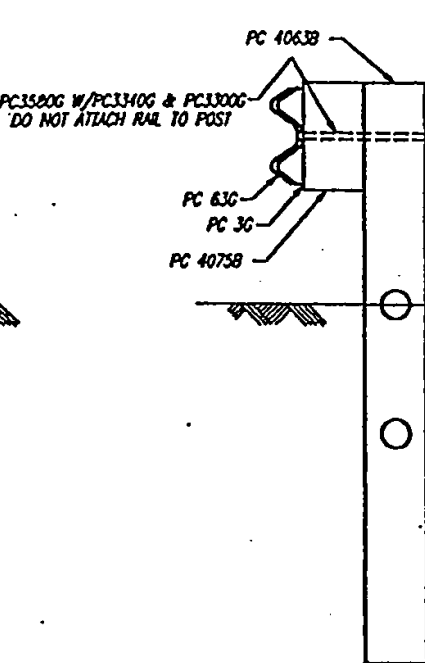
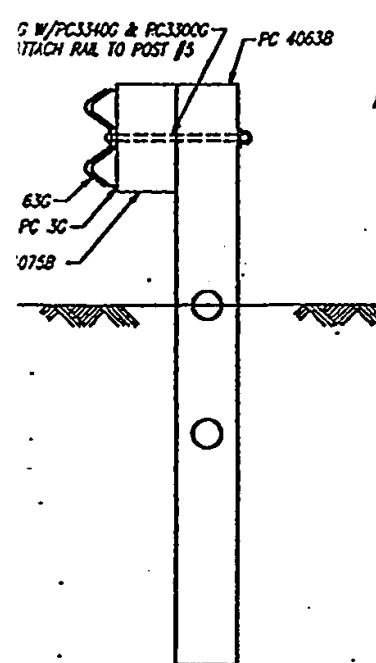
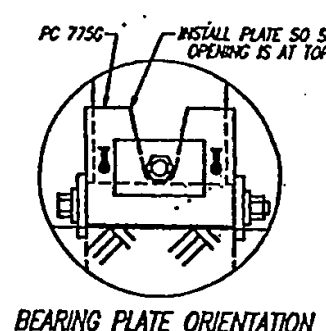
VOID

OFFSET NOTE:

THE POST OFFSET DIMENSIONS ARE GIVEN TO THE CENTER OF THE TRAFFIC FACE OF THE BLOCKOUTS. EXCEPT AT THE FIRST TWO POSTS, WHERE THE DIMENSION IS TO THE CENTER OF THE TRAFFIC FACE OF THE POST. OFFSET POINTS ARE TO BE LOCATED BY CHORD MEASUREMENTS AT THE BACK OF THE RAIL EQUAL TO THE NOMINAL POST SPACINGS SHOWN. POSTS ARE TO BE SET APPROXIMATELY RADIAL TO THE RAILING AT EACH POST LOCATION.



BILL OF MATERIAL		
PC	QTY	DESCRIPTION
3G	7	12/12" BACKLIP (GUARDRAIL)
346	1	12/12" SRT-1 (GUARDRAIL)
63G	1	12/250/63/5 SRT-350 (GUARDRAIL)
700A	1	CABLE ANCHOR BRACKET
705G	1	2" x 5 1/2" PIPE
736G	2	5" TUBE SLEEVE
766G	2	1/4 x 18 x 24 SOL. PLATE
775G	1	5/8 x 6 x 8 BEARING PLATE
923G	1	12/BARRIER/58" (TERMINAL)
3000G	1	3/4 x 6" CABLE
3300G	21	5/8" WASHER
3320G	1	3/16 x 1 3/4 x 3 WASHER
3340G	68	5/8" HEX NUT
3360G	45	5/8" x 1 1/4" SPLICE BOLT
3380G	8	5/8" x 1-1/2" HEX HD BOLT
3478G	4	5/8" x 7 1/2" HEX HD BOLT
3497G	2	5/8" x 9 1/2" HEX HD BOLT
3500G	2	5/8" x 10" POST BOLT
3580G	7	5/8" x 18" POST BOLT
3900G	1	1" WASHER
3910G	2	1" HEX NUT
4063B	7	6" POST 6 x 8
4075B	7	14" BLOCK 6 x 8
4147B	2	3" 9 POST 5 1/2 x 7 1/2
5968G	2	16d NAL SRT
9852A	1	STRUT ASSEMBLY
9960A	4	SLOT GUARD
9961G	1	3/8 x 3 x 4 PLATE WASHER



NOTE: IF POSTS ARE TO BE INSTALLED THROUGH CONCRETE PAVEMENT, REFER TO THE INSTALLATION INSTRUCTIONS.

This drawing and the information shown thereon is the sole property of TRINITY INDUSTRIES, INC. Neither the drawing nor such information is to be used for any purpose other than that for which it was specifically furnished by TRINITY INDUSTRIES, INC. nor is any reproduction authorized without written permission.

JUL 22 1997

REV	DATE	BY	DATE	REMARKS
2	7-21-97	RH		ADDED NOTE ABOUT NCHRP 350 TL3
1	3-4-97	RH		ADDED NOTE

SRT-350

SLOTTED RAIL TERMINAL SRT-350
POST LAYOUT AND ERECTION DETAILS
(25, 9 POST)

CUSTOMER: _____ P.O. No.: _____

DATE: 12-26-96

ENG. FILE # SS428A

SYNO: E1 OF 1

TRINITY INDUSTRIES, INC.
DALLAS, TX CENTRALIA, UT GRAND, OH FORT WORTH, TX

SS 428