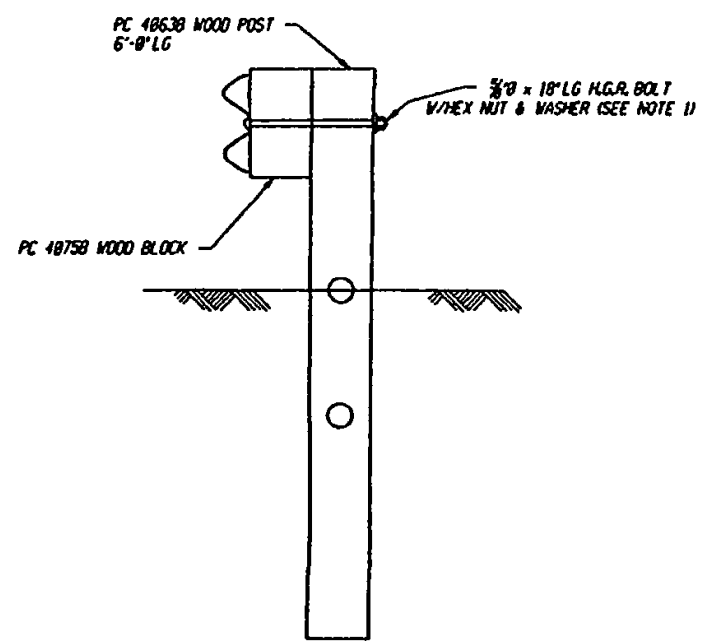


BILL OF MATERIAL		
PC	QTY	DESCRIPTION
96	1	12/12/6/6/3/5 GUARDRAIL
62G	1	12/25/6/3/5 ANC (GUARDRAIL)
784A	1	CABLE ANCHOR BRACKET
785G	1	2" x 5 1/2" PIPE
732G	2	6" TUBE SLEEVE
782G	1	3/8" x 8" x 8" BEARING PLATE
985A	1	E1-2800 EXTRUDER
3000G	1	CABLE 3/8" x 6'
3300G	16	3/8" WASHER
3340G	24	3/8" HEX NUT
3360G	16	3/8" x 1 1/4" SPLICE BOLT
3497G	2	3/8" x 9 1/2" HEX HD BOLT
3500G	1	3/8" x 18" POST BOLT
3500G	5	3/8" x 18" POST BOLT
3900G	2	1" WASHER
3910G	2	1" HEX NUT
4863B	5	WD 6" POST 6 x 8
4875B	5	WD BLOCK 12 x 6 x 8 DR
4147B	2	WD 3" POST 5 1/2 x 7 1/2
4228G	2	3/8" x 4" LAG SCREW
9852A	1	STRUT & YOKE

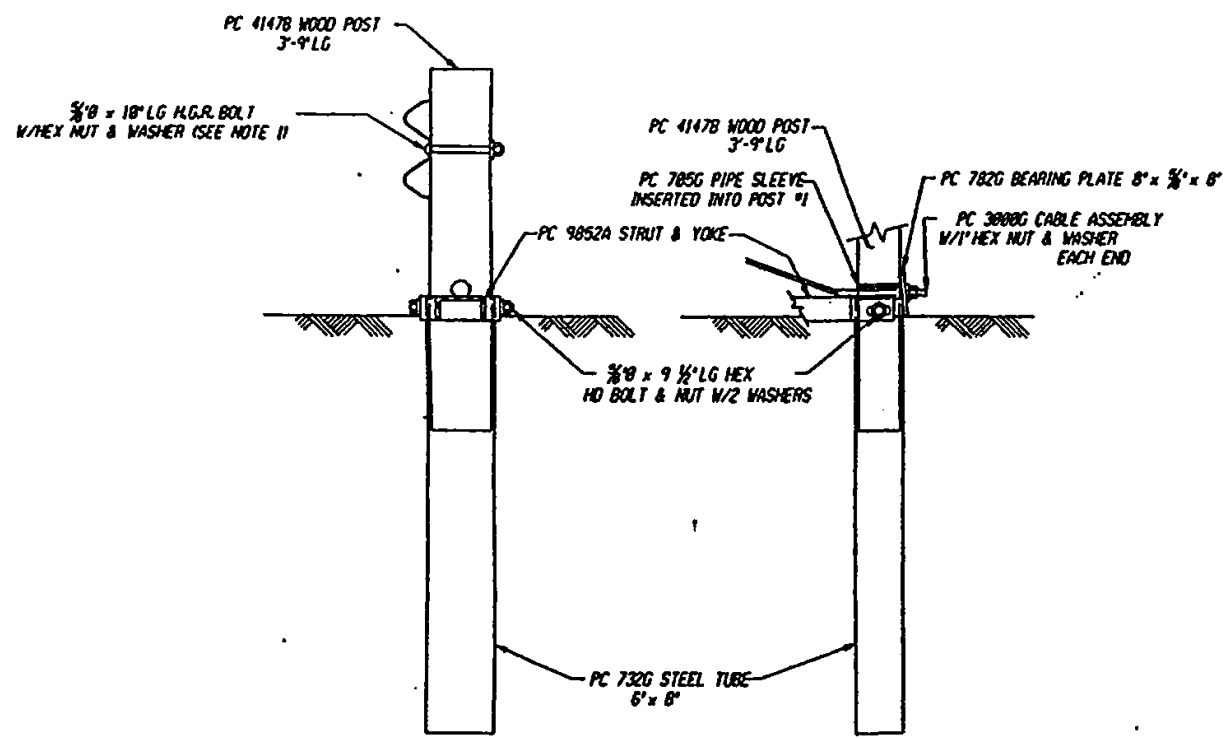
- NOTES:
- 1) THE 3/8" FLAT WASHER IS USED UNDER THE NUT, BEHIND THE POST ONLY. NO WASHER IS USED AT THE RAIL.
 - 2) MANUFACTURER SUGGESTS CUSTOMER TO PROVIDE REFLECTORIZATION OF TERMINAL.
 - 3) IF POSTS ARE TO BE INSTALLED THROUGH CONCRETE PAVEMENT, REFER TO THE INSTALLATION INSTRUCTIONS.

This drawing and the information shown thereon is the sole property of TRINITY INDUSTRIES, INC. Neither the drawing nor such information is to be used for any purpose other than that for which it was specifically furnished by TRINITY INDUSTRIES, INC., nor is any reproduction authorized without written permission.



NOTE: SECTION 'C-C' IS SIMILAR @ POST #5 EXCEPT RAIL IS NOT ATTACHED.

SECTION 'C-C'
(TYP @ POSTS #3, 4, 5, 6 & 7)



SECTION 'A-A'
(@ POST #2)

PARTIAL VIEW @ POST #1

1		REV	CHKD	BY	DATE	REMARKS
ET2000-LET						
ET2000 - LET PLAN, ELEVATION & SECTIONS						DRAWN B.T.
CUSTOMER: _____ P.A. No. _____						CHECKED APPROVED DATE: 12-28-96 DWG. FILE #: SS268A SHEET NO.: 1 OF 1 DRAWING NO.: 55 260 REV.: 1
DALLAS, TX		COLUMBUS, OH		FORT WORTH, TX		
CENTREVILLE, OH		LEMA, OH		ELIZABETHTOWN, KY		