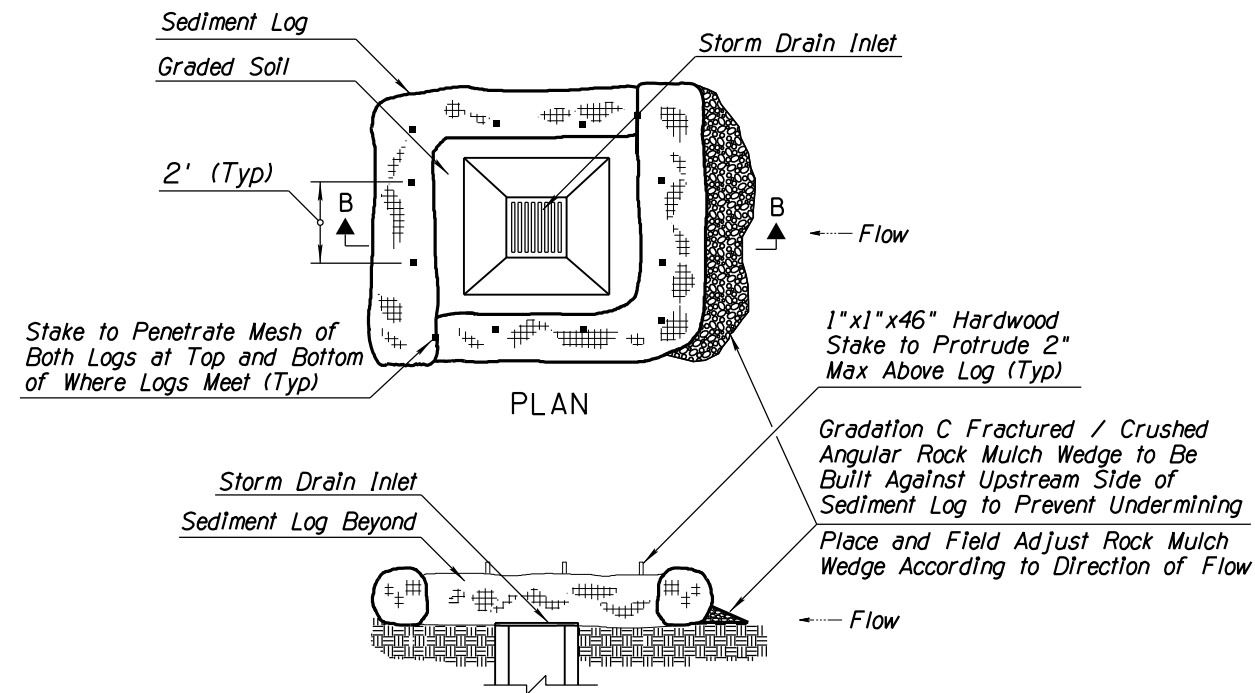
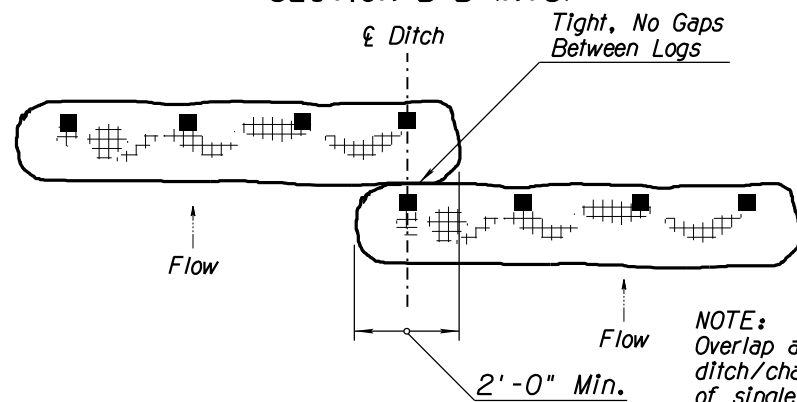


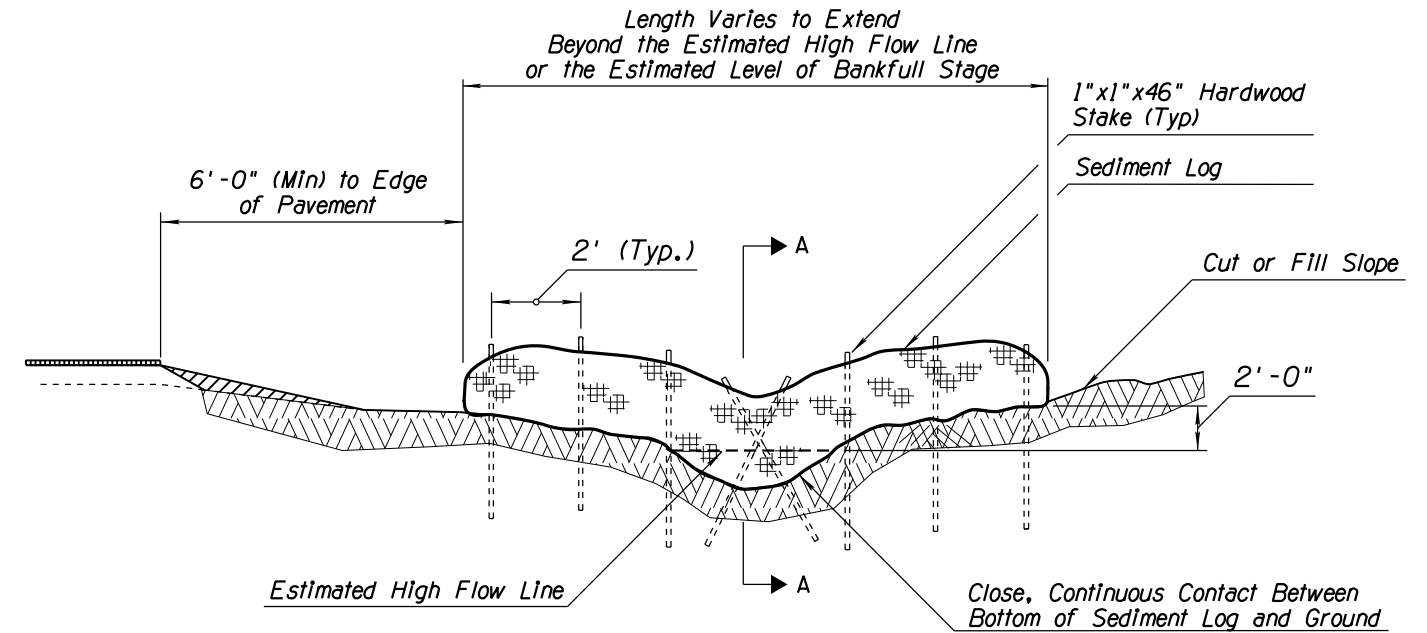
F.H.W.A. REGION	STATE	PROJECT NO.	SHEET NO.	TOTAL SHEETS	RECORD DRAWING
9	ARIZ.				



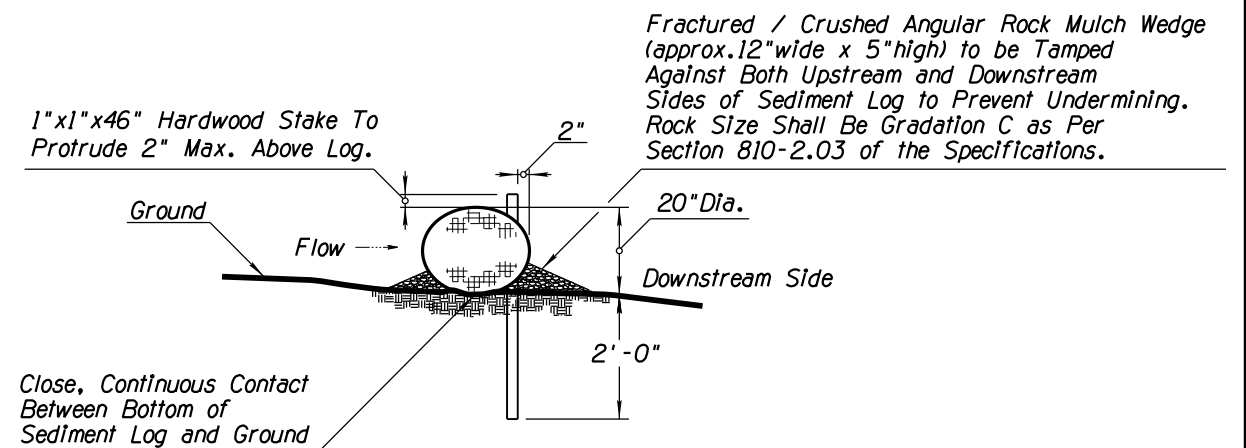
SEDIMENT LOG AT STORM DRAIN SECTION B-B (NTS)



TYPICAL OVERLAP PLAN (NTS)



SEDIMENT LOG IN DITCH/CHANNEL SECTIONAL ELEVATION (NTS)



SECTION A-A (NTS)

NOTES:

- Sediment Logs shall not be installed in the urban freeway medians, nor where cable barrier systems are employed.
- Locate Sediment Logs as indicated in plans, SWPPP or as directed by the Engineer.
- Select, install and maintain Logs per manufacturers' specifications and good engineering practices.
- Lay Sediment Log across prepared roadside ditch or channel. Trenching or burial of Sediment Logs is not required. The close, continuous contact between the bottom of the Log and the ground is mandatory. The Logs shall be installed in the roadside ditch, swale or channel bottom perpendicular to the flow of water as shown on detail this sheet.
- Stake Log as shown. Stakes shall be placed through downstream side only as shown.
- DO NOT drive stakes through center of the Log. Stakes must be driven into the ground as shown.
- Ensure that no gaps exist between soil and bottom of Sediment Log. Repair any rills or undercuts promptly.
- Placement of Sediment Logs shall be evaluated by the Engineer in rocky soil conditions.
- Remove Sediment Log CMs/BMPs within the ditches/channels and around the storm drain inlets as per the direction of the Engineer or as soon as practicable upon stabilization of the construction disturbed area.
- Dispose of Sediment Logs and trapped sediment material and fill trench created by Sediment Log.
- The installation and maintenance of Sediment Log CMs/BMPs shall not negatively impact traffic safety, nor the designed function of roadway or bridge drainage facilities. Sediment Logs shall be installed and maintained to carry the stormwater of at least 2-year, 24-hour events.
- Make field adjustments and corrections of Sediment Log CM/BMP immediately if it is causing flooding, erosion, and/or affecting roadway safety.
- Rock mulch/riprap may be required for channel/ditch lining or rock check dams for longitudinal ditch slopes that exceed 5% and/or for soil conditions not suitable for Log installation.
- The Sediment Log CM/BMP's pay/bid item shall include all materials used for this CM/BMP: all ground preparation, furnishing, installing, maintenance, final removal, and disposal, as well as returning the area to an acceptable condition as approved by the Engineer.
- Refer to Specification Section 810-2.06(B) for Sediment Log material specifications.
- Make field adjustments and corrections to ensure NO sensitive biological resources (native species / habitats) will be adversely impacted.
- Construct Rock Wedge with angular-shaped Gradation C Rock Mulch as defined in Section 810-2.03 of the Specifications and project special provisions. Natural river-run materials such as rounded river rocks/cobblestones and pebbles are NOT acceptable.

# DETAIL ES1

## SEDIMENT LOG

DESIGN	NAME	DATE	ARIZONA DEPARTMENT OF TRANSPORTATION INFRASTRUCTURE DELIVERY AND OPERATIONS DIVISION
DESIGN	TAO ZI FONG	6-2020	ROADSIDE DEVELOPMENT SECTION
DESIGN	HAN MENG	6-2020	
DRAWN	TAO ZI FONG	6-2020	STORMWATER QUALITY PROTECTION & EROSION/SEDIMENT CONTROL DETAILS
DRAWN	HAN MENG	6-2020	
CHECKED	JOHN R. HUCKO	6-2020	
TEAM LEADER	E LEROY BRADY	6-2020	
ROUTE	MP	LOCATION	

TRACS NO.

SHEET OF  
OF