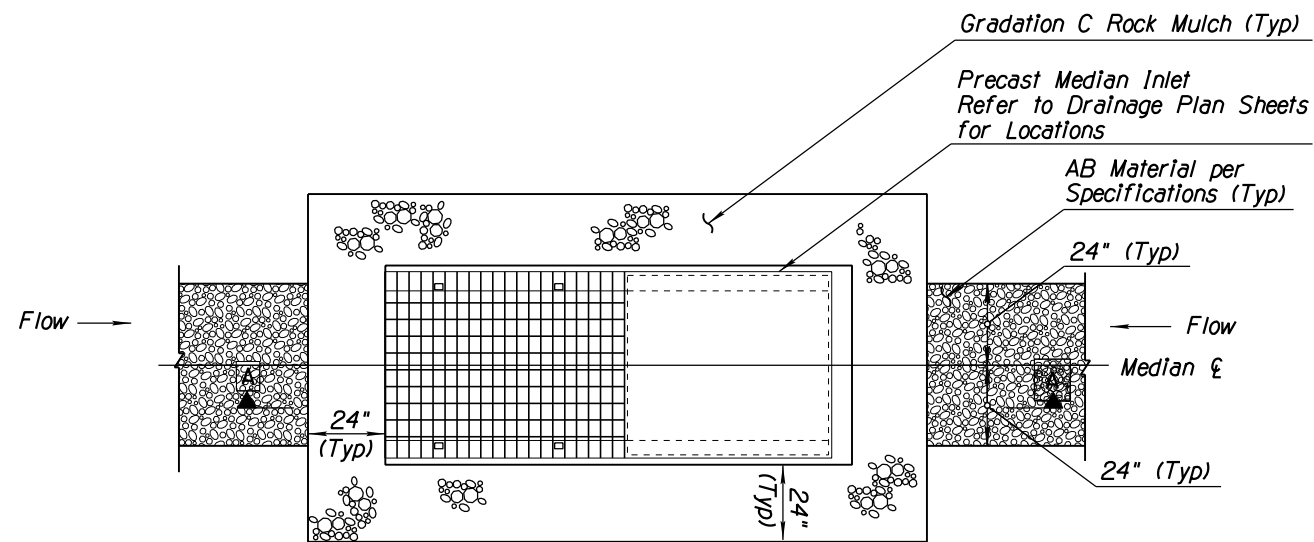
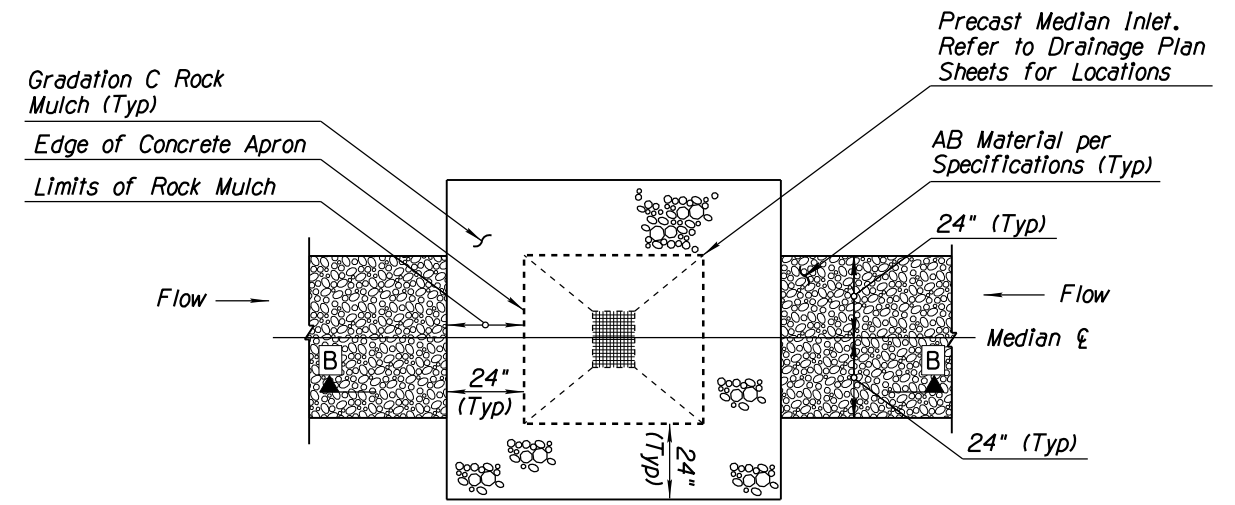


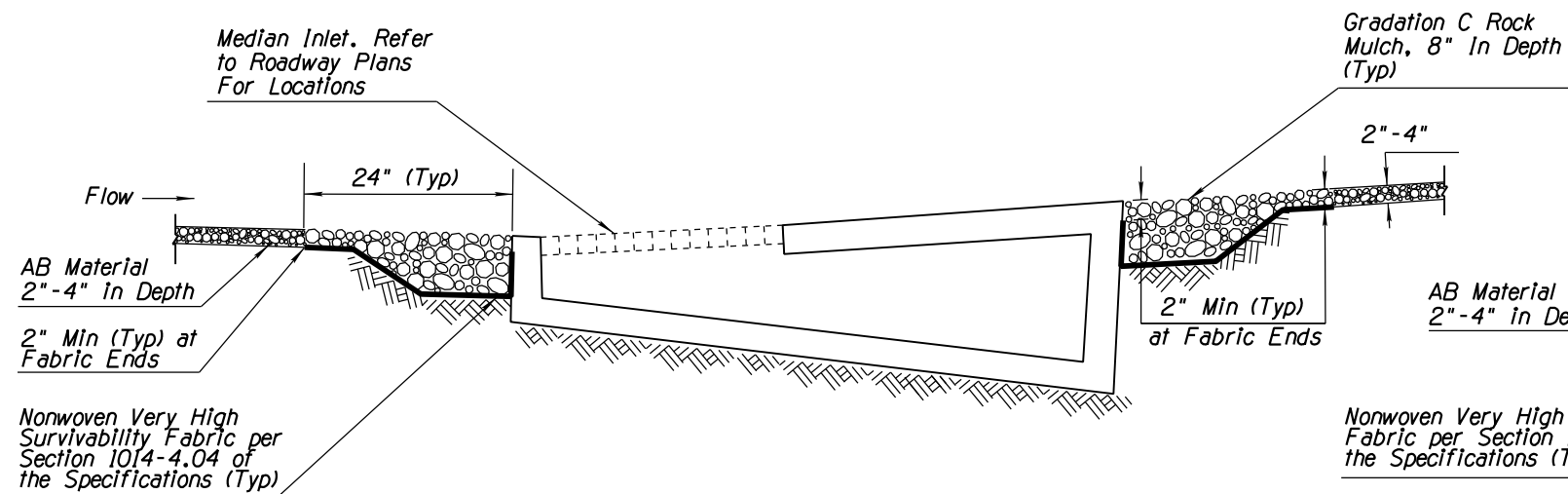
F.H.W.A. REGION	STATE	PROJECT NO.	SHEET NO.	TOTAL SHEETS	RECORD DRAWING
9	ARIZ.				



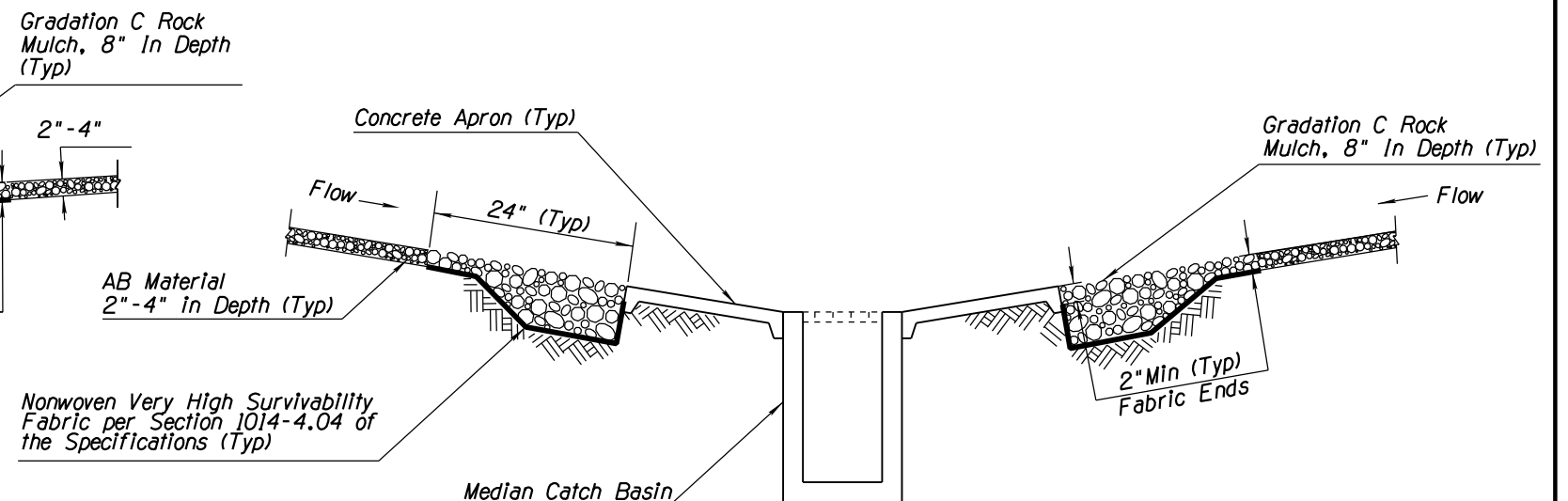
PLAN (NTS)



PLAN (NTS)



SECTION A-A (NTS)



SECTION B-B (NTS)

NOTES:

- The depth of AB may be adjusted at the direction of the Engineer.
- Refer to Roadway and Drainage Plans and Details for locations of Inlets and Catch Basins.
- Nonwoven Very High Survivability Fabric shall conform to the standards of Section 1014-4.04 of the Specifications.
- Place Gradation C Rock Mulch and shape as shown on the Detail. Rock Mulch materials shall be fractured/crushed rocks in angular shape as defined in the sub-section 810-2.03 of Specifications and project special provisions. Natural river-run materials such as rounded river rocks/cobblestones and pebbles are NOT acceptable.
- Make field adjustments and corrections of Median Inlet Protection CM/BMP immediately if it is causing flooding erosion and/or affecting roadway safety.
- Make field adjustments and corrections to ensure NO sensitive biological resources (native species / habitats) will be adversely impacted.

DETAIL ES14

MEDIAN INLET PROTECTION

DESIGN	NAME	DATE	ARIZONA DEPARTMENT OF TRANSPORTATION INFRASTRUCTURE DELIVERY AND OPERATIONS DIVISION ROADSIDE DEVELOPMENT SECTION
DESIGN	TAO ZI FONG	6-2020	STORMWATER QUALITY PROTECTION & EROSION/SEDIMENT CONTROL DETAILS
DRAWN	HAN MENG	6-2020	
DRAWN	TAO ZI FONG	6-2020	
DRAWN	HAN MENG	6-2020	
CHECKED	JOHN R. HUCKO	6-2020	
TEAM LEADER	E LEROY BRADY	6-2020	
ROUTE	MP	LOCATION	
TRACS NO.			SHEET OF
			OF