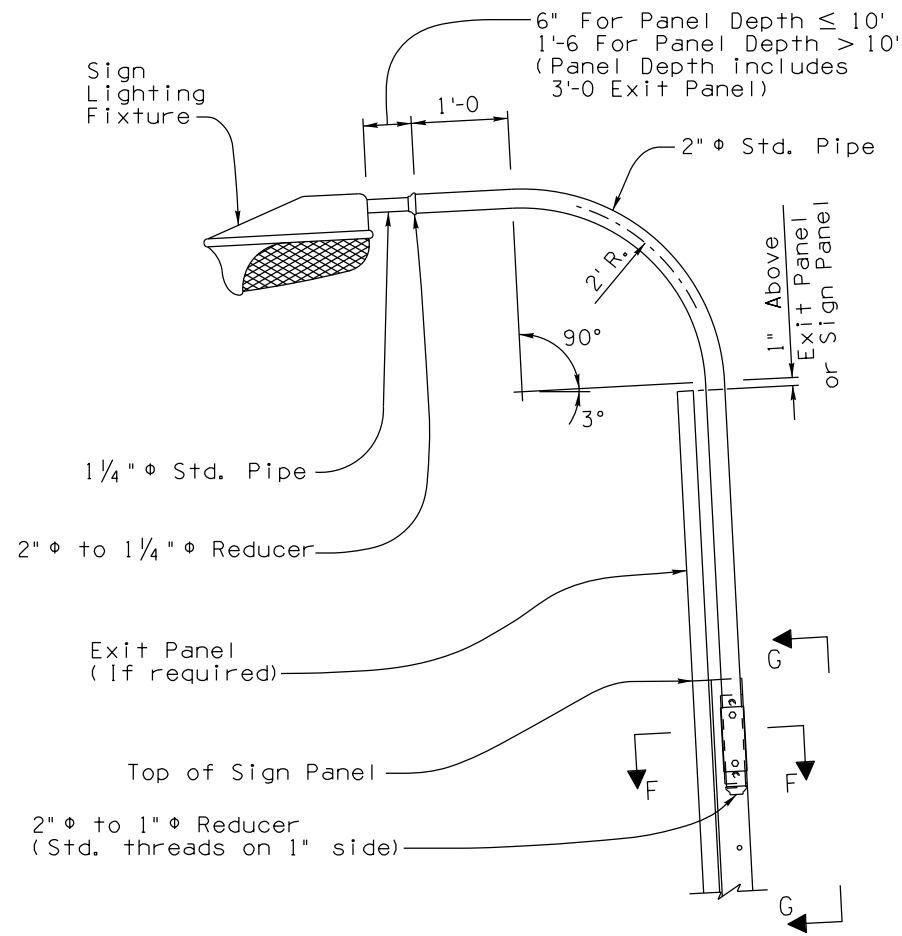
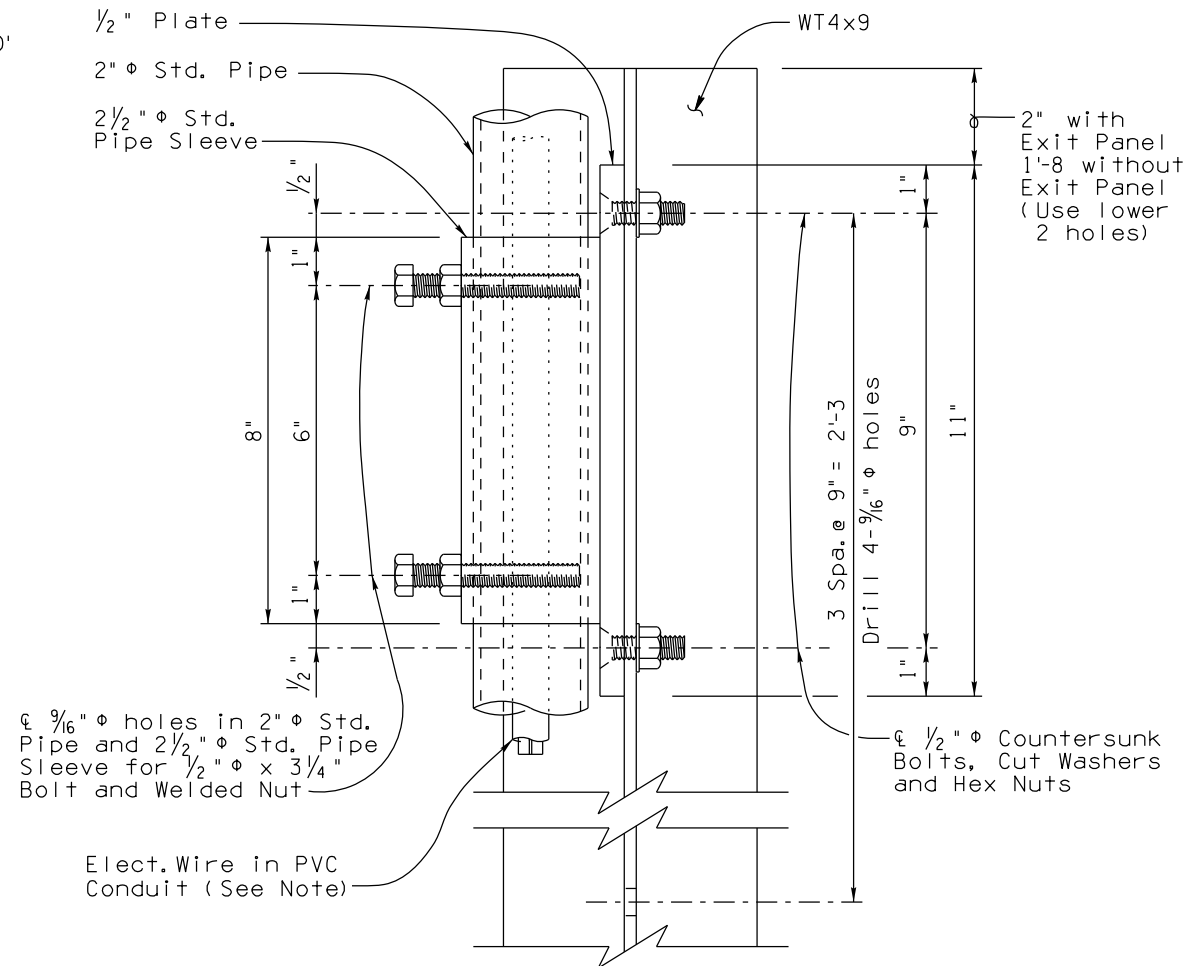


Note to Designer:  
 The information presented in this Standard Drawing has been prepared in accordance with recognized engineering principles and is for general use. It should not be used for specific application without competent professional examination and verification of its suitability and applicability by a licensed professional engineer. Contents within the inner border line shall not be altered.

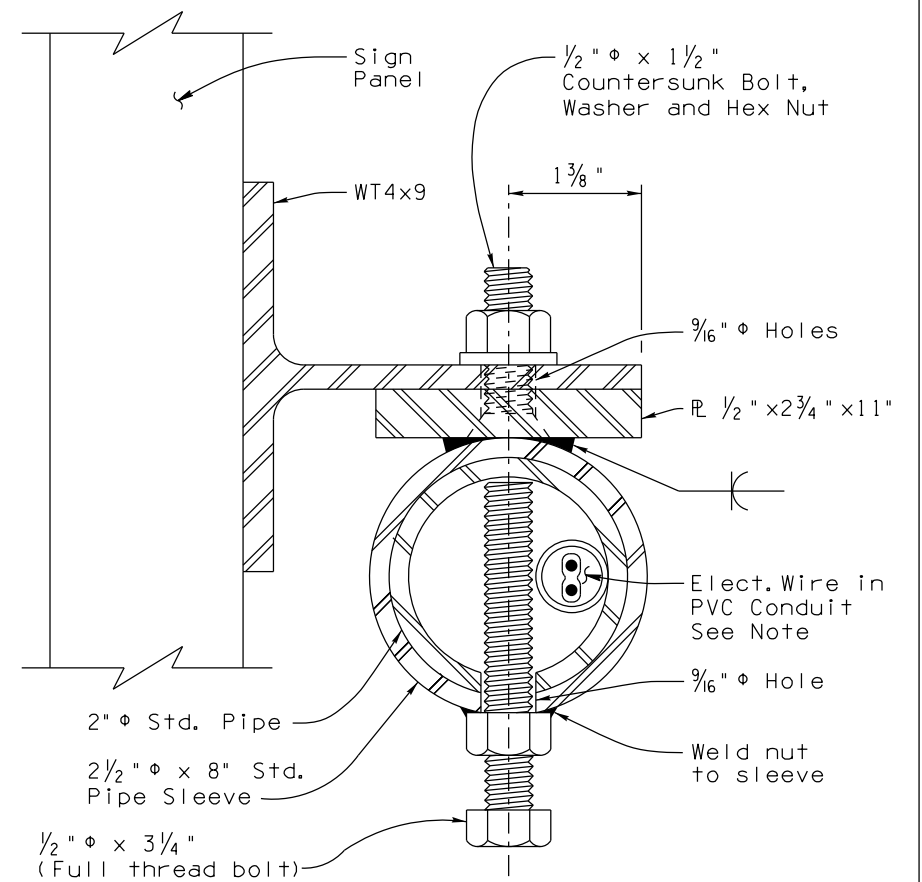


SIDE VIEW

OVERHEAD LIGHT SUPPORT MOUNTING DETAIL



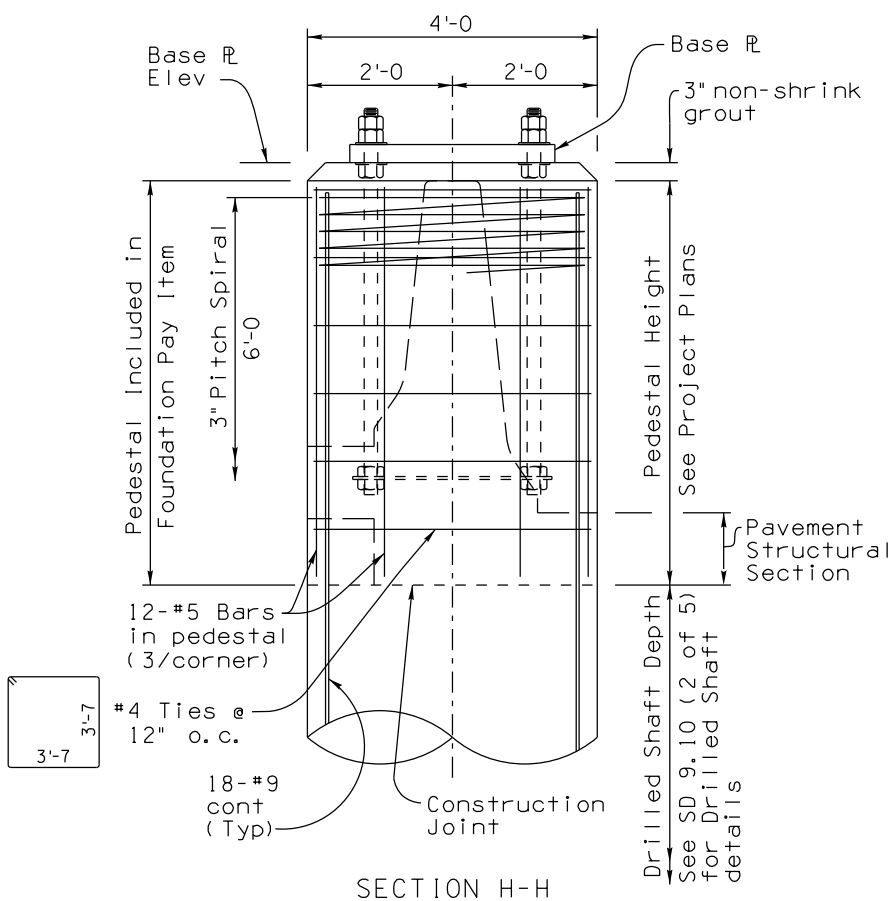
ELEVATION G-G



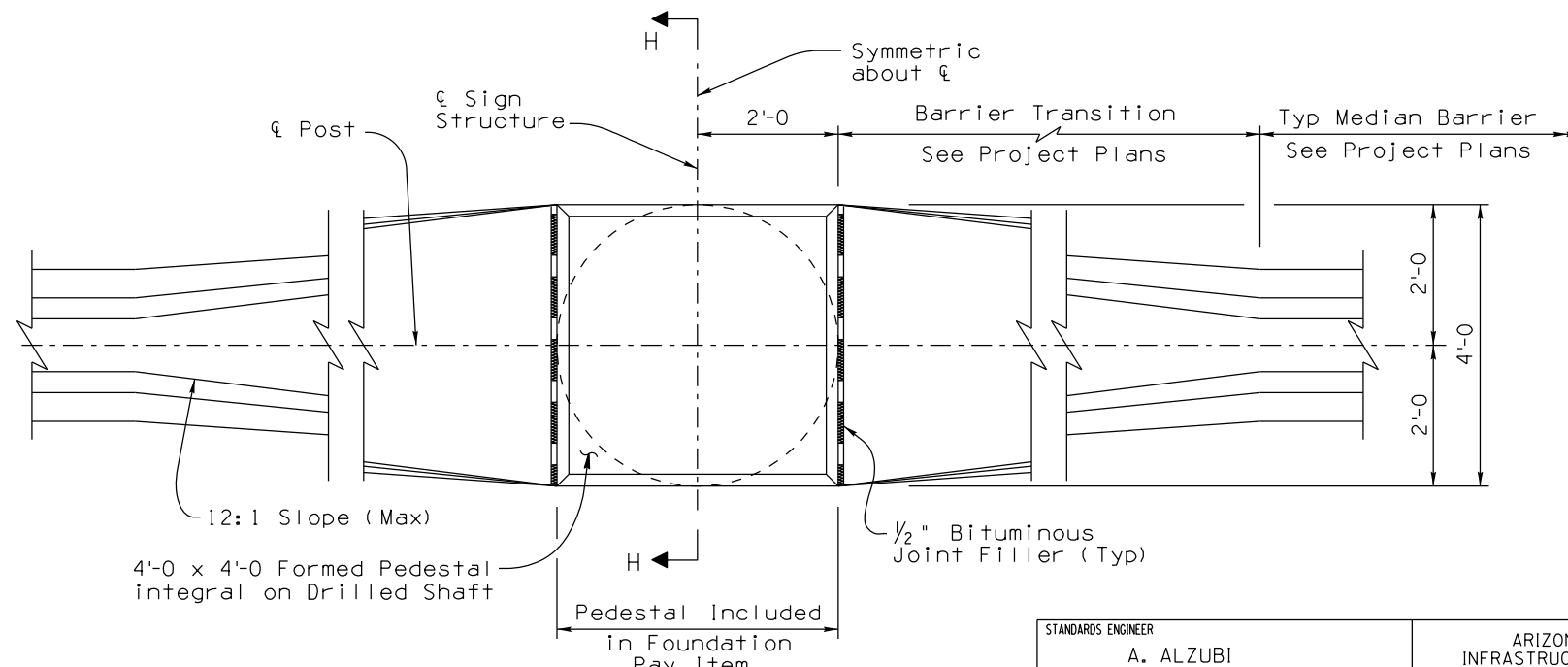
SECTION F-F

Note:

Electrical wire shall be placed in PVC conduit and secured away from bolt tip (See traffic plans for more details)



SECTION H-H



PLAN

TUBULAR POST ON BARRIER PEDESTAL

STANDARDS ENGINEER A. ALZUBI	ARIZONA DEPARTMENT OF TRANSPORTATION INFRASTRUCTURE DELIVERY AND OPERATIONS DIVISION <b>BRIDGE GROUP STANDARD DRAWING</b>
RECOMMENDED FOR APPROVAL GROUP MANAGER D. BENTON	
APPROVED	TUBULAR SIGN STRUCTURES TUBULAR CANTILEVER LIGHT SUPPORT DETAILS
STANDARDS COMMITTEE APPROVED FOR DISTRIBUTION	DRAWING NO. SD 9.10 (5 of 5)

DATE 09/23
---------------