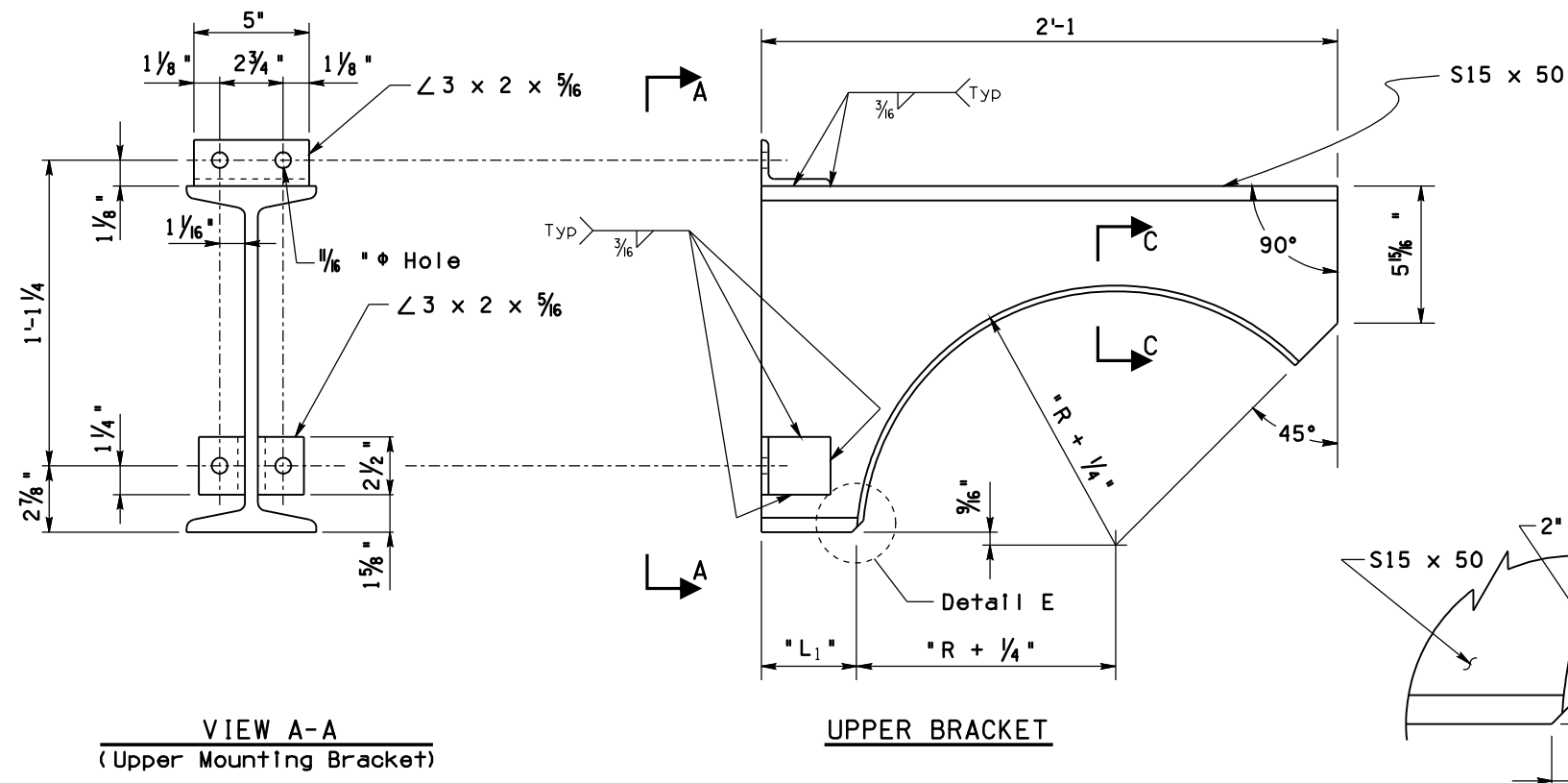


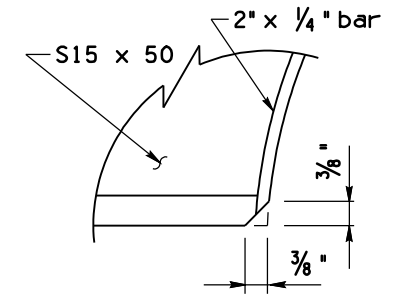
Note to Designer: The information presented in this Standard Drawing has been prepared in accordance with recognized engineering principles and is for general use. It should not be used for specific application without competent professional examination and verification of its suitability and applicability by a licensed professional engineer. Contents within the inner border line shall not be altered.

PRIOR DISTRIBUTION DATE 01/15

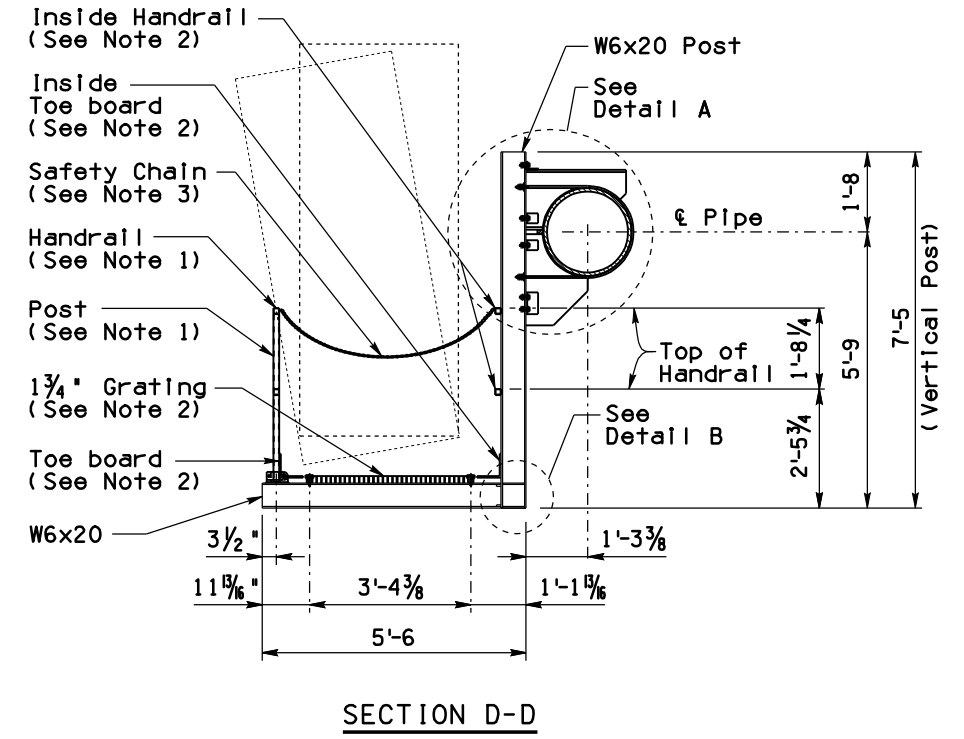


**VIEW A-A**  
(Upper Mounting Bracket)

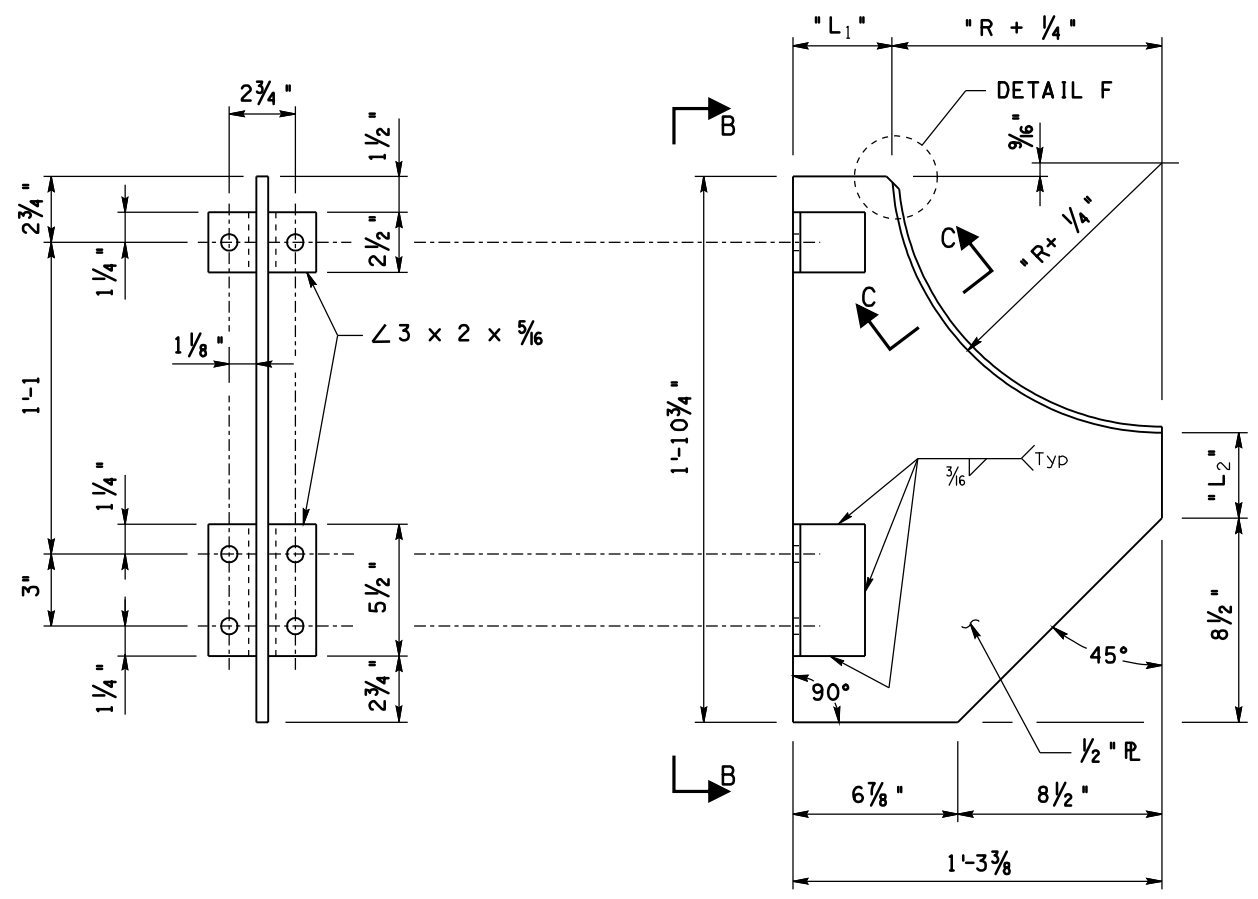
**UPPER BRACKET**



**DETAIL E**

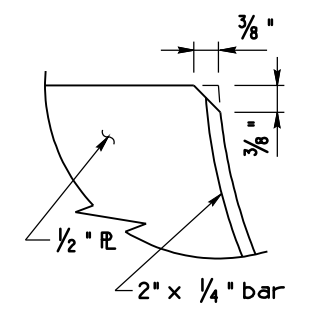


**SECTION D-D**

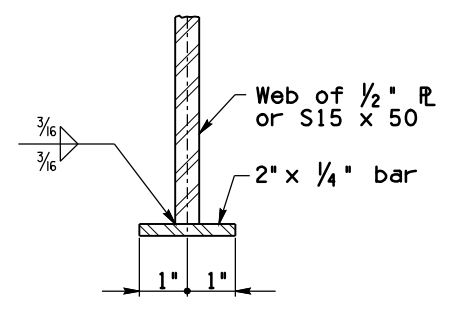


**VIEW B-B**  
(Lower Mounting Bracket)

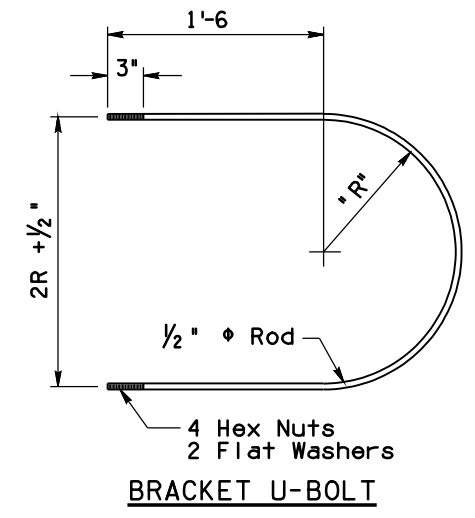
**LOWER BRACKET**



**DETAIL F**



**SECTION C-C**



**BRACKET U-BOLT**

**NOTES:**

1. See SD 9.53 (4 of 5) for handrail, post and hinge details.
2. See SD 9.53 (5 of 5) for inside handrails, grating and toeboard details.
3. 3/16" galvanized safety chain with (1) 1/4" snap hook at end of both catwalks.
4. See SD 9.53 (2 of 5) for Detail A.
5. See SD 9.53 (2 of 5) for Detail B.
6. Optional mast arm field splice, if any, shall not interfere with catwalk supports.

Frame Type	Nominal Pipe Dia.	R	L <sub>1</sub>	L <sub>2</sub>
2F	16"	8"	7 7/8"	6 9/16"
3F	20"	10"	5 5/8"	4 7/16"
4F	22"	11"	4 7/8"	3 9/16"

STANDARDS ENGINEER  
**A. ALZUBI**  
 RECOMMENDED FOR APPROVAL  
 GROUP MANAGER  
 APPROVED  
**D. EBERHART**  
 STANDARDS COMMITTEE APPROVED FOR DISTRIBUTION  
 DATE 04/19

ARIZONA DEPARTMENT OF TRANSPORTATION  
 INFRASTRUCTURE DELIVERY AND OPERATIONS DIVISION  
 BRIDGE GROUP STANDARD DRAWING

**DMS (VARIABLE TILT CABINET)  
 TUBULAR FRAME  
 MOUNTING DETAILS**

DRAWING NO.  
**SD 9.53  
 (3 of 5)**