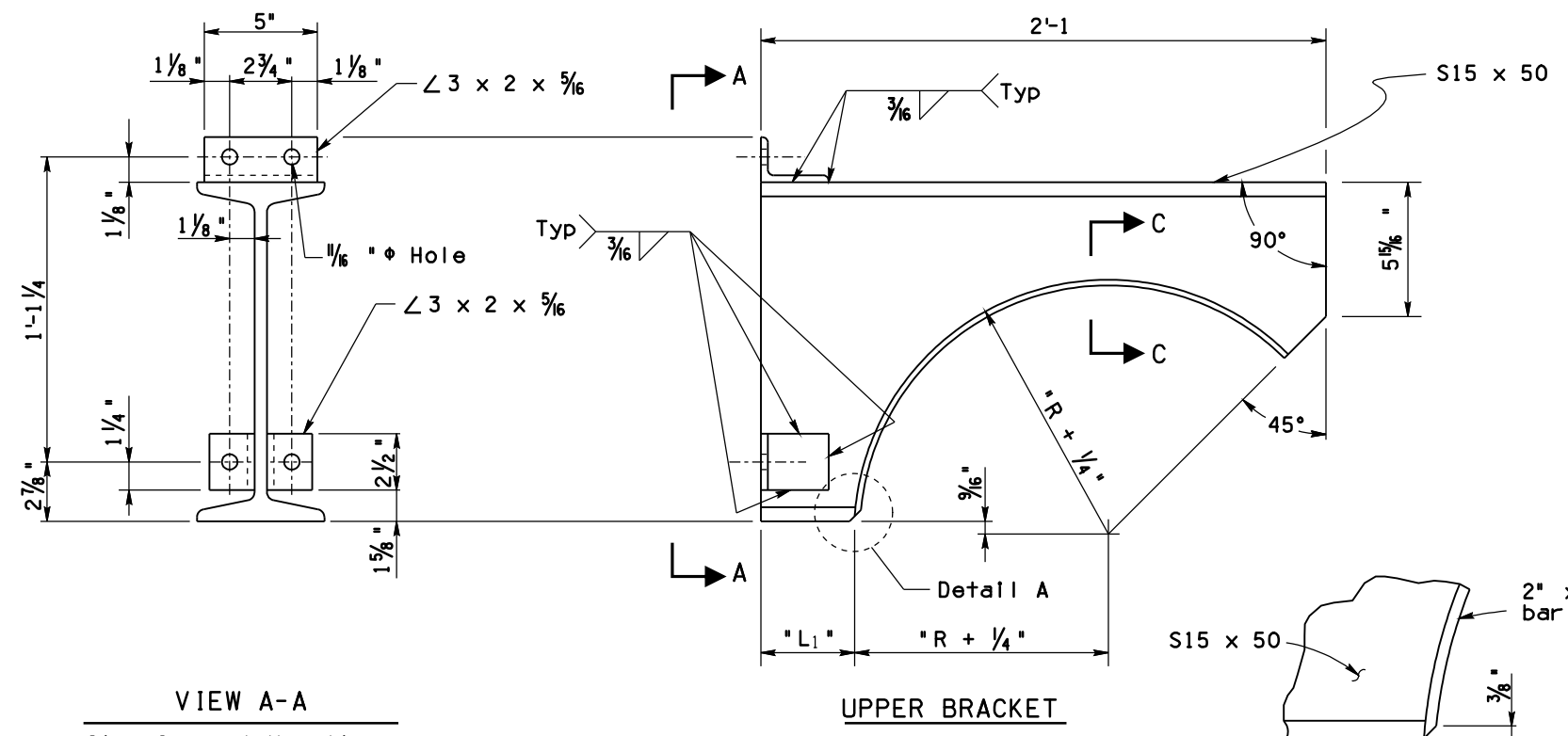
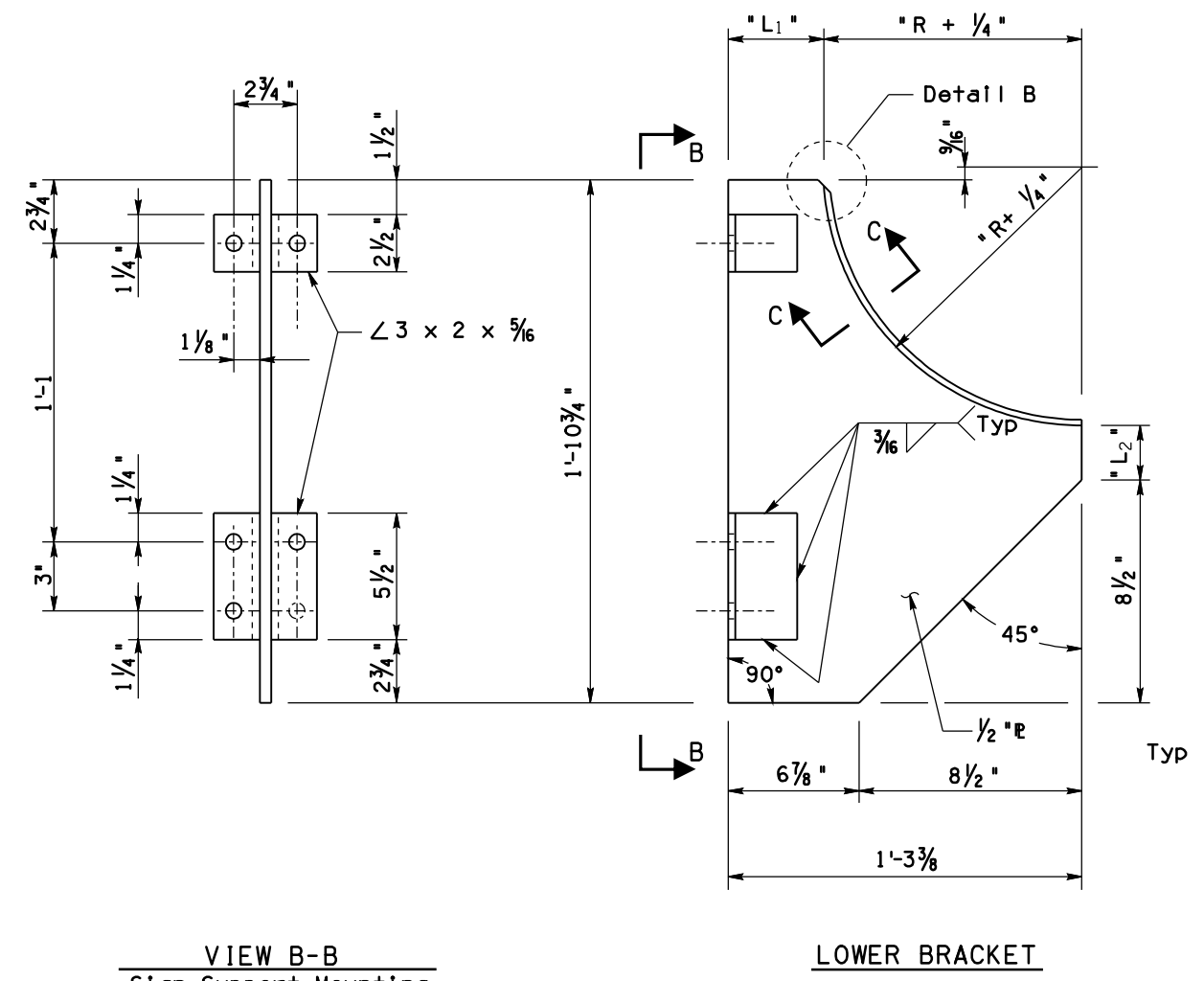


Note to Designer: The information presented in this Standard Drawing has been prepared in accordance with recognized engineering principles and is for general use. It should not be used for specific application without competent professional examination and verification of its suitability and applicability by a licensed professional engineer. Contents within the inner border line shall not be altered.

PRIOR DISTRIBUTION DATE 08/02

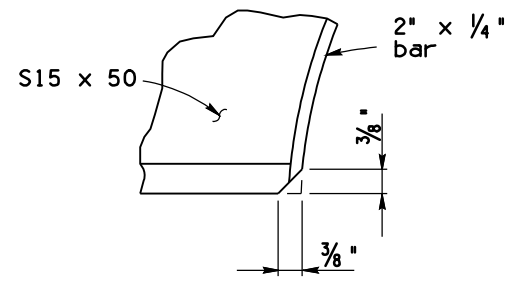


VIEW A-A
Sign Support Mounting - Upper Bracket

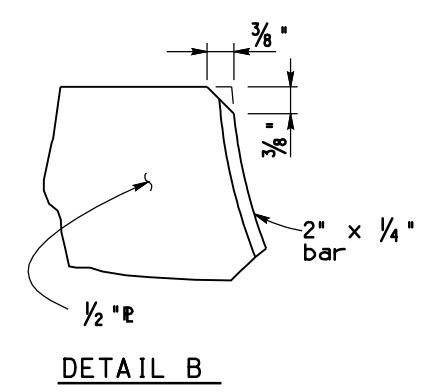


VIEW B-B
Sign Support Mounting - Lower Bracket

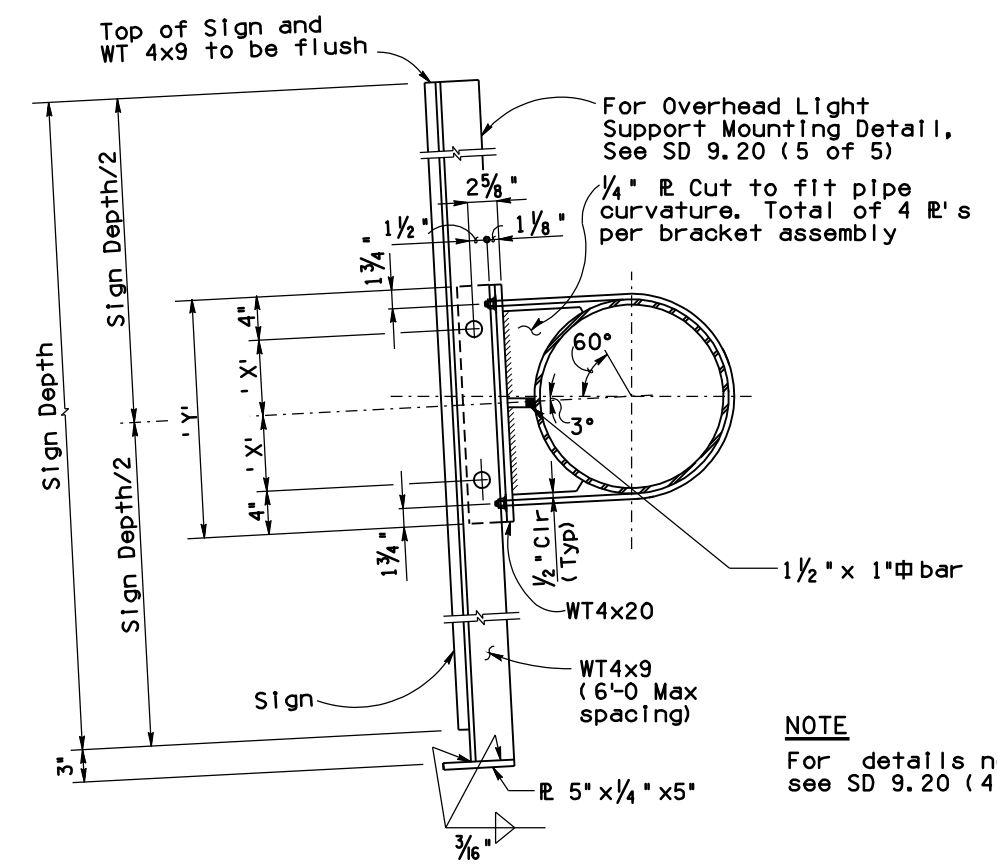
LOWER BRACKET



DETAIL A

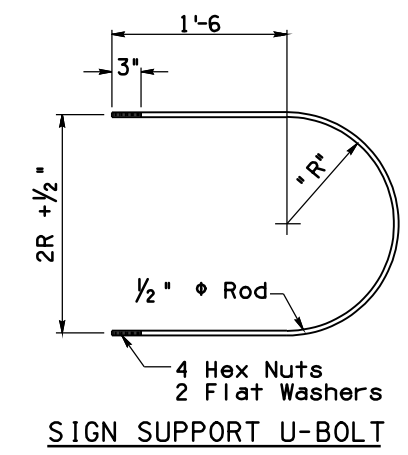


DETAIL B



SECTION B-B

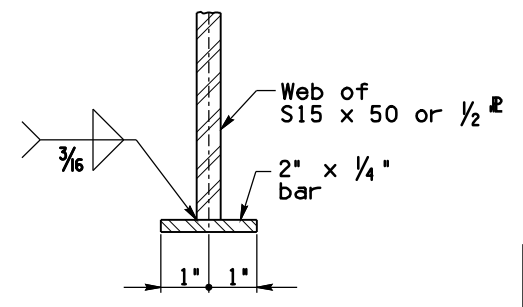
NOTE
For details not shown see SD 9.20 (4 of 5)



SIGN SUPPORT U-BOLT

| Pipe O. D. | Distance | |
|------------|----------|----------|
| | 'X' | 'Y' |
| 12 3/4" | 4 3/8" | 1-4 3/4" |
| 16" | 6" | 1'-8" |
| 20" | 8" | 2'-0" |
| 22" | 9" | 2'-2" |

| Frame Type | Nominal Pipe Dia | R | L ₁ | L ₂ |
|------------|------------------|--------|----------------|----------------|
| 1F | 12" | 6 3/8" | 8 3/4" | 8 3/16" |
| 2F | 16" | 8" | 7 7/8" | 6 5/16" |
| 3F | 20" | 10" | 5 7/8" | 4 5/16" |
| 4F | 22" | 11" | 4 7/8" | 3 5/16" |



SECTION C-C

STANDARDS ENGINEER
A. ALZUBI
 RECOMMENDED FOR APPROVAL
 GROUP MANAGER
D. EBERHART
 APPROVED
 STANDARDS COMMITTEE APPROVED FOR DISTRIBUTION DATE 04/19

ARIZONA DEPARTMENT OF TRANSPORTATION
 INFRASTRUCTURE DELIVERY AND OPERATIONS DIVISION
 BRIDGE GROUP STANDARD DRAWING

**VARIABLE MESSAGE SIGN
 TUBULAR FRAME MOUNTING AND
 SIGN BRACKET DETAILS**

DRAWING NO.
SD 9.50
 (3 of 5)