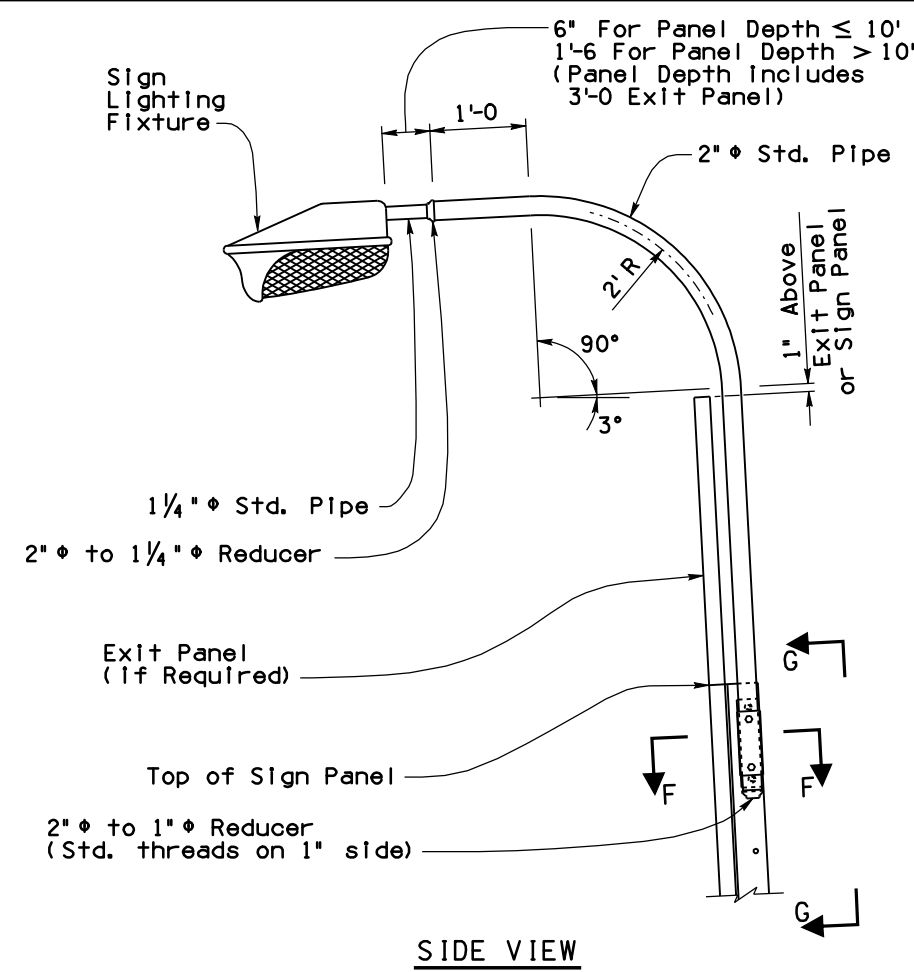
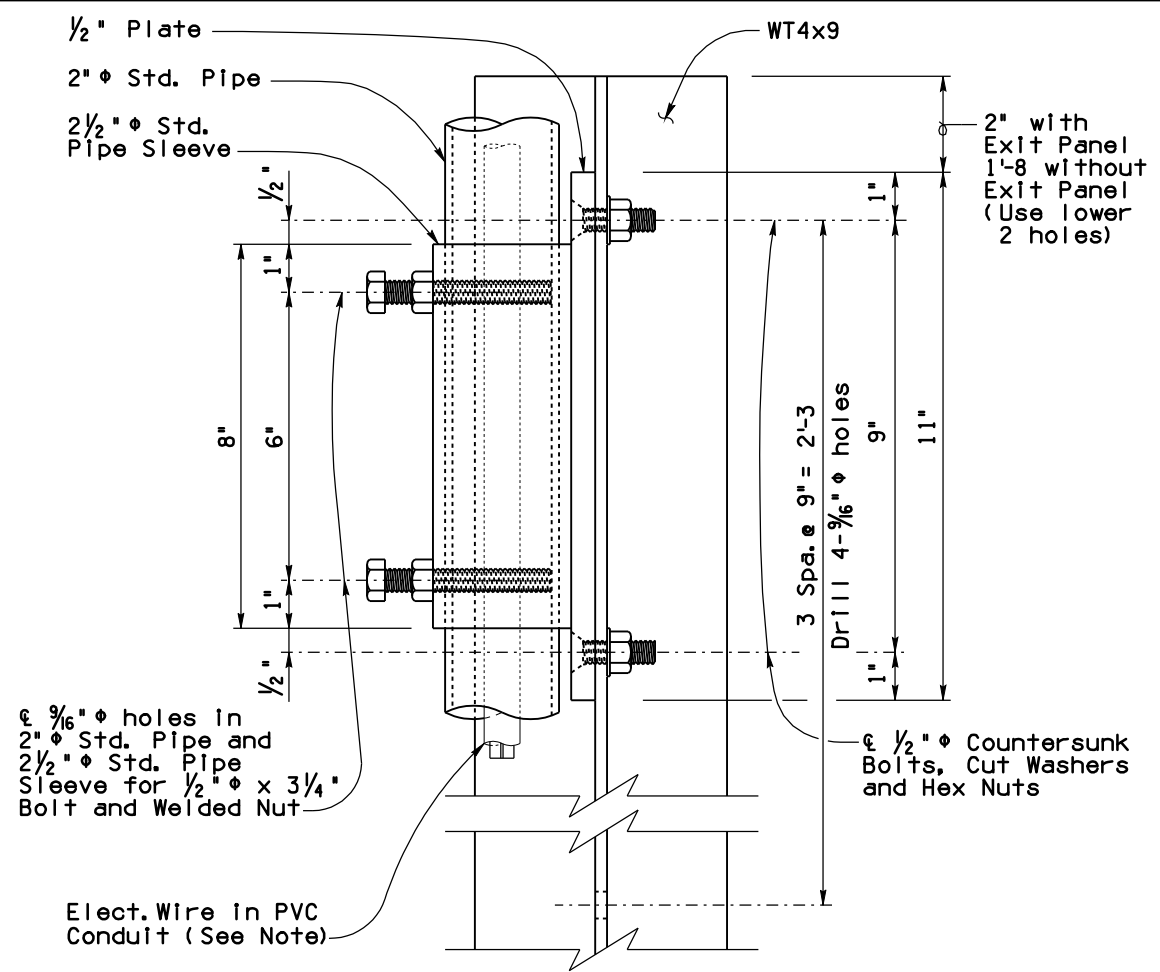


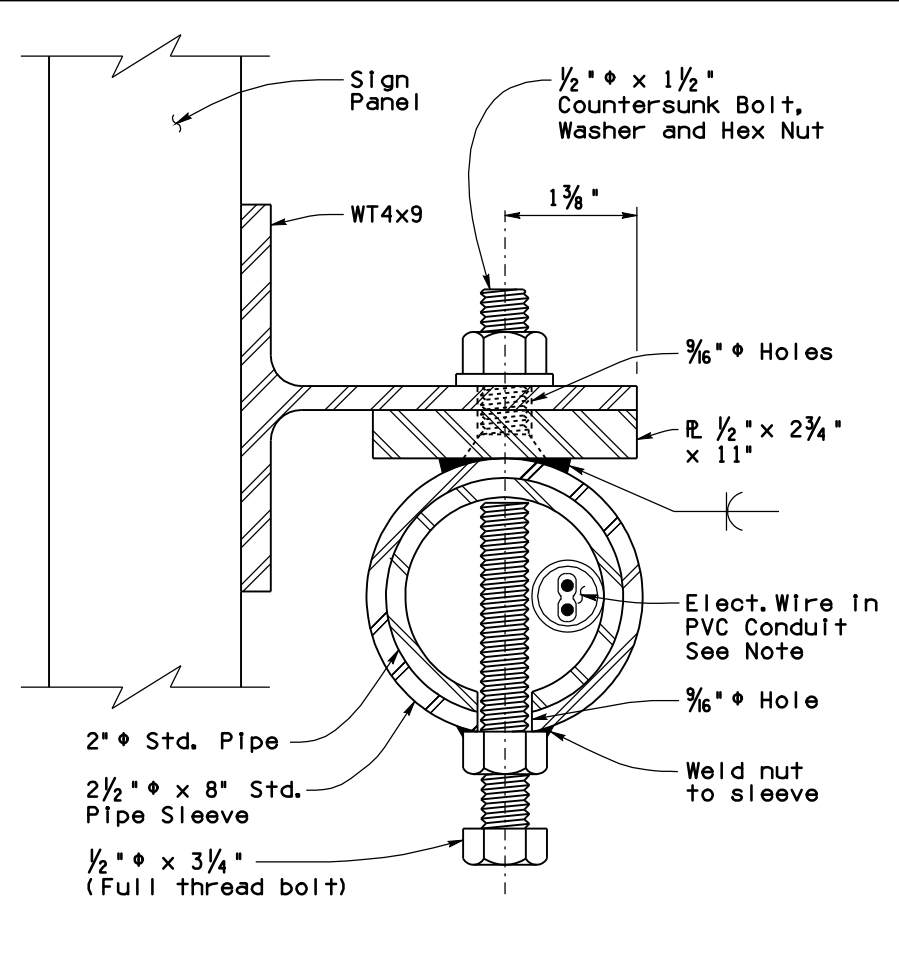
Note to Designer: The information presented in this Standard Drawing has been prepared in accordance with recognized engineering principles and is for general use. It should not be used for specific application without competent professional examination and verification of its suitability and applicability by a licensed professional engineer. Contents within the inner border line shall not be altered.



OVERHEAD LIGHT SUPPORT MOUNTING DETAIL

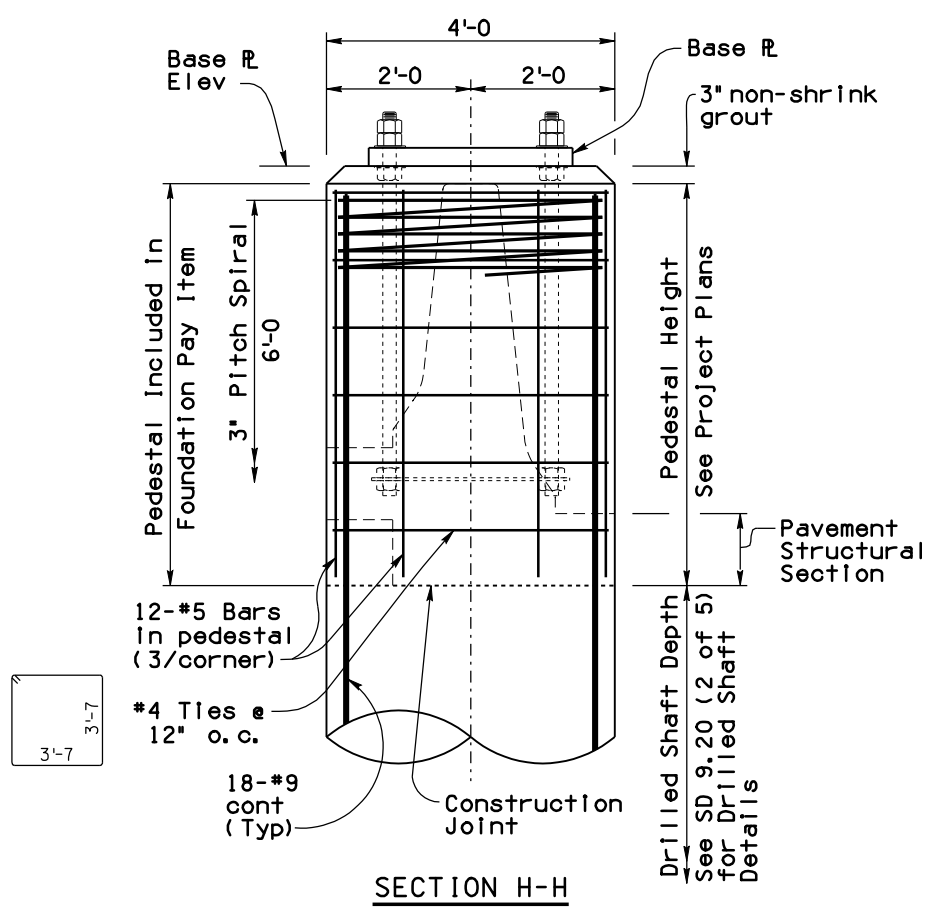


ELEVATION G-G

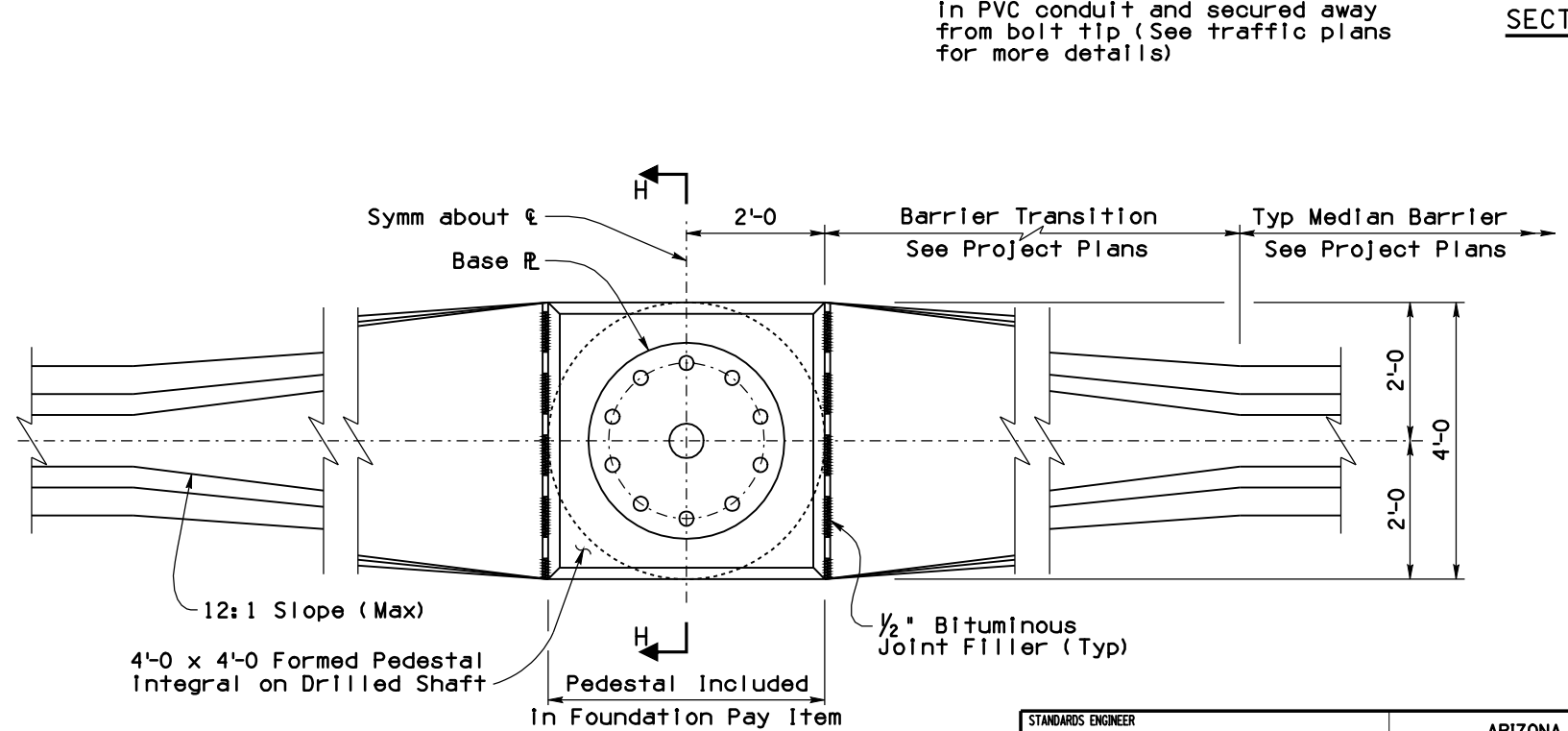


SECTION F-F

Note:
 Electrical wire shall be placed in PVC conduit and secured away from bolt tip (See traffic plans for more details)



SECTION H-H



PLAN
TUBULAR POST ON BARRIER PEDESTAL

3-7
 3-7
 03/11
 PRIOR DISTRIBUTION DATE

STANDARDS ENGINEER
A. ALZUBI
 RECOMMENDED FOR APPROVAL
 GROUP MANAGER
D. EBERHART
 APPROVED
 STANDARDS COMMITTEE APPROVED FOR DISTRIBUTION
 DATE 04/19

ARIZONA DEPARTMENT OF TRANSPORTATION
 INFRASTRUCTURE DELIVERY AND OPERATIONS DIVISION
 BRIDGE GROUP STANDARD DRAWING
**TUBULAR SIGN STRUCTURES
 TUBULAR FRAME
 LIGHT SUPPORT DETAILS**
 DRAWING NO.
**SD 9.20
 (5 of 5)**