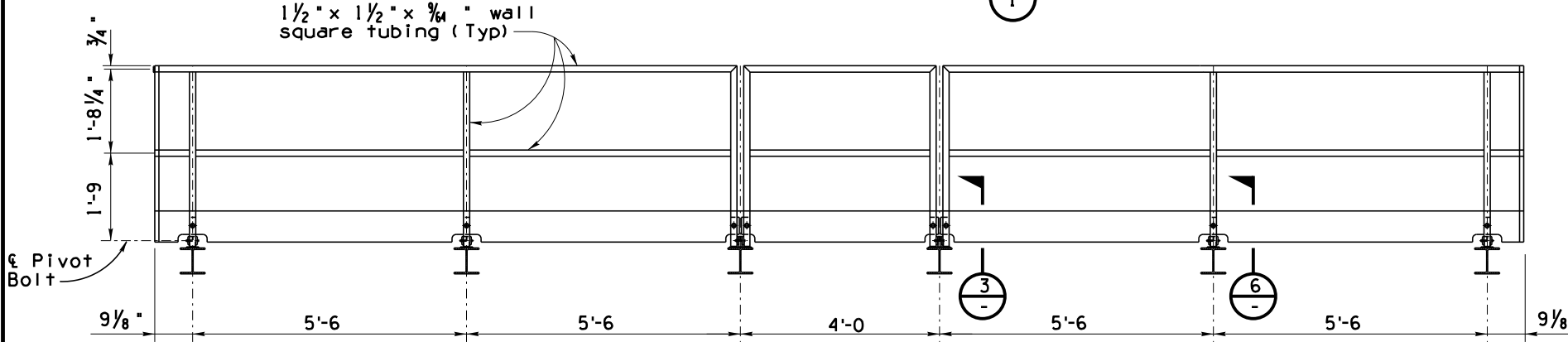
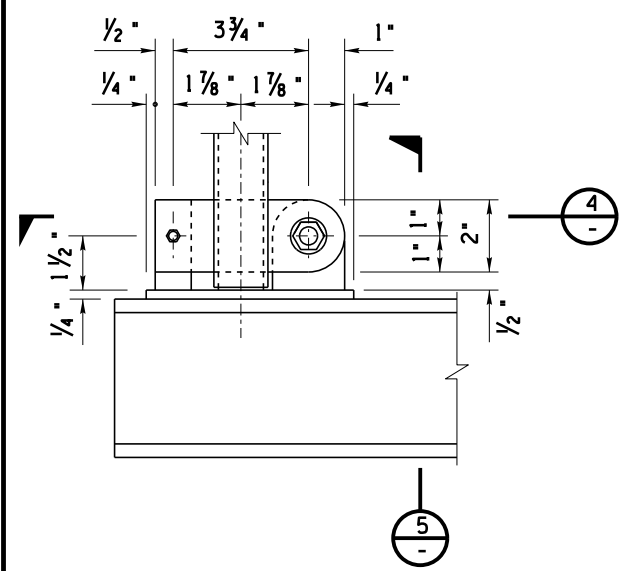


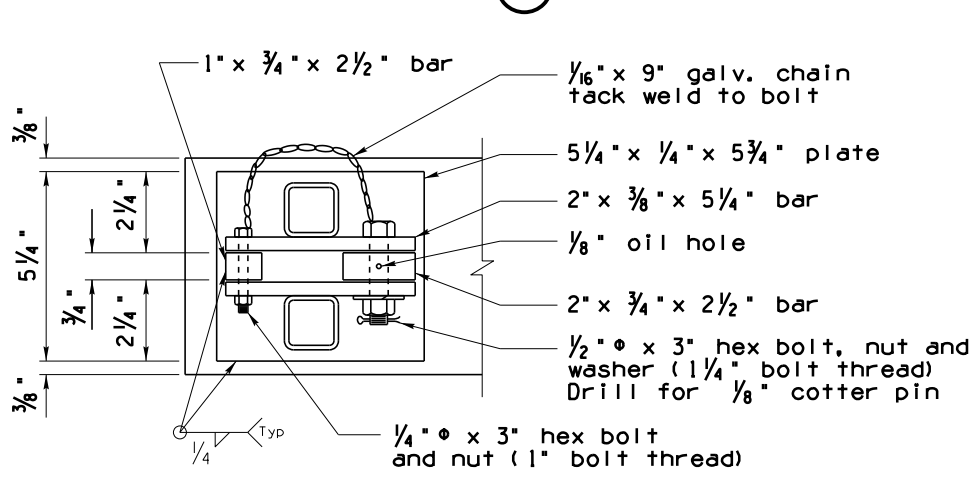
CATWALK PLAN VIEW (1)



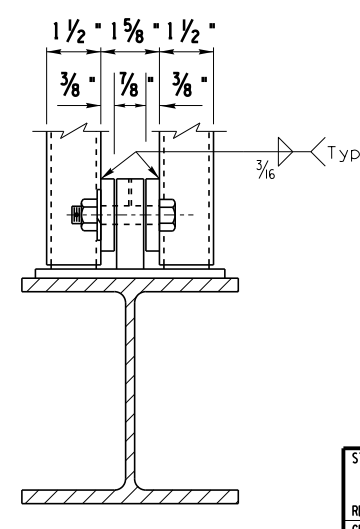
NOTE:
Provide 5/8" holes for 1/2" pivot bolts and 3/8" holes for 1/4" lock bolts



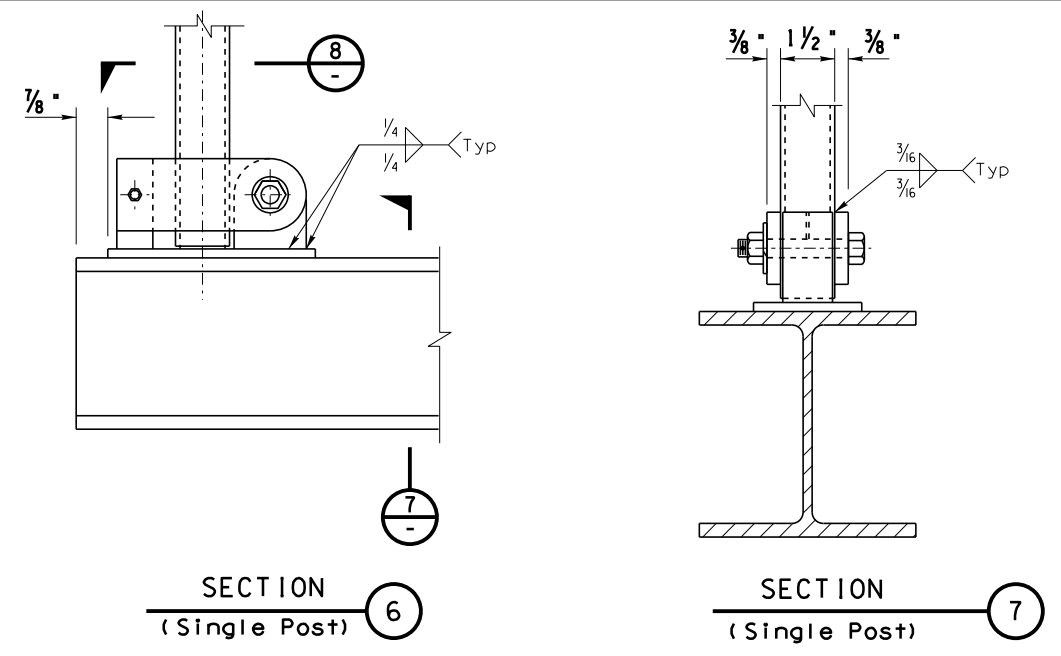
HANDRAIL ELEVATION (2)



SECTION (4) (Dual Post)

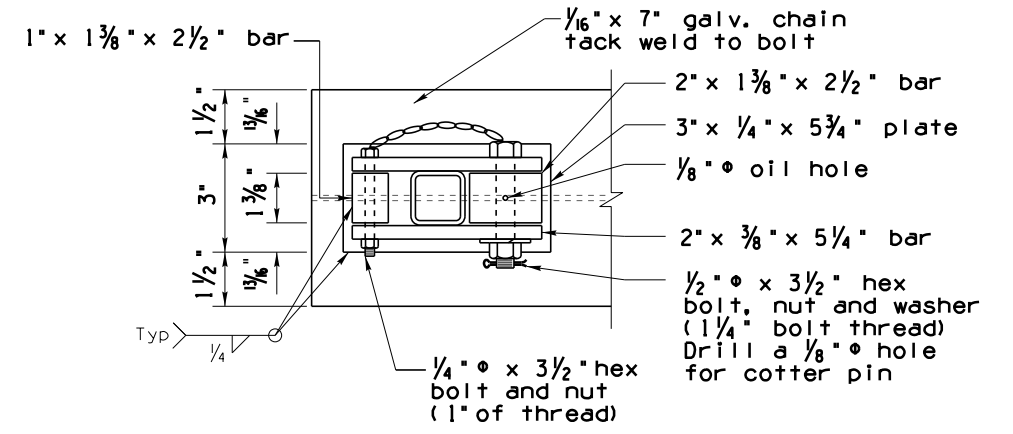


SECTION (5) (Dual Post)

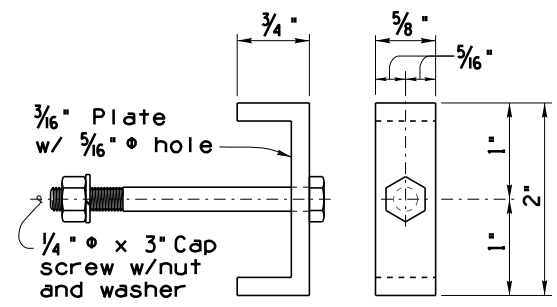


SECTION (6) (Single Post)

SECTION (7) (Single Post)



SECTION (8) (Single Post)



DETAIL 5 GRATING CLIP

STANDARDS ENGINEER
A. ALZUBI
RECOMMENDED FOR APPROVAL
GROUP MANAGER
D. EBERHART
APPROVED
STANDARDS COMMITTEE APPROVED FOR DISTRIBUTION

ARIZONA DEPARTMENT OF TRANSPORTATION
INFRASTRUCTURE DELIVERY AND OPERATIONS DIVISION
BRIDGE GROUP STANDARD DRAWING

**DYNAMIC MESSAGE SIGN
BUTTERFLY
CATWALK ASSEMBLY AND HANDRAIL**

DRAWING NO.
**SD 9.60
(6 of 7)**

03/22
DATE

Note to Designer: The information presented in this Standard Drawing has been prepared in accordance with recognized engineering practices and standards. It is the responsibility of the user to verify the applicability of the information to his specific project. The user shall not be held liable for any errors or omissions. The user shall not be held liable for any damages, including consequential damages, arising from the use of this drawing. The user shall not be held liable for any damages, including consequential damages, arising from the use of this drawing.

PRIOR DISTRIBUTION DATE