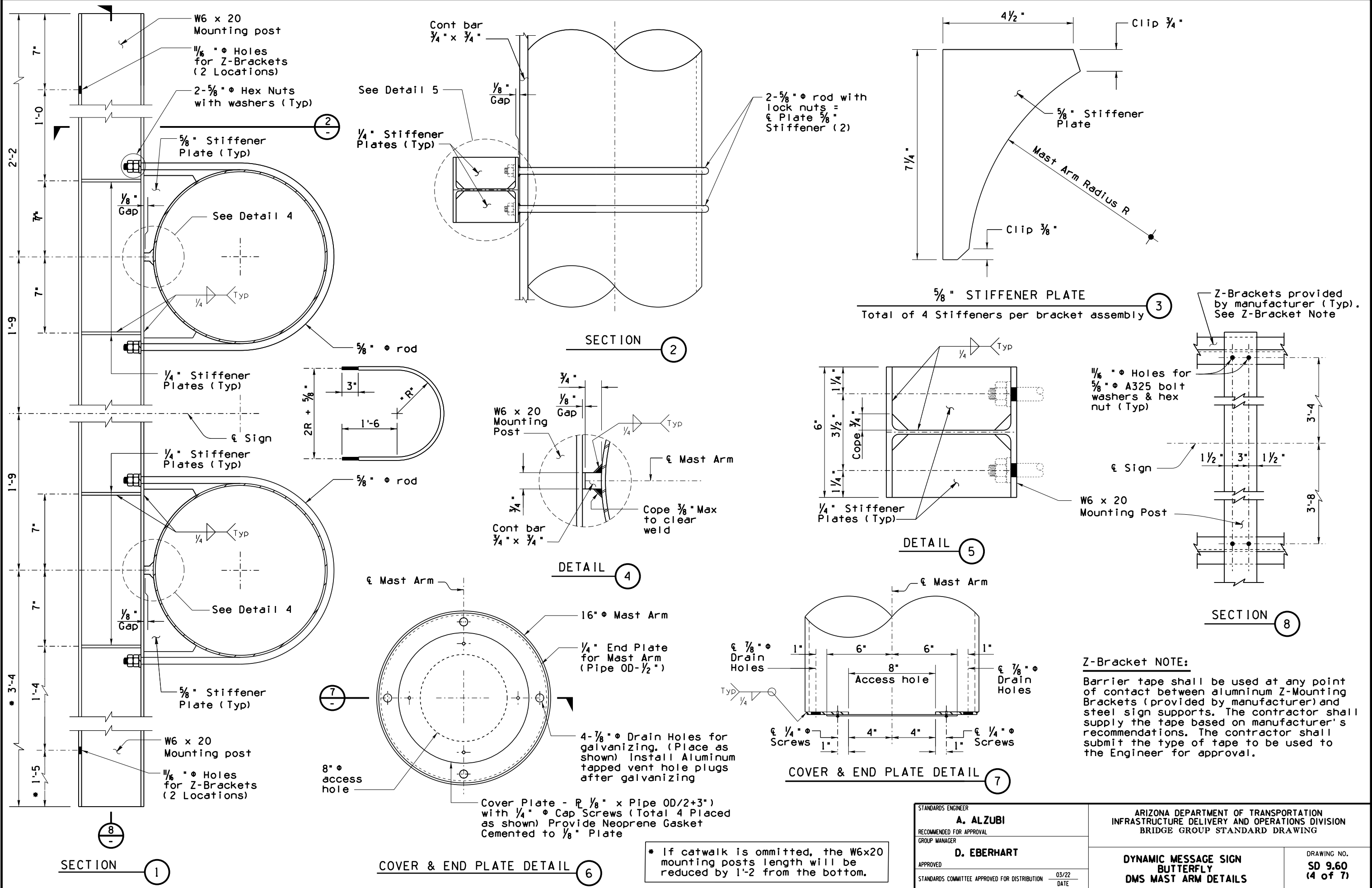


Note to Designer: The information presented in this Standard Drawing has been prepared in accordance with recognized engineering practices and standards. It is intended for general use and does not constitute a contract. The contractor shall be responsible for verifying the accuracy of the information and for obtaining any necessary permits. The contractor shall not be held liable for any errors or omissions.



Z-Bracket NOTE:
 Barrier tape shall be used at any point of contact between aluminum Z-Mounting Brackets (provided by manufacturer) and steel sign supports. The contractor shall supply the tape based on manufacturer's recommendations. The contractor shall submit the type of tape to be used to the Engineer for approval.

* If catwalk is omitted, the W6x20 mounting posts length will be reduced by 1'-2" from the bottom.

STANDARDS ENGINEER A. ALZUBI	ARIZONA DEPARTMENT OF TRANSPORTATION INFRASTRUCTURE DELIVERY AND OPERATIONS DIVISION BRIDGE GROUP STANDARD DRAWING
RECOMMENDED FOR APPROVAL GROUP MANAGER D. EBERHART	
APPROVED	DYNAMIC MESSAGE SIGN BUTTERFLY DMS MAST ARM DETAILS
STANDARDS COMMITTEE APPROVED FOR DISTRIBUTION	DRAWING NO. SD 9.60 (4 of 7)
03/22 DATE	

PRIOR DISTRIBUTION DATE