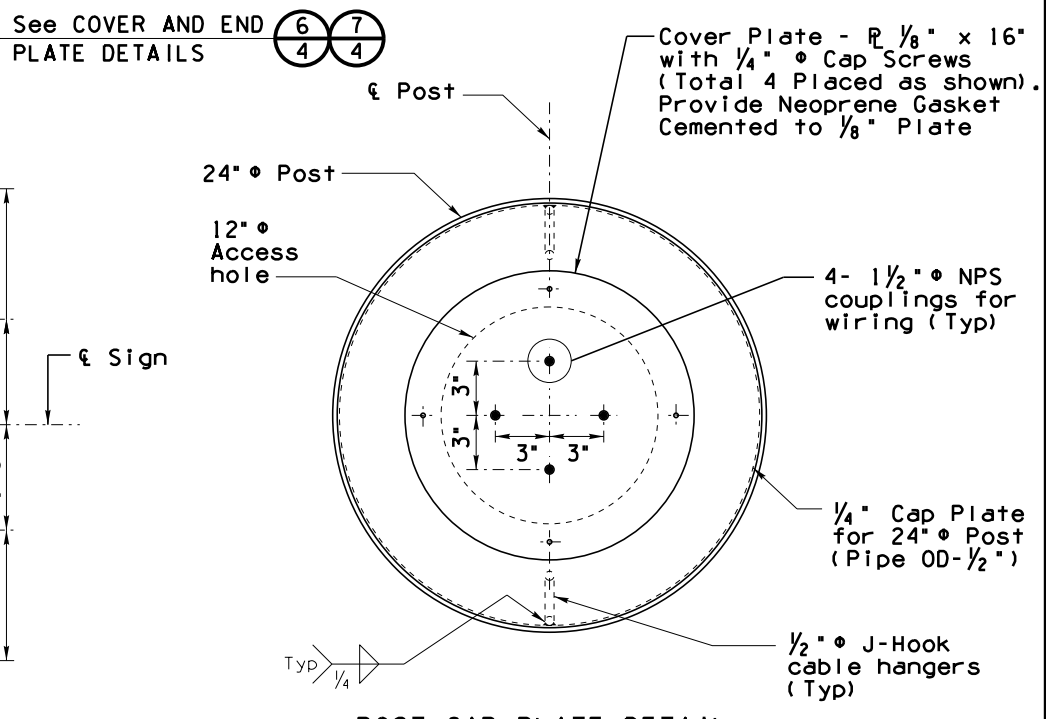
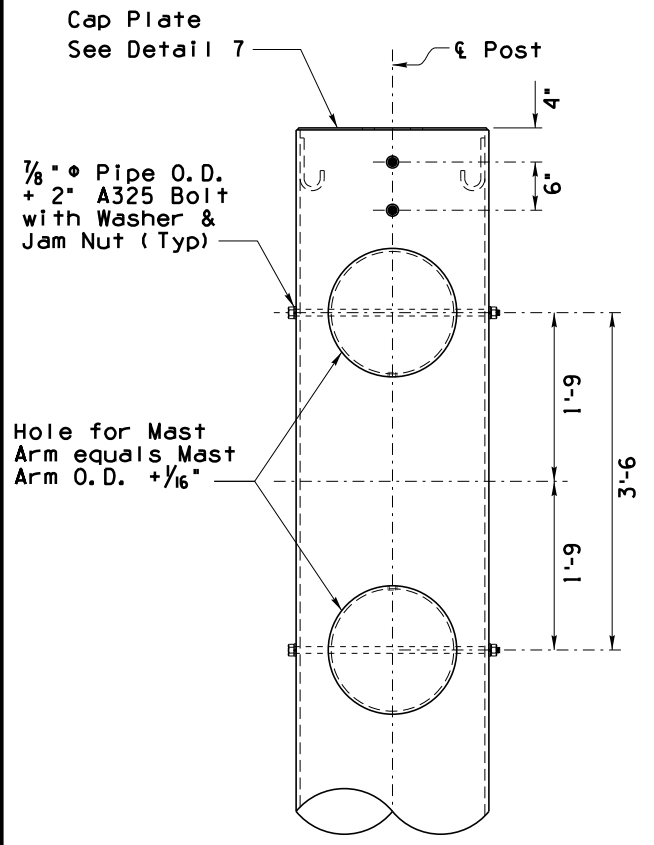


ELEVATION (MONOTUBE ASSEMBLY) 1

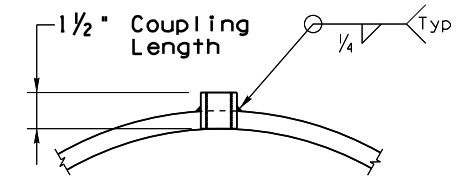


POST CAP PLATE DETAIL 7

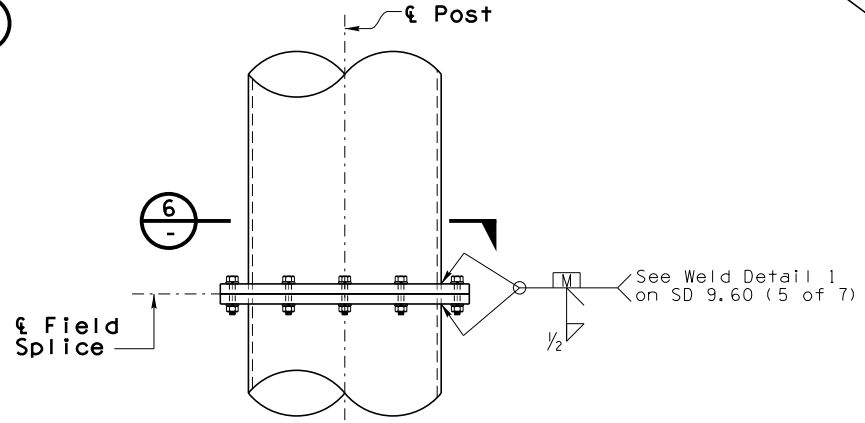
1/2" NPS for wiring with recessed pipe plug. (Total 4 Placed as shown). See NPS COUPLING DETAIL



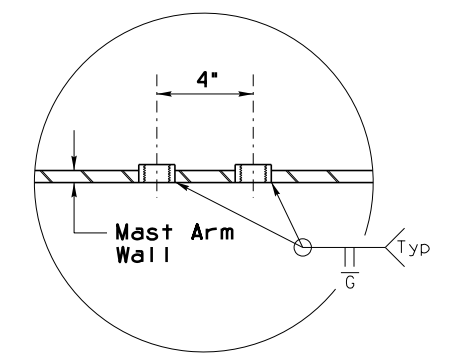
SECTION 2



NPS COUPLING DETAIL 3

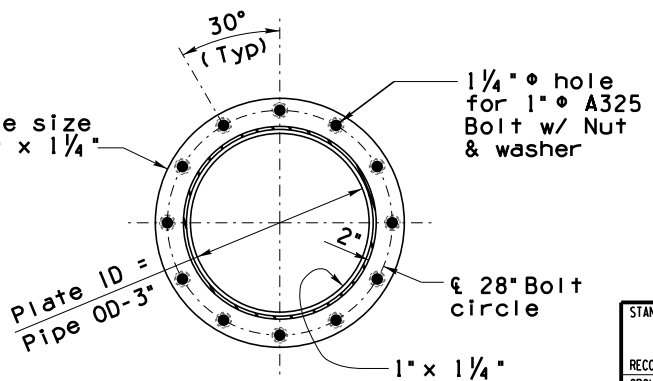


OPTIONAL FIELD SPLICE 5

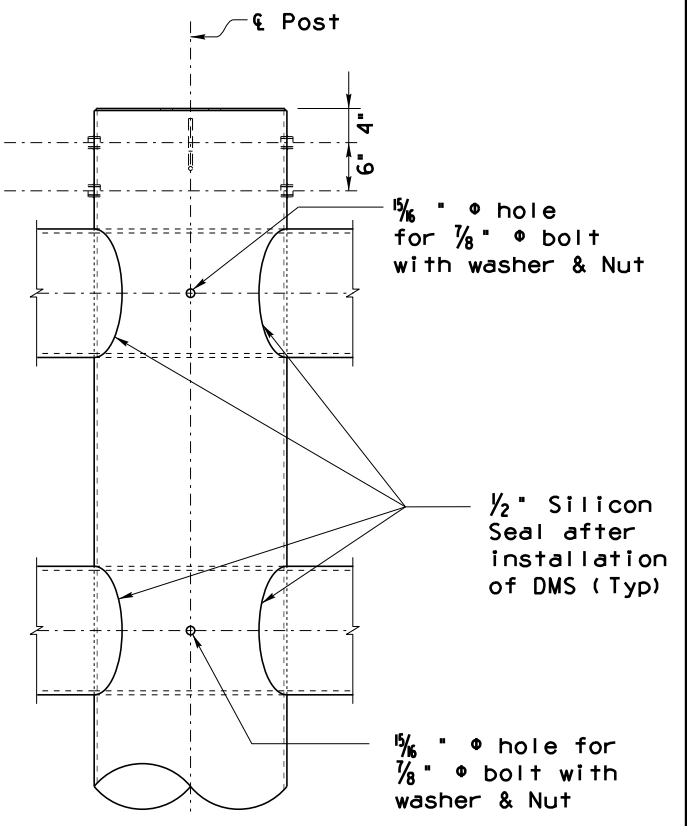


OPTIONAL MAST ARM NPS DETAIL 4

NOTE: Flush mount 2-1/2" NPS for wiring between both sign Mast Arms as shown (Optional).



SECTION 6



MAST ARM TO POST CONNECTION 8

STANDARDS ENGINEER  
**A. ALZUBI**  
RECOMMENDED FOR APPROVAL  
GROUP MANAGER  
**D. EBERHART**  
APPROVED  
STANDARDS COMMITTEE APPROVED FOR DISTRIBUTION

ARIZONA DEPARTMENT OF TRANSPORTATION  
INFRASTRUCTURE DELIVERY AND OPERATIONS DIVISION  
BRIDGE GROUP STANDARD DRAWING

DYNAMIC MESSAGE SIGN  
BUTTERFLY  
DMS MONOTUBE ASSEMBLY

DRAWING NO.  
SD 9.60  
(3 of 7)

03/22  
DATE

Note to Designer: Presented in this Standard Drawing has been prepared in accordance with recognized engineering principles and is, for general use. It should not be used for specific application without competent professional examination and verification of its suitability and applicability by a licensed professional engineer. Contents within the inner border line shall not be altered.

PRIOR DISTRIBUTION DATE