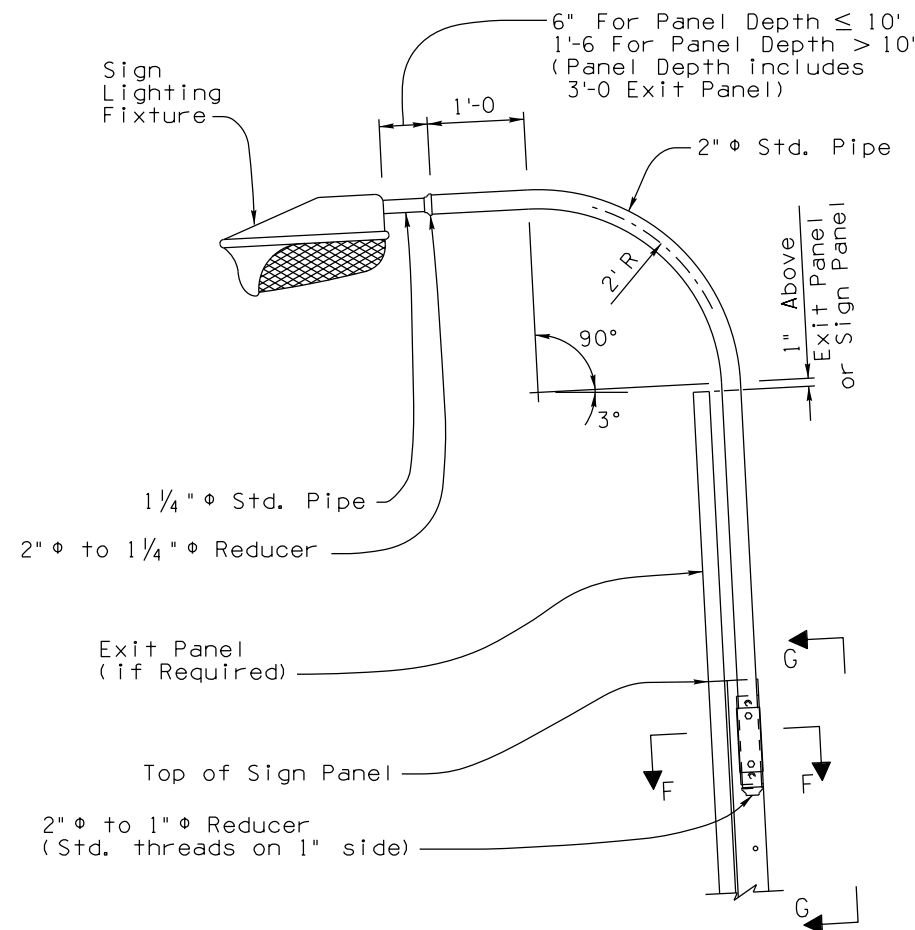
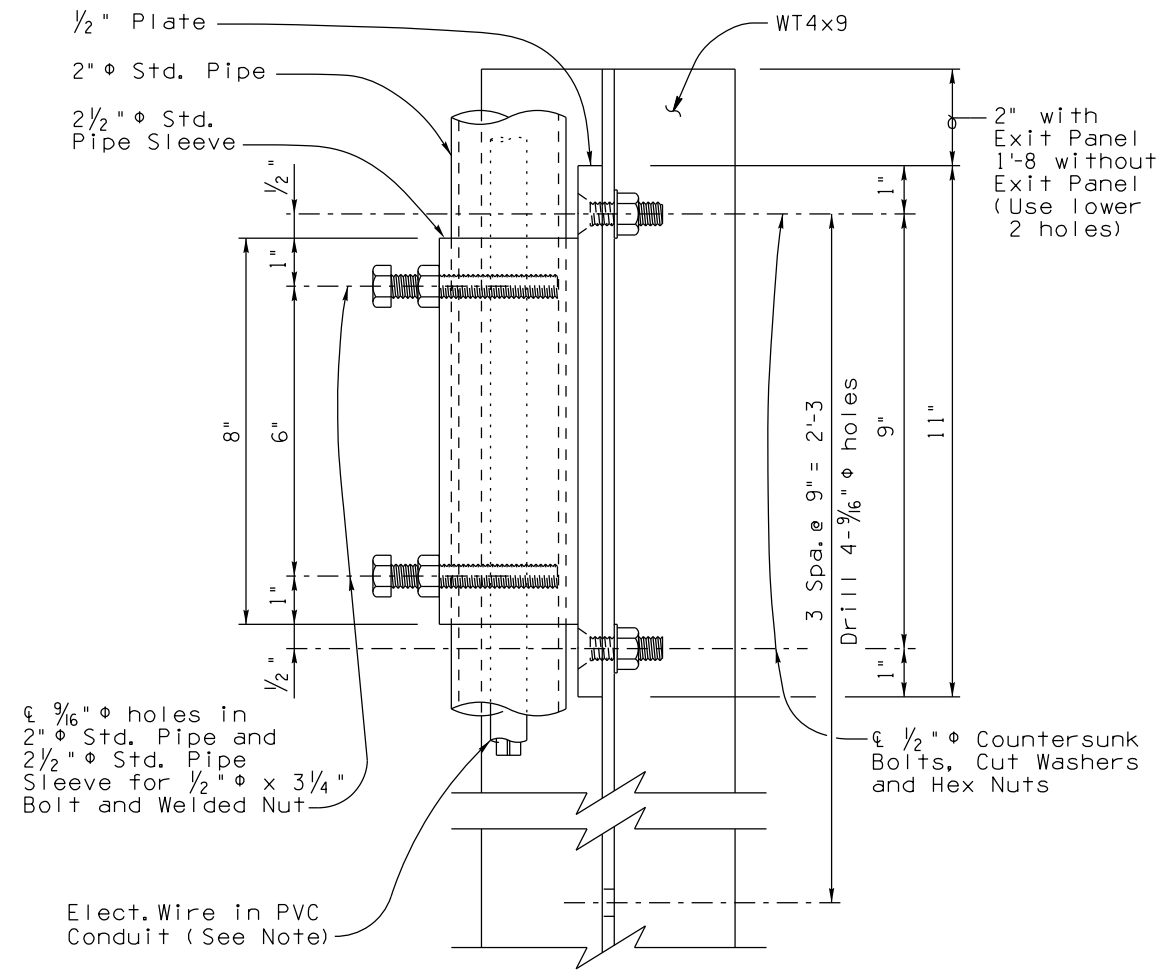


Note to Designer:  
 The information presented in this Standard Drawing has been prepared in accordance with recognized engineering principles and is for general use. It should not be used for specific application without competent professional examination and verification of its suitability and applicability by a licensed professional engineer. Contents within the inner border line shall not be altered.

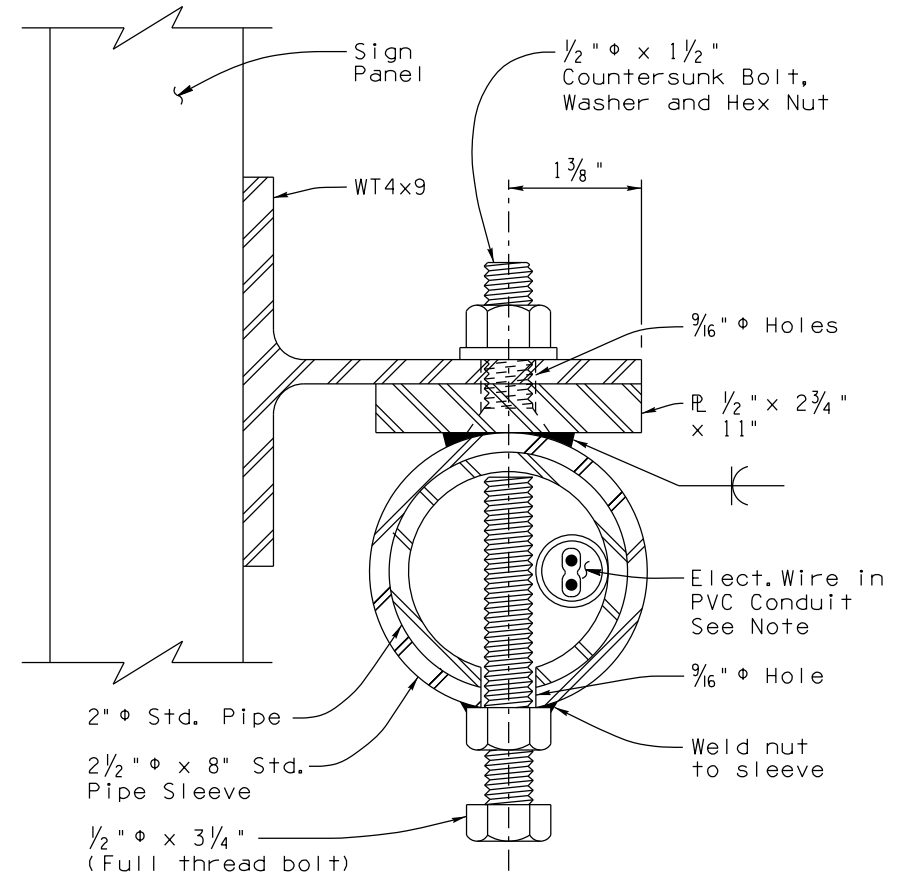


SIDE VIEW

OVERHEAD LIGHT SUPPORT MOUNTING DETAIL

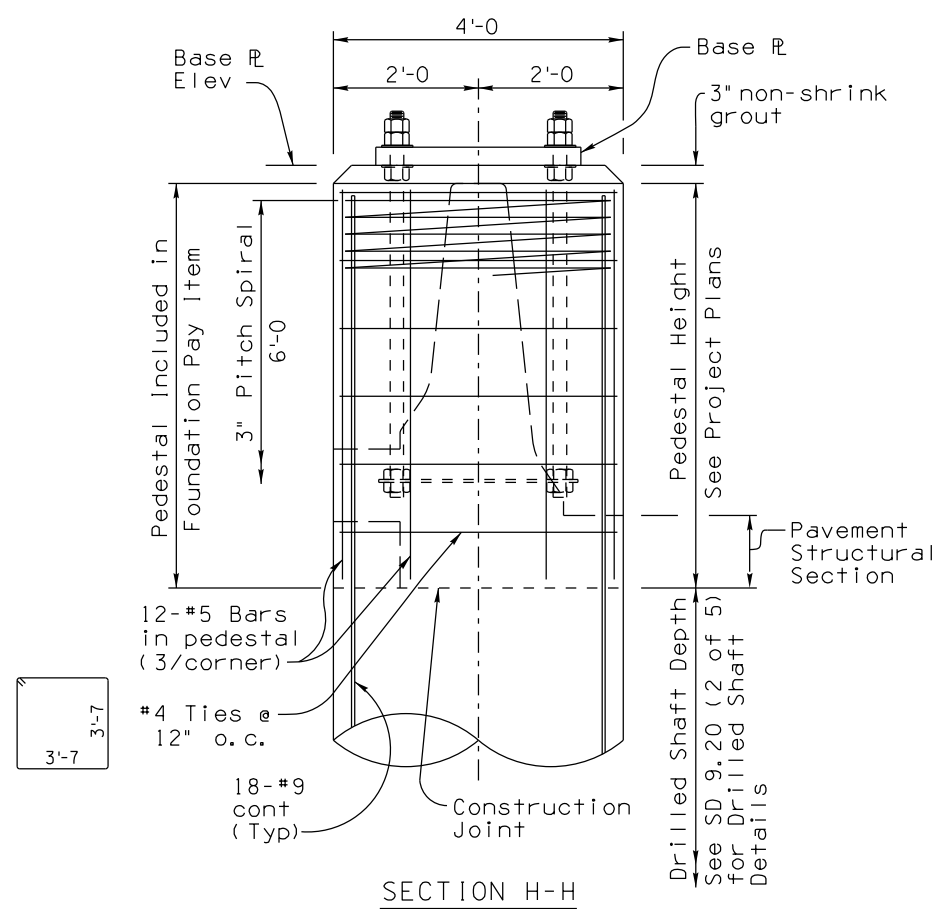


ELEVATION G-G

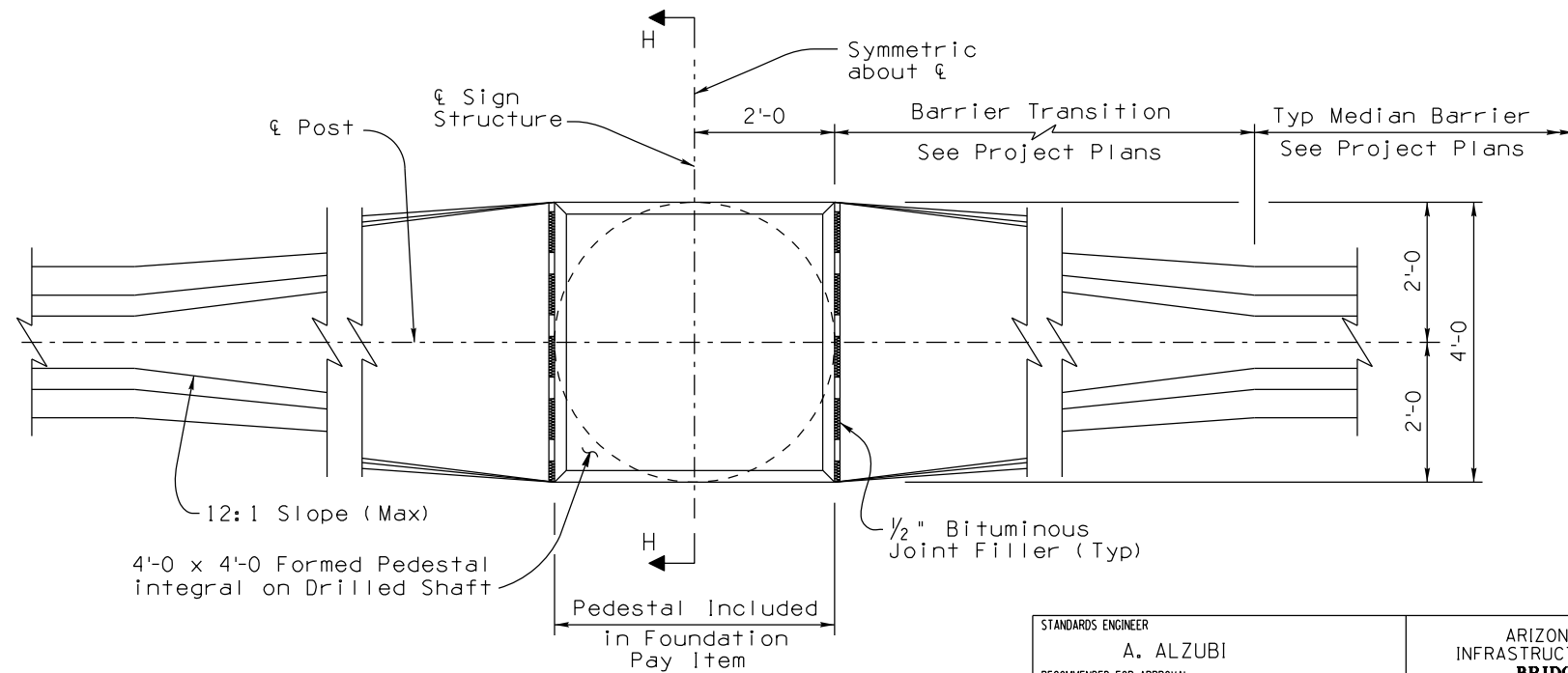


SECTION F-F

**Note:**  
 Electrical wire shall be placed in PVC conduit and secured away from bolt tip (See traffic plans for more details).



SECTION H-H



PLAN

TUBULAR POST ON BARRIER PEDESTAL

STANDARDS ENGINEER	A. ALZUBI
RECOMMENDED FOR APPROVAL	
GROUP MANAGER	
APPROVED	D. BENTON
STANDARDS COMMITTEE APPROVED FOR DISTRIBUTION	09/23 DATE

ARIZONA DEPARTMENT OF TRANSPORTATION INFRASTRUCTURE DELIVERY AND OPERATIONS DIVISION <b>BRIDGE GROUP STANDARD DRAWING</b>	
TUBULAR SIGN STRUCTURES TUBULAR FRAME LIGHT SUPPORT DETAILS	DRAWING NO. SD 9.20 (5 of 5)

04/19  
 PRIOR DISTRIBUTION DATE  
 3'-7  
 3'-7