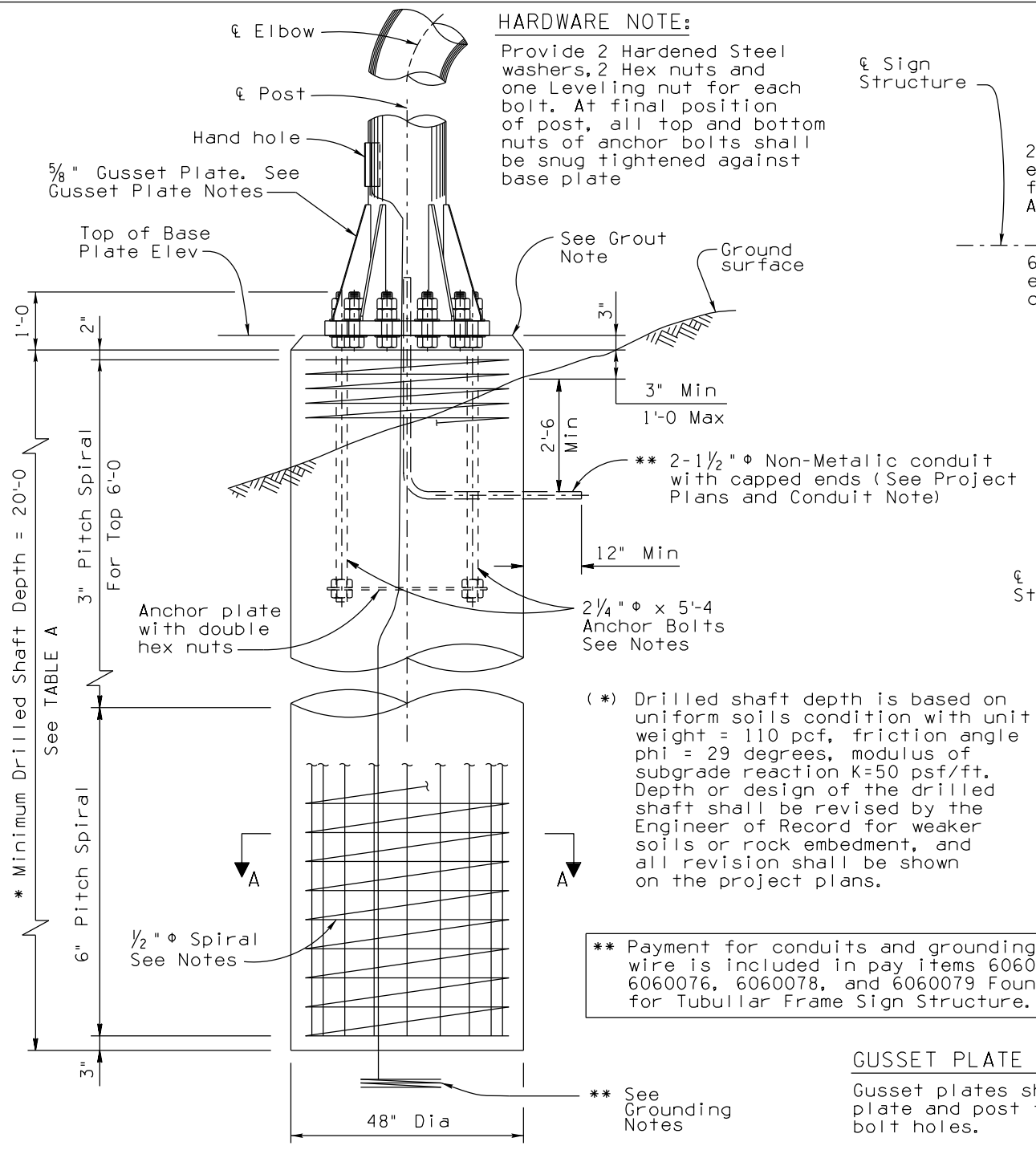
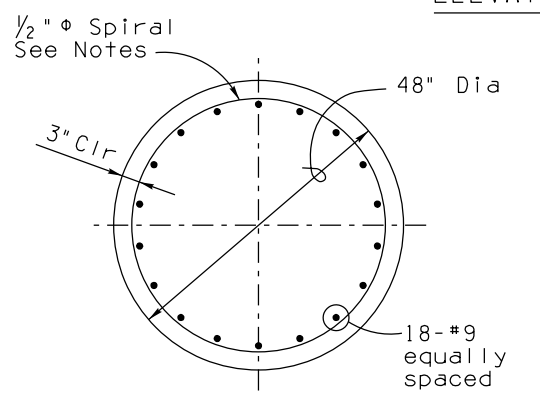


Note to Designer: The information presented in this Standard Drawing has been prepared in accordance with recognized engineering principles and is for general use. It should not be used for specific application without competent professional examination and verification of its suitability and applicability by a licensed professional engineer. Contents within the inner border line shall not be altered.

PRIOR DISTRIBUTION DATE 03/22



ELEVATION

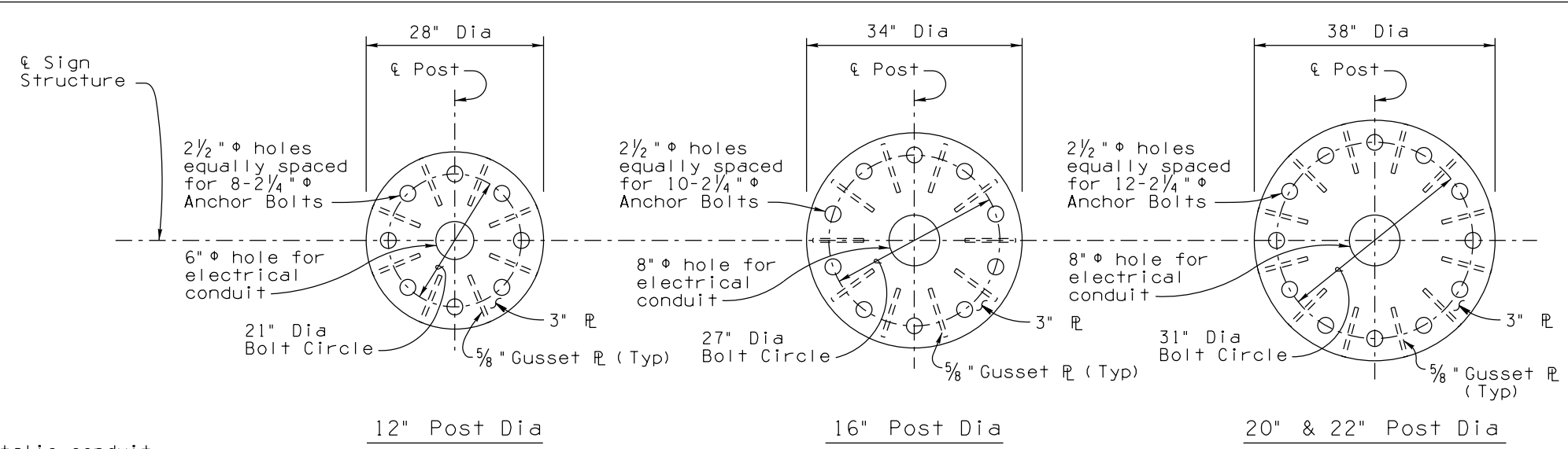


SECTION A-A

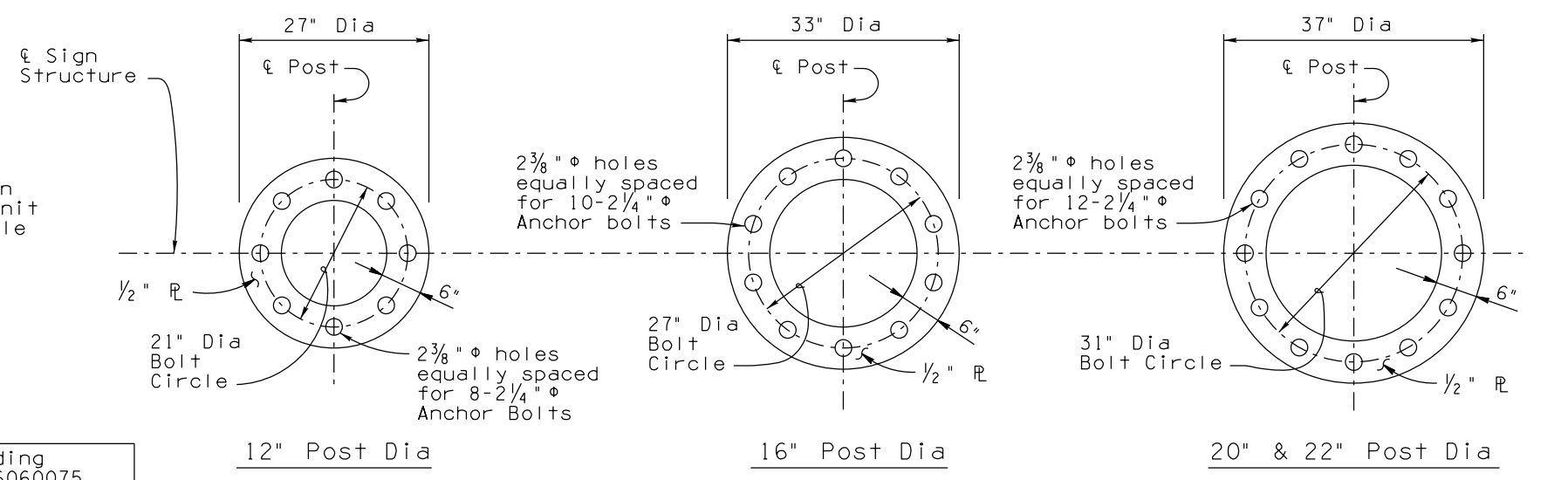
DRILLED SHAFT DETAILS

TABLE A	
Max Slope 'X'	
8:1	0'
6:1	1'
4:1	2'
2:1	4'
1 1/2:1	5'
1:1	8'

Drilled Shaft Depth shall be adjusted for ground slope. Add value of 'X' in TABLE A to the minimum Drilled Shaft Depth to obtain the total length of shaft



BASE PLATE DETAILS



ANCHOR PLATE DETAILS

GUSSET PLATE NOTES:

Gusset plates shall be placed perpendicular to base plate and post face, and centered between anchor bolt holes.

Gusset Plate Details are shown on SD 9.20 (3 of 5).

CONDUIT NOTE:

If the project plans do not callout for the installation of a conduit, 2-1/2" diameter non-metallic conduits shall be stubbed out 30" below grade. The stubbed conduits shall be perpendicular to traffic direction to the non-traffic side, be a minimum of 12" from edge of foundation cap, and the conduit ends shall be capped.

GROUNDING NOTES:

A 25 feet long coil of No. 4 AWG bare copper grounding wire shall be installed before concrete is poured and shall be connected to the post grounding screw in the hand hole.

The grounding wire shall be installed on the outside of the conduit.

GROUT NOTE:

Space to be filled with non-shrink grout after tubular structure is permanently erected.

NOTES:

All anchor bolts shall conform to ASTM F1554 Grade 55 Specifications. The upper 1'-2 and lower 6" shall be threaded. The upper 1'-8 shall be galvanized in accordance with the requirements of ASTM A153.

Provide bolt template during installation of anchor bolts. The bolt template shall be fabricated of 1/4" thick (Min) steel plate, similar to anchor plate details, and both the bolt template and the anchor plate shall be drilled to match the base plate.

Drilled shaft concrete shall be class 'S' and shall be placed within undisturbed material or compacted embankment. Top of drilled shaft shall be formed to 1'-0 below ground surface.

Compacted finished grade backfill or embankment shall be in place prior to erecting the post.

1/2" ϕ Spiral shall be cold drawn steel wire conforming to AASHTO M336, except Min Tensile Strength is 60,000 psi. Lap 1 1/2 turns at top and bottom of spiral.

STANDARDS ENGINEER A. ALZUBI	ARIZONA DEPARTMENT OF TRANSPORTATION INFRASTRUCTURE DELIVERY AND OPERATIONS DIVISION BRIDGE GROUP STANDARD DRAWING
RECOMMENDED FOR APPROVAL GROUP MANAGER D. BENTON	
APPROVED	TUBULAR SIGN STRUCTURES TUBULAR FRAME FOUNDATION DETAILS
STANDARDS COMMITTEE APPROVED FOR DISTRIBUTION	DRAWING NO. SD 9.20 (2 of 5)
	09/23 DATE