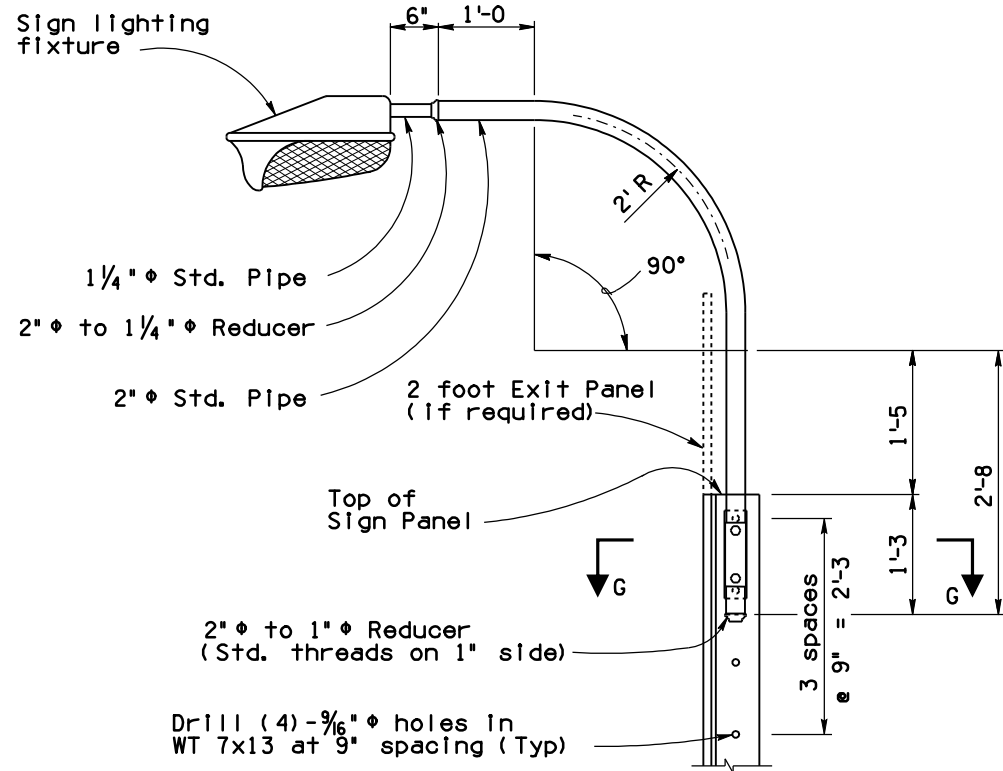
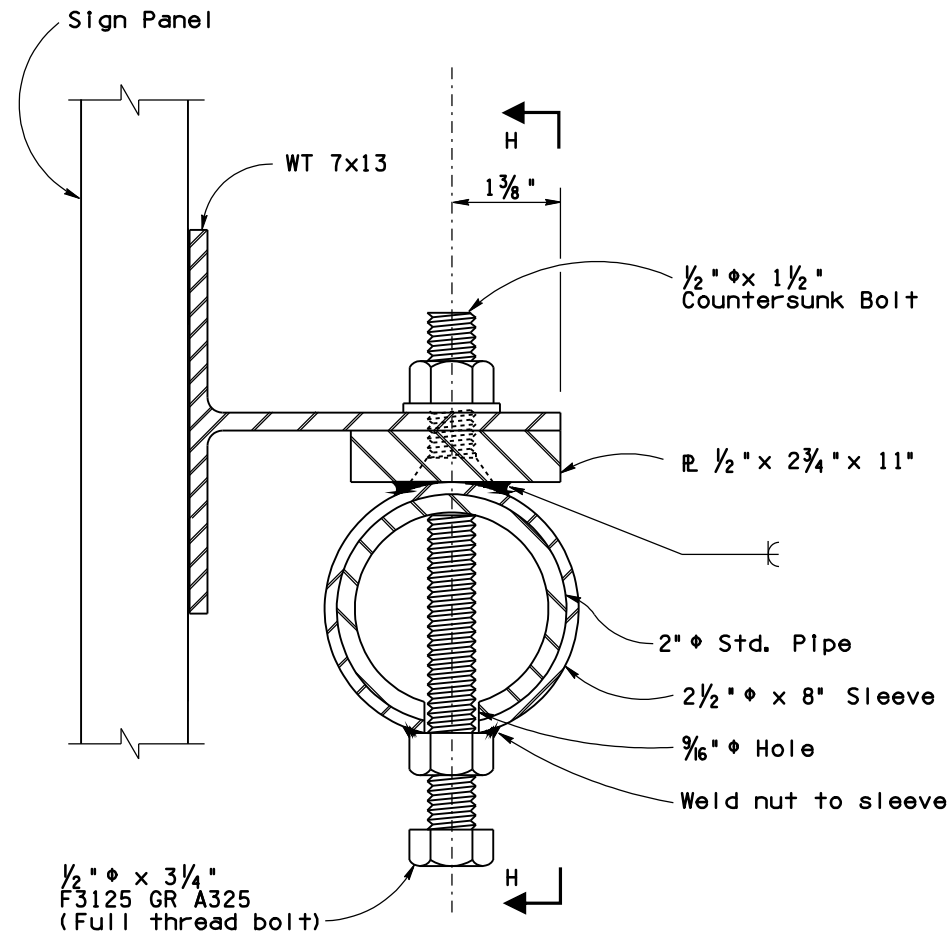


Note to Designer: The information presented in this Standard Drawing has been prepared in accordance with recognized engineering principles and is for general use. It should not be used for specific application without competent professional examination and verification of its suitability and applicability by a licensed professional engineer. Contents within the inner border line shall not be altered.



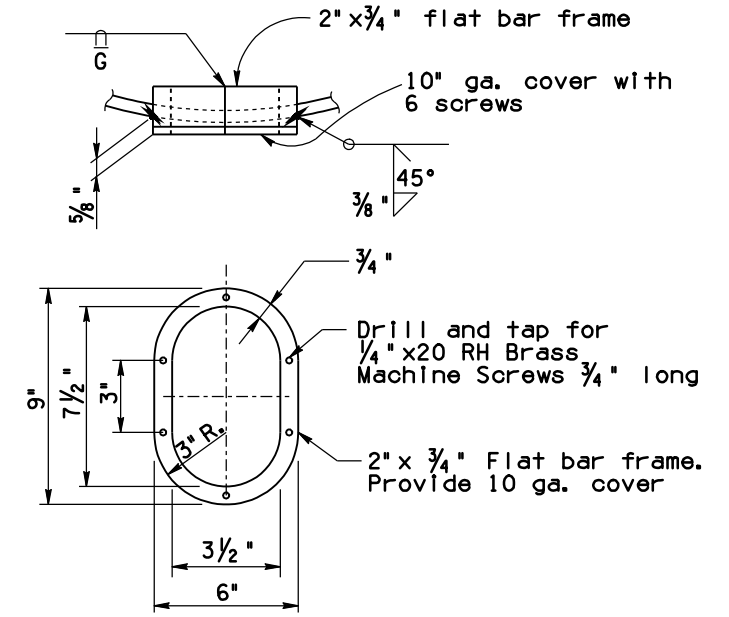
OVERHEAD LIGHT SUPPORT DETAIL



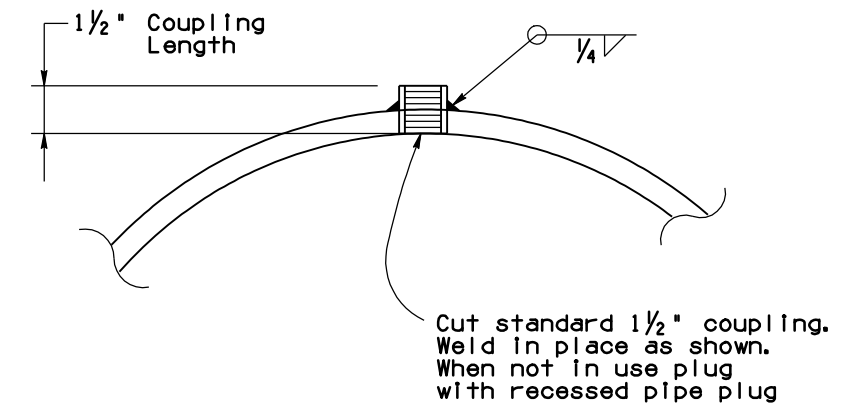
SECTION G-G



ELEVATION H-H



HAND HOLE & COVER DETAILS



COUPLING DETAIL

5/16" hole in
 2" Std. Pipe and
 2 1/2" Std. Pipe
 Sleeve for 1/2" F3125 GR A325 Bolt

5/16" Hole for 1/2" Countersunk Bolt, Cut Washer, and Hex Nut

STANDARDS ENGINEER A. ALZUBI RECOMMENDED FOR APPROVAL GROUP MANAGER D. EBERHART APPROVED STANDARDS COMMITTEE APPROVED FOR DISTRIBUTION	ARIZONA DEPARTMENT OF TRANSPORTATION INFRASTRUCTURE DELIVERY AND OPERATIONS DIVISION BRIDGE GROUP STANDARD DRAWING	DRAWING NO. SD 9.01 (5 of 5)
DATE: 04/19	MEDIAN SIGN STRUCTURE (TWO SIDED) LIGHT SUPPORT DETAILS	

PRIOR DISTRIBUTION DATE 04/00