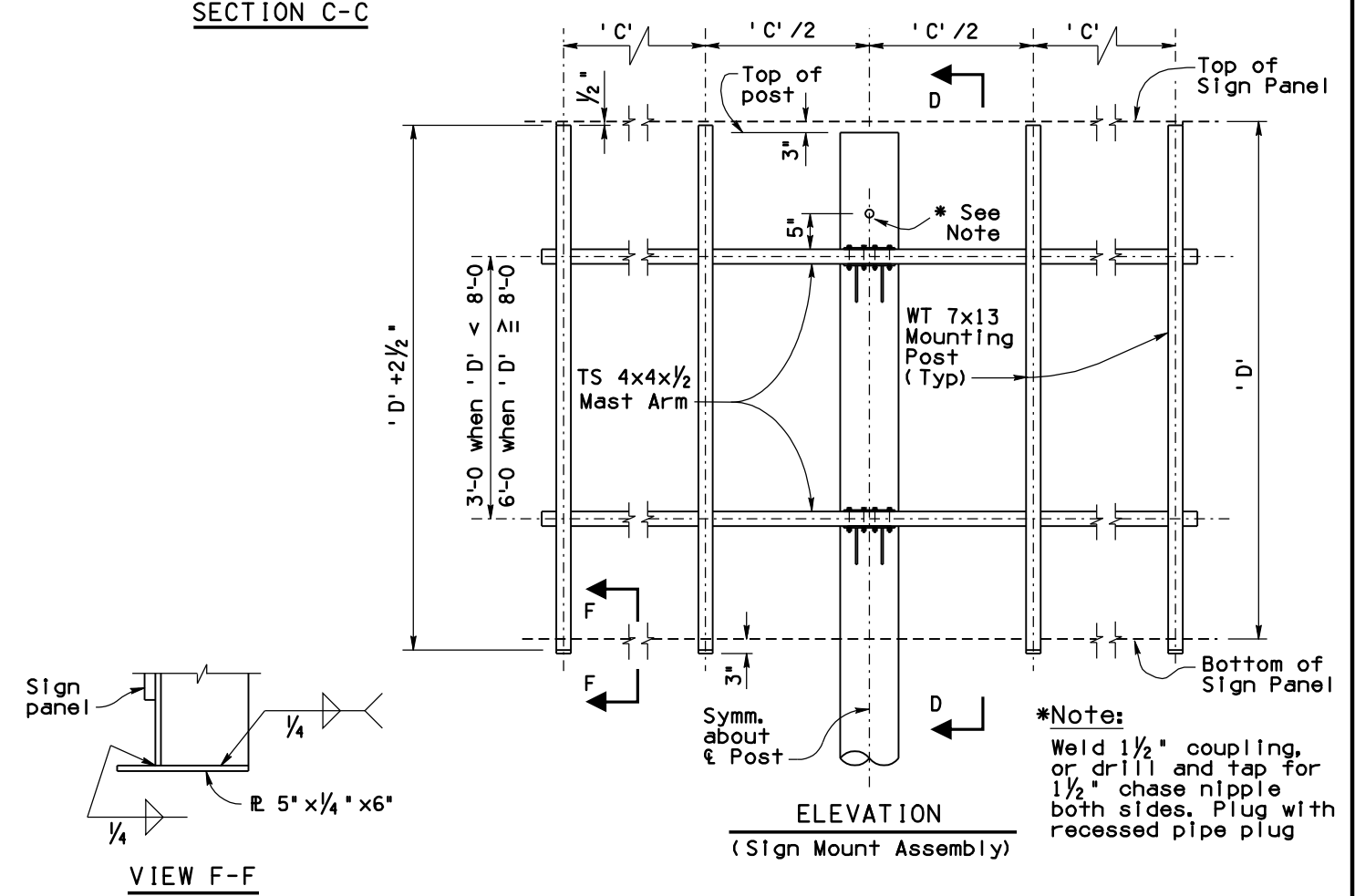
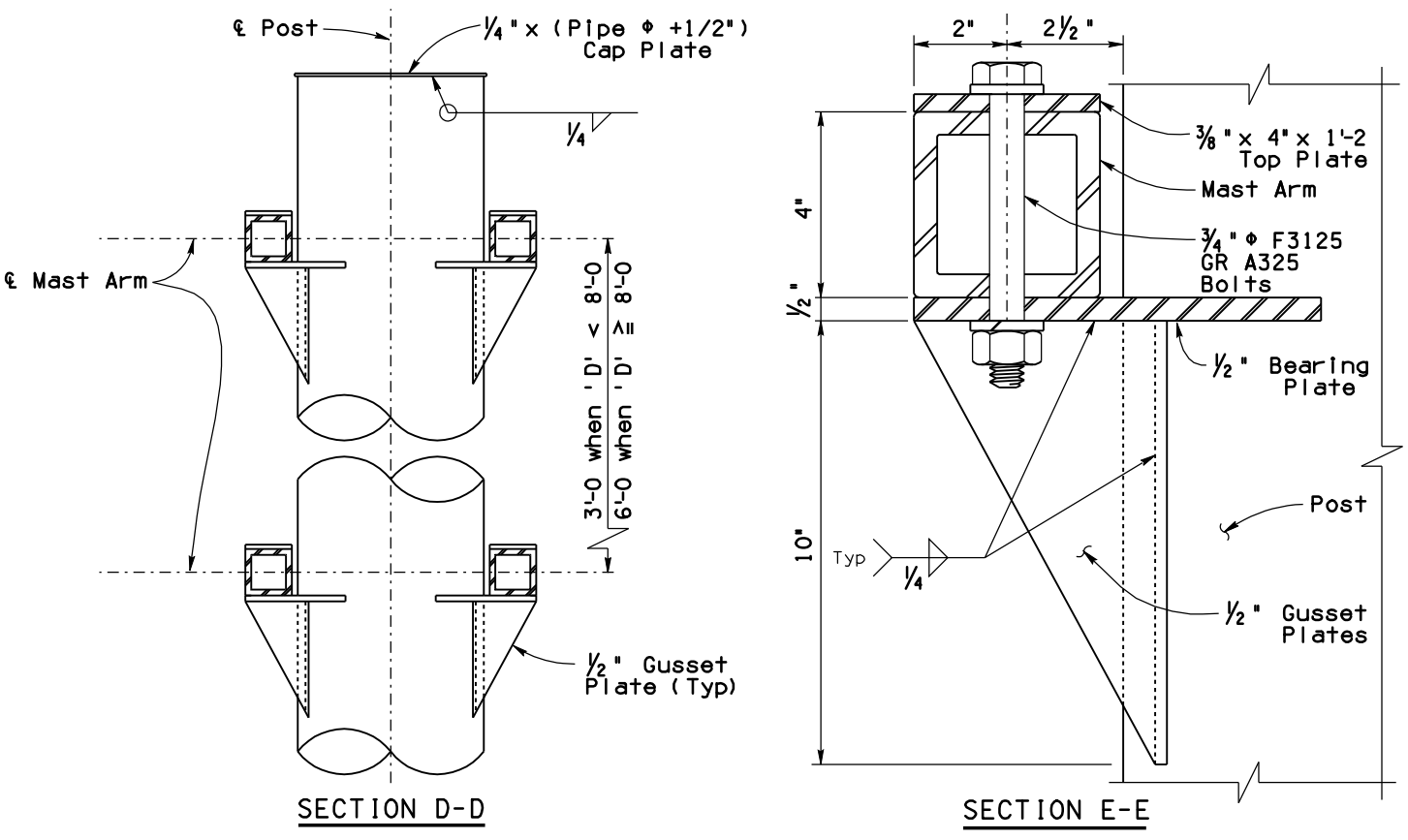
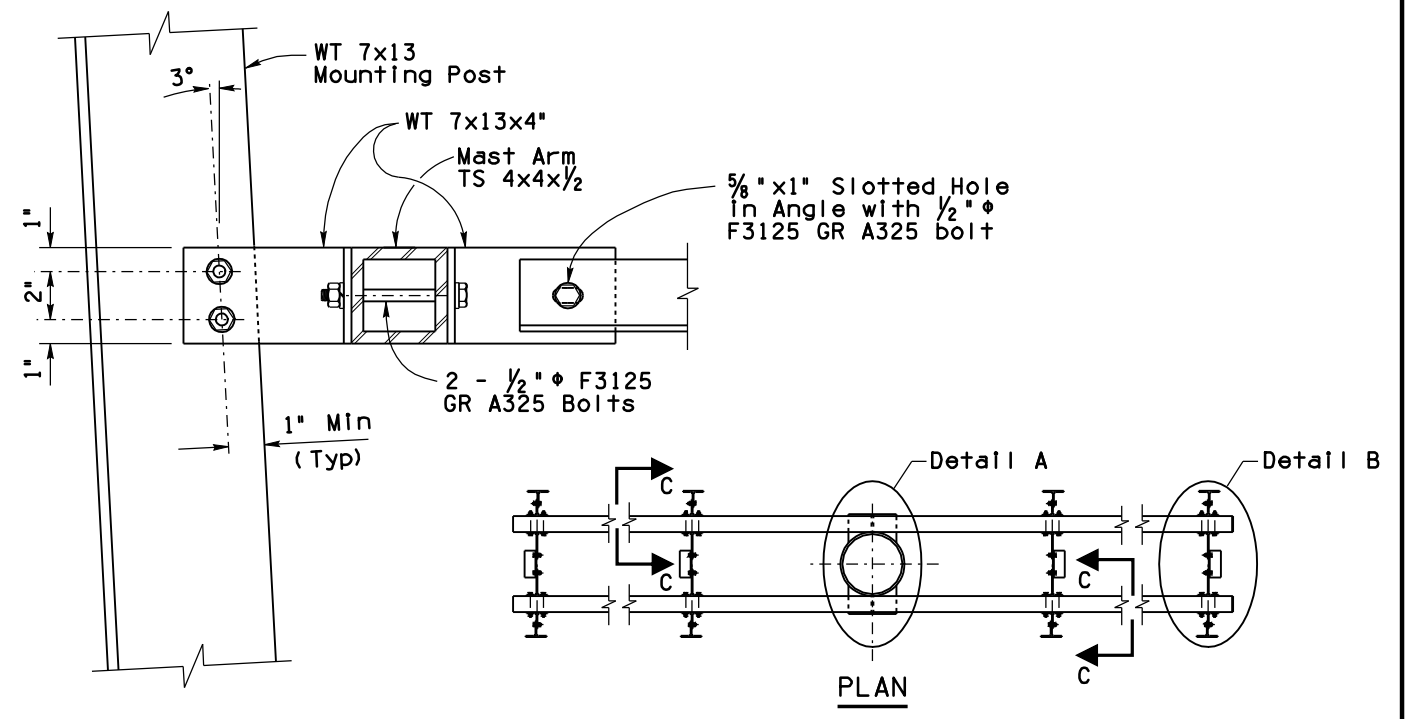
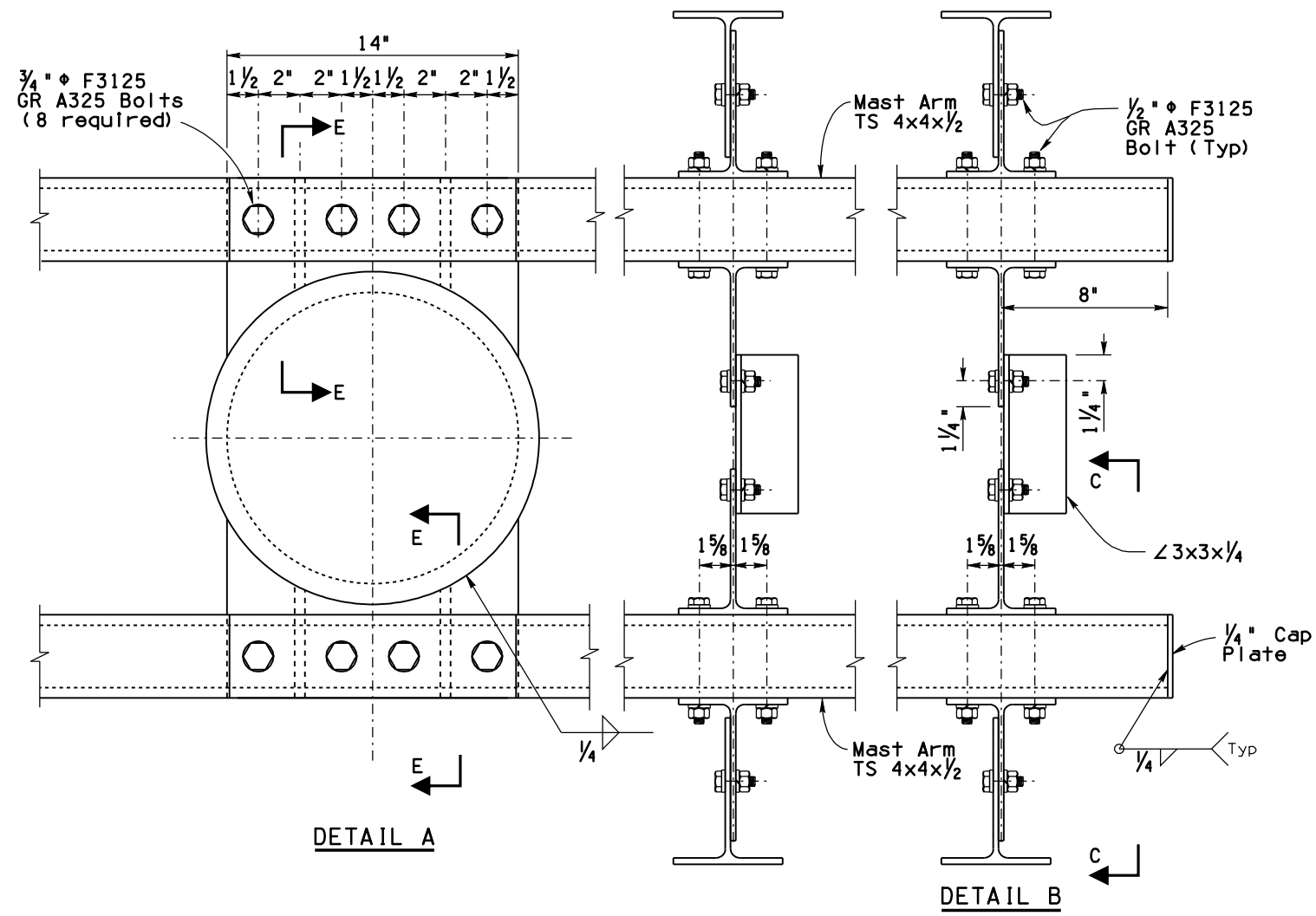


Note to Designer: This Standard Drawing has been prepared in accordance with recognized engineering principles and is for general use. It should not be used for specific application without competent professional examination and verification of its suitability and applicability by a licensed professional engineer. Contents within the inner border line shall not be altered.

PRIOR DISTRIBUTION DATE 04/00



TYPE B FRAME

STANDARDS ENGINEER A. ALZUBI RECOMMENDED FOR APPROVAL GROUP MANAGER APPROVED STANDARDS COMMITTEE APPROVED FOR DISTRIBUTION	ARIZONA DEPARTMENT OF TRANSPORTATION INFRASTRUCTURE DELIVERY AND OPERATIONS DIVISION BRIDGE GROUP STANDARD DRAWING MEDIAN SIGN STRUCTURE (TWO SIDED) TYPE B SIGN MOUNT ASSEMBLY	DRAWING NO. SD 9.01 (4 of 5)
DATE 04/19		