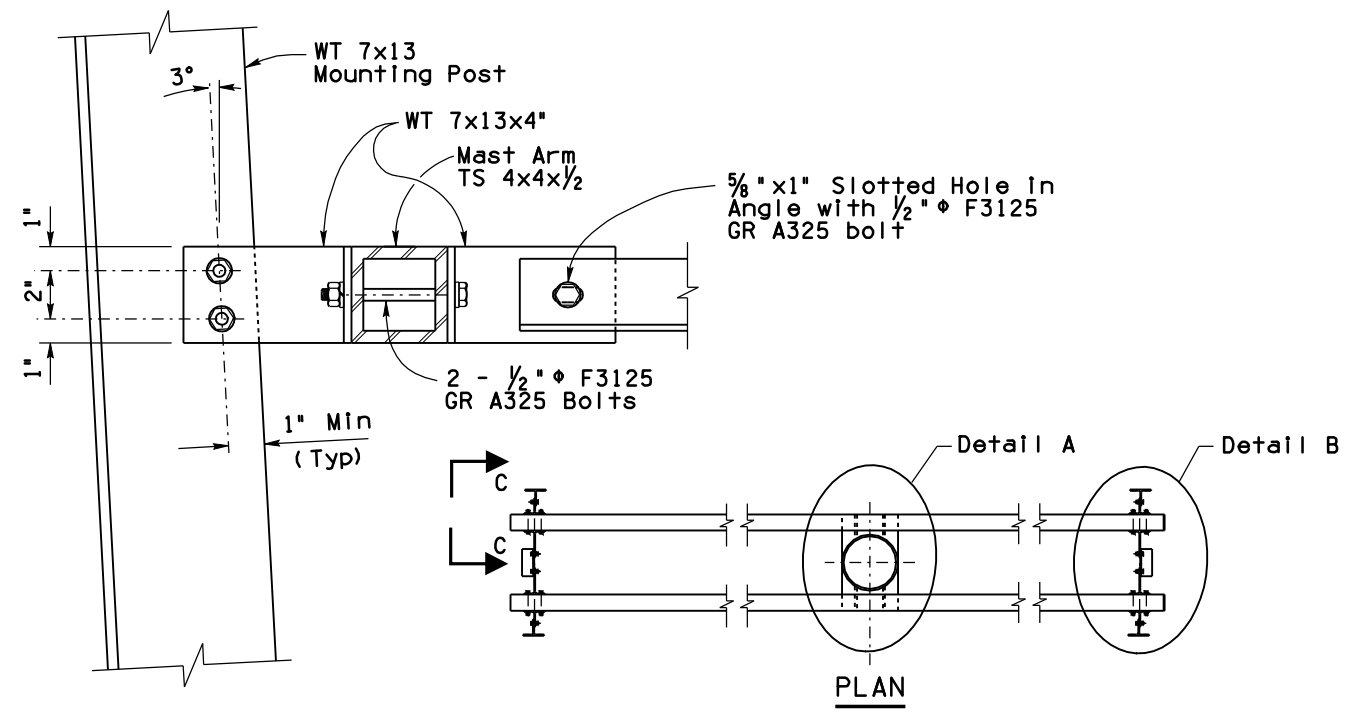
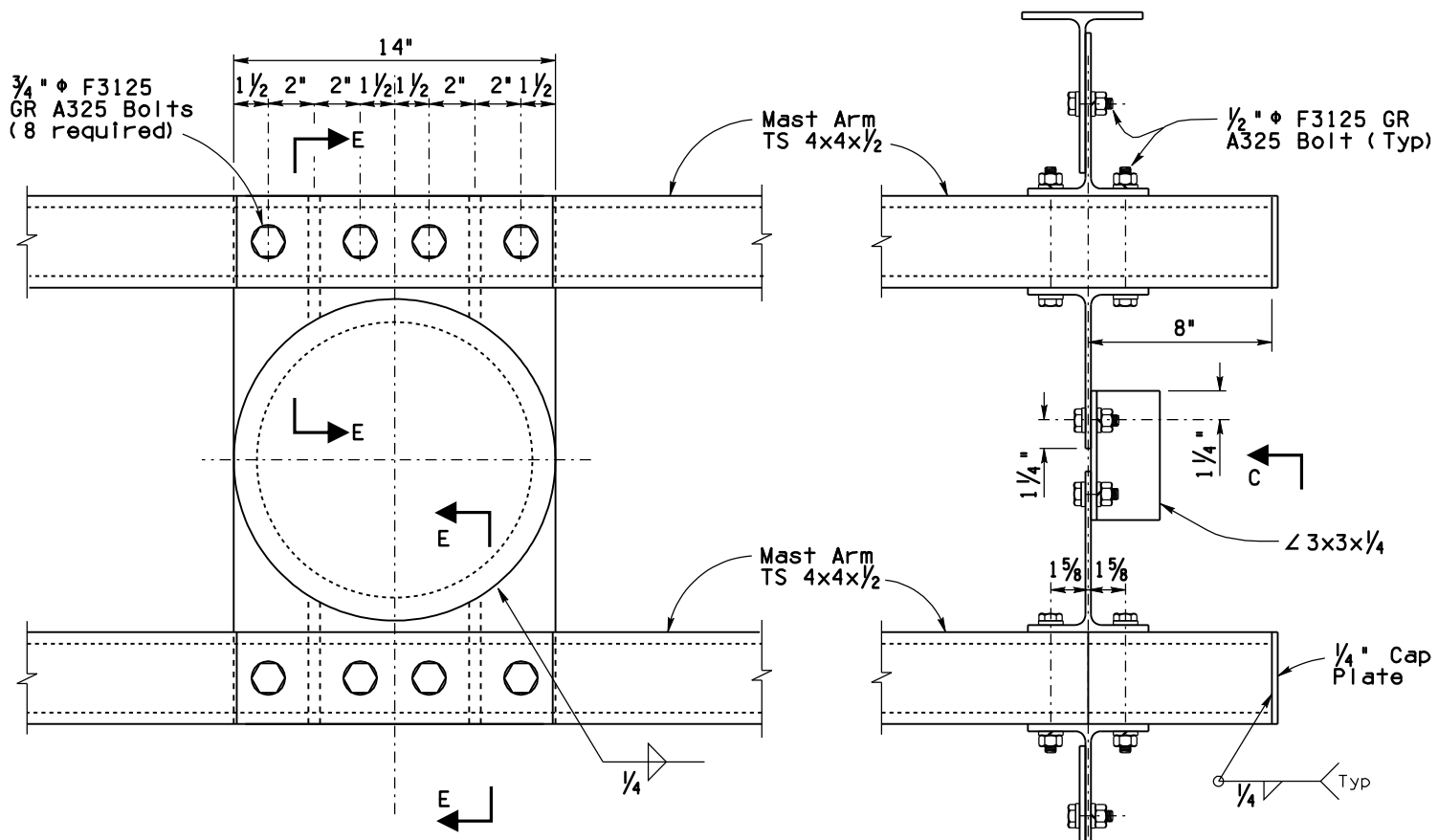


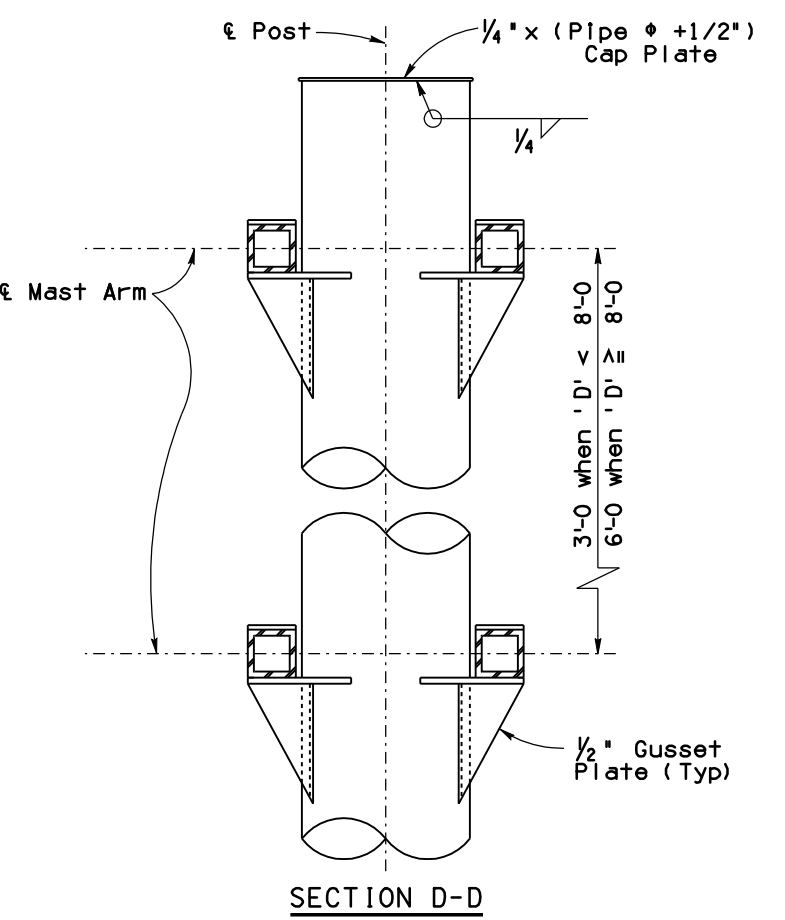
Note to Designer: This Standard Drawing has been prepared in accordance with recognized engineering principles and is for general use. It should not be used for specific application without competent professional examination and verification of its suitability and applicability by a licensed professional engineer. Contents within the inner border line shall not be altered.

PRIOR DISTRIBUTION DATE 04/00

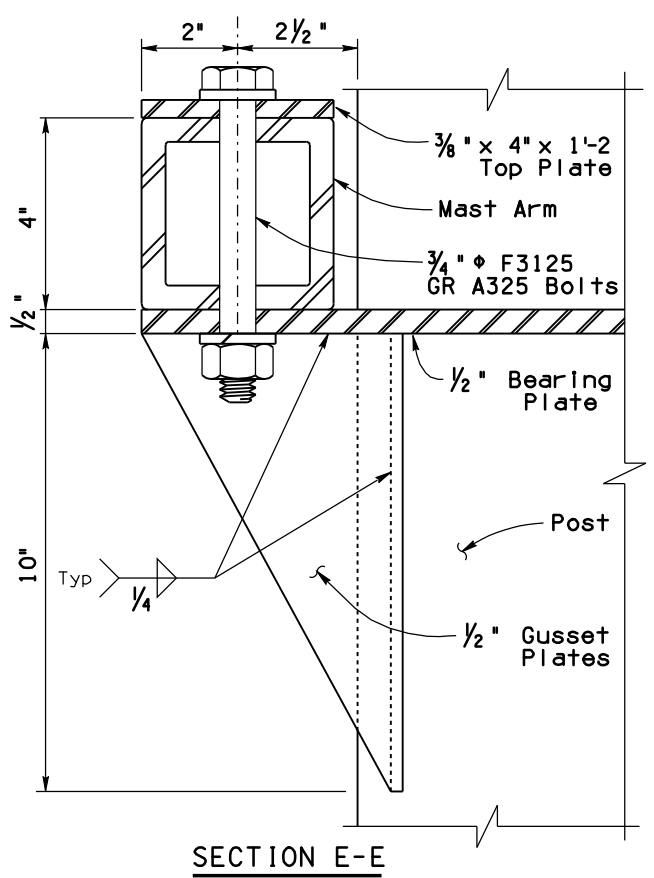


DETAIL A

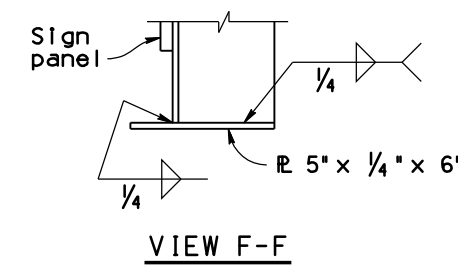
DETAIL B



SECTION D-D

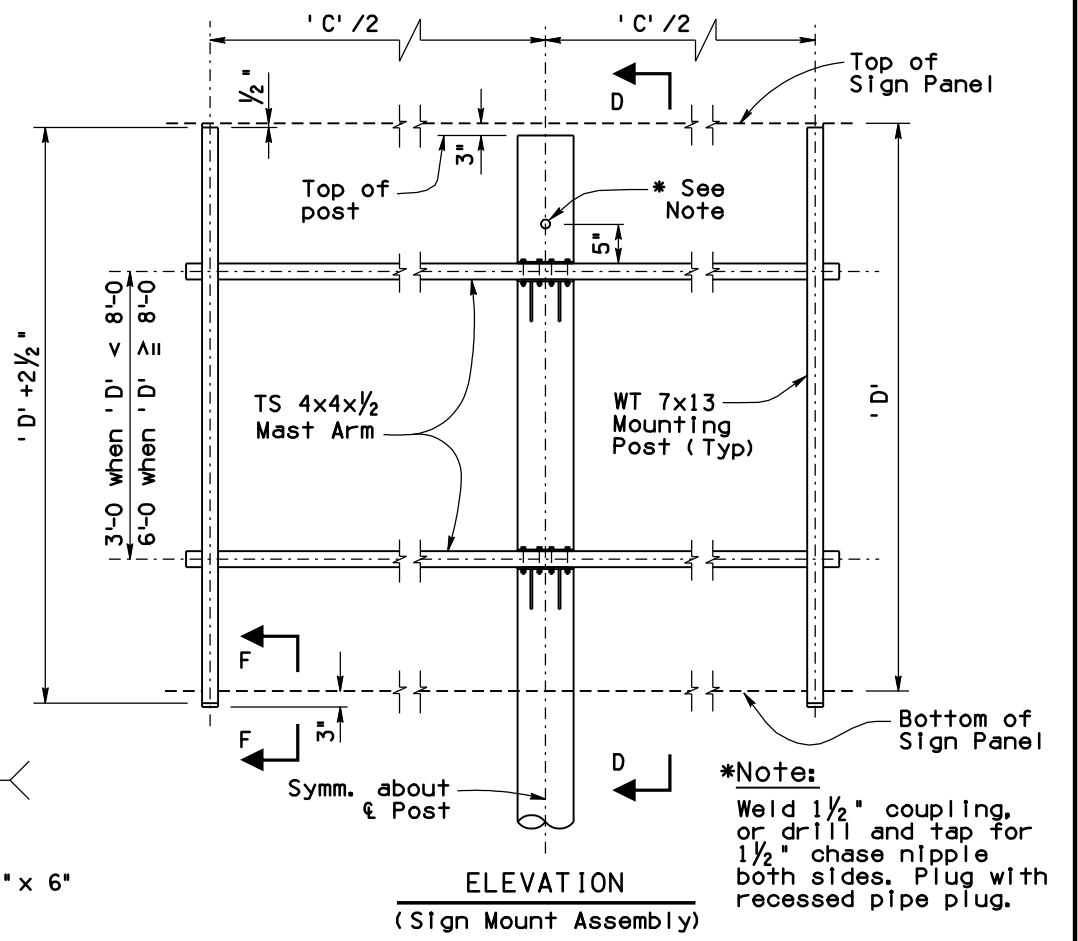


SECTION E-E



VIEW F-F

TYPE A FRAME



ELEVATION
(Sign Mount Assembly)

***Note:**
 Weld $\frac{1}{2}$ " coupling, or drill and tap for $\frac{1}{2}$ " chase nipple both sides. Plug with recessed pipe plug.

STANDARDS ENGINEER	A. ALZUBI
RECOMMENDED FOR APPROVAL	D. EBERHART
GROUP MANAGER	
APPROVED	
STANDARDS COMMITTEE APPROVED FOR DISTRIBUTION	04/19 DATE

ARIZONA DEPARTMENT OF TRANSPORTATION INFRASTRUCTURE DELIVERY AND OPERATIONS DIVISION BRIDGE GROUP STANDARD DRAWING	
MEDIAN SIGN STRUCTURE (TWO SIDED) TYPE A SIGN MOUNT ASSEMBLY	DRAWING NO. SD 9.01 (3 of 5)