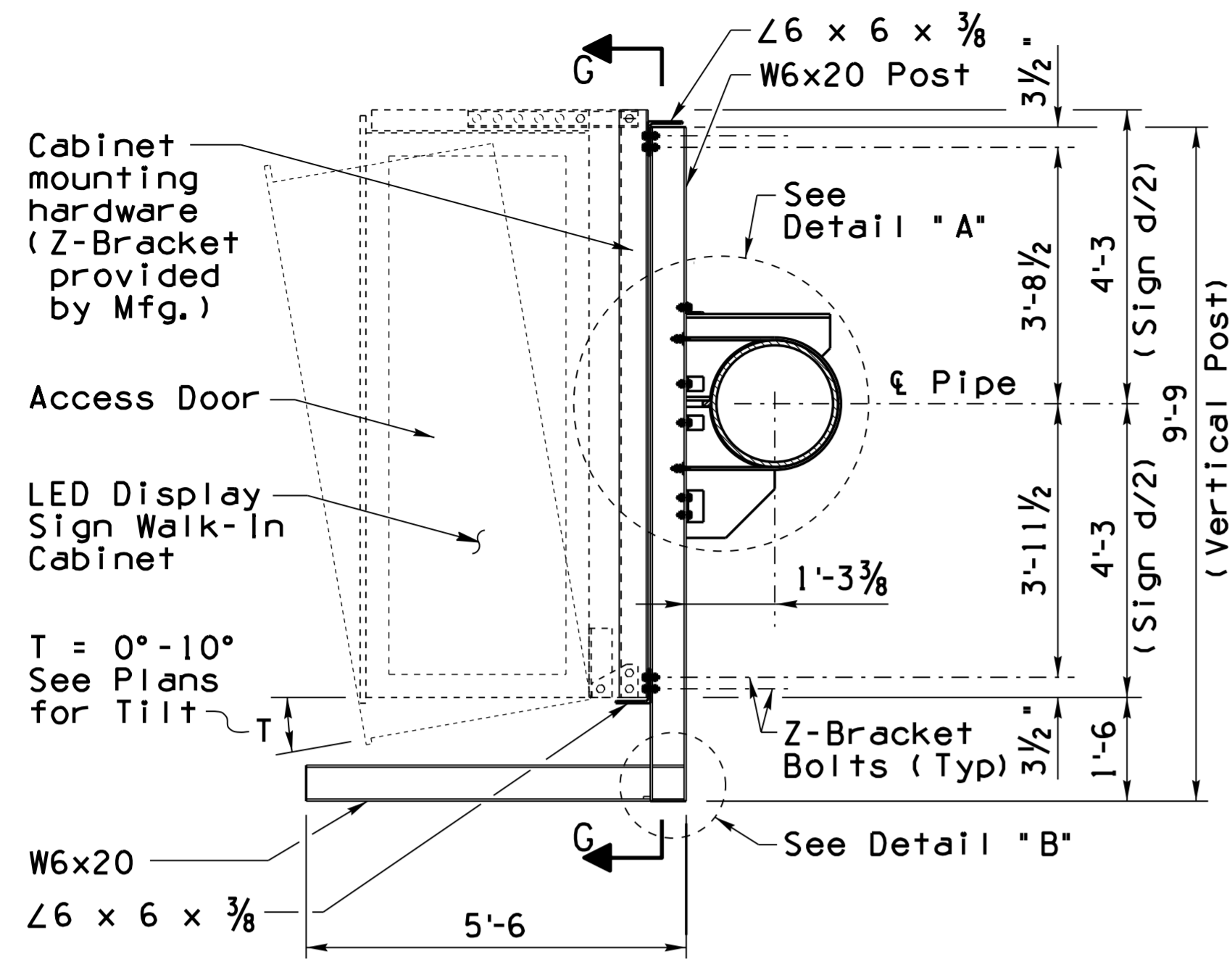
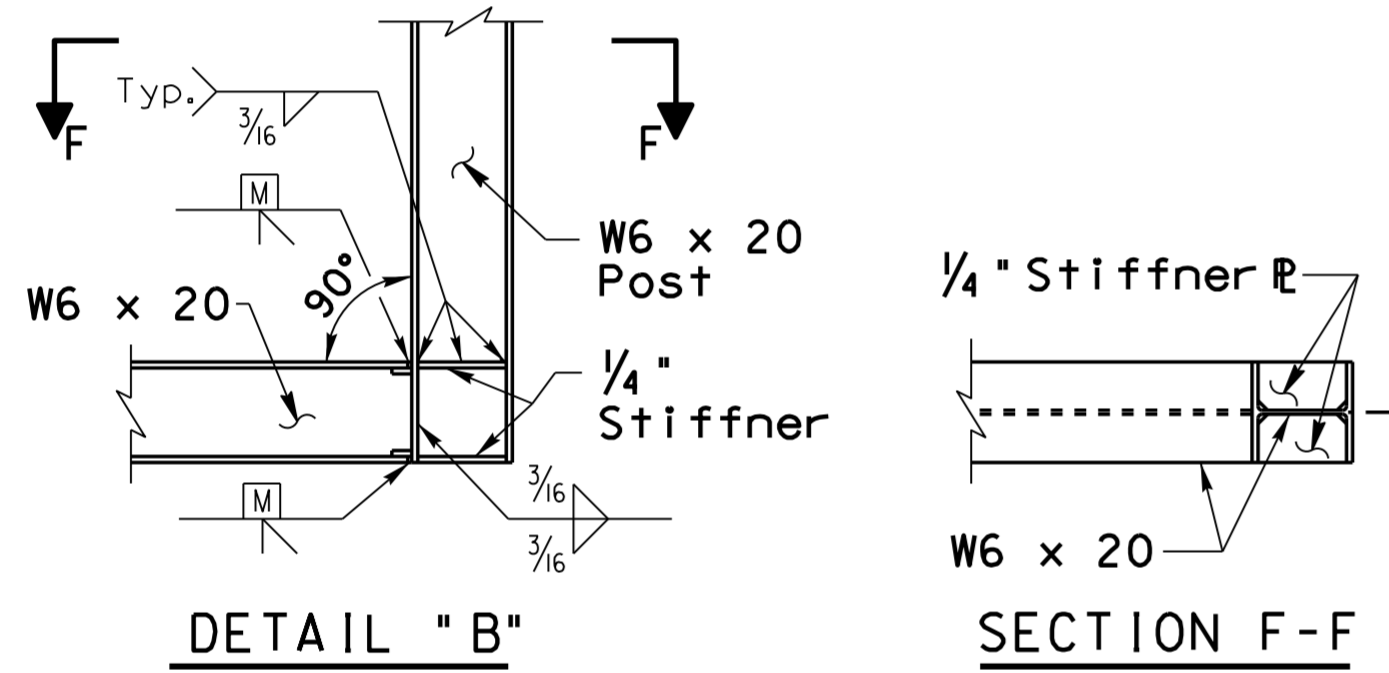


Note to Designer:
 The information presented in this Standard Detail has been prepared in accordance with recognized engineering principles and is for general use. It should not be used for specific application without competent professional examination and verification of its suitability and applicability by a licensed professional engineer. Contents within the inner border line shall not be altered.

NO.	DESCRIPTION OF REVISIONS	MADE BY	DATE
1	Original Issue	D.B.B.	1-15
2			
3			
4			

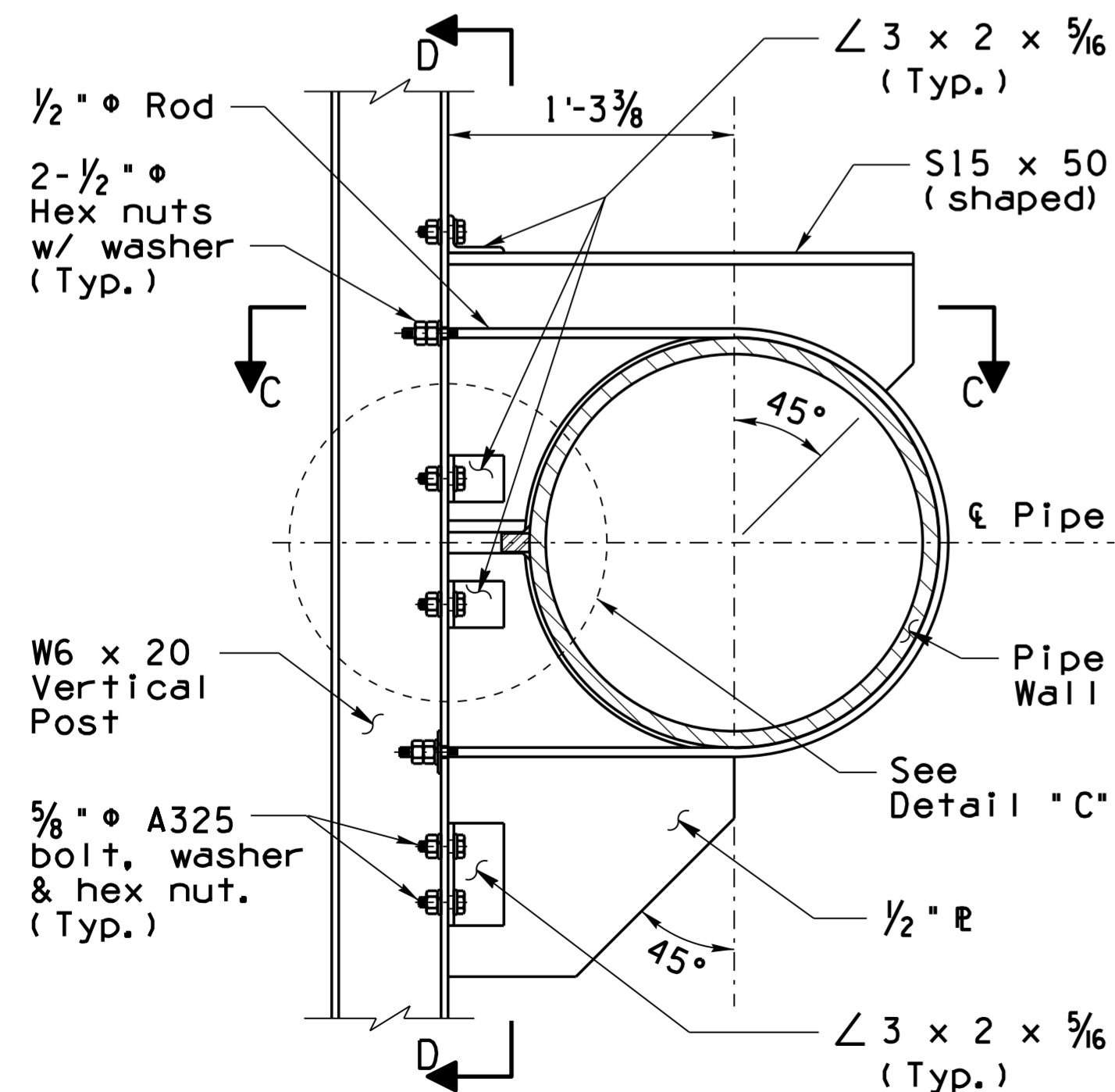


SECTION A-A

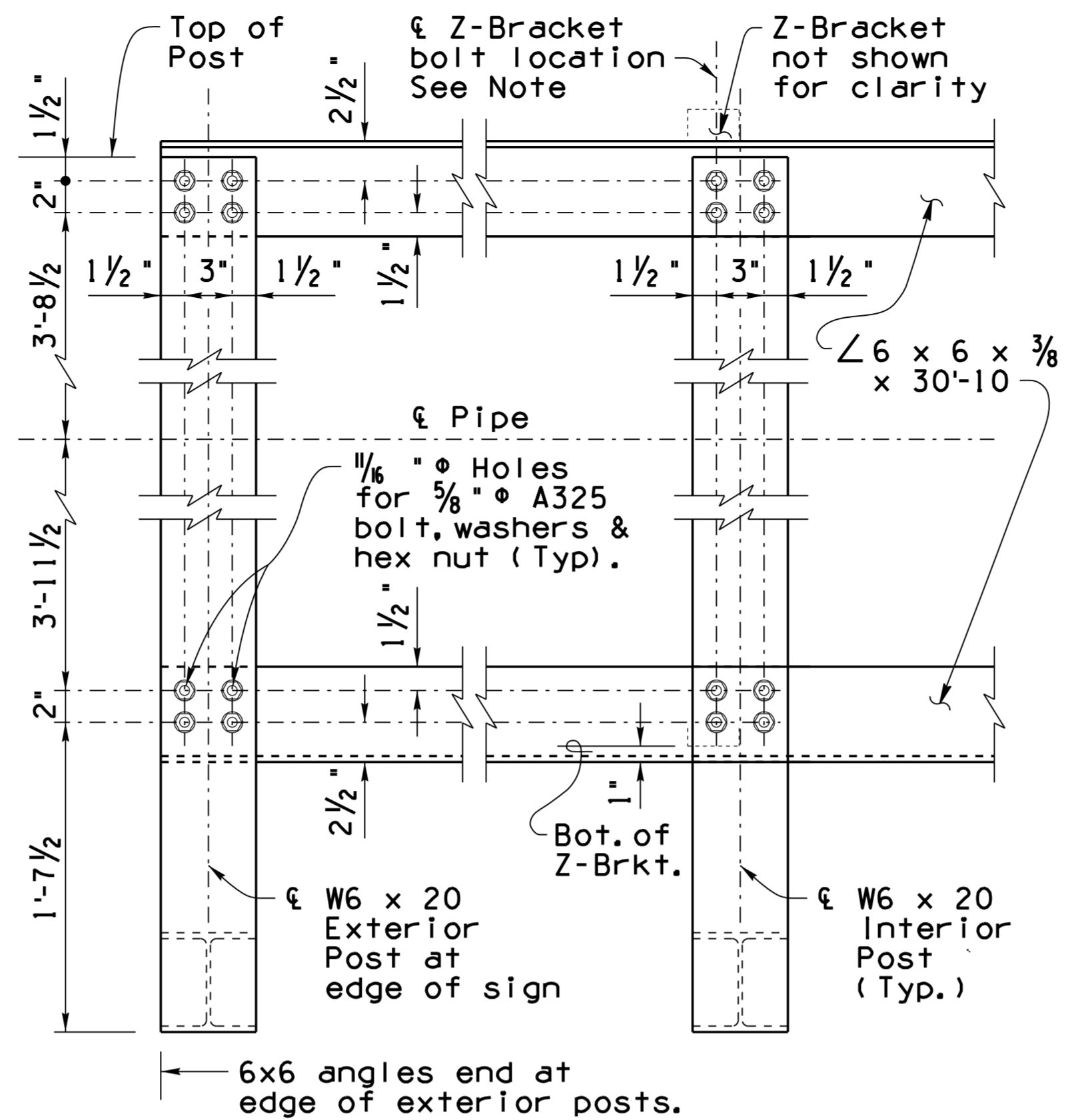


DETAIL "B"

SECTION F-F



DETAIL "A"



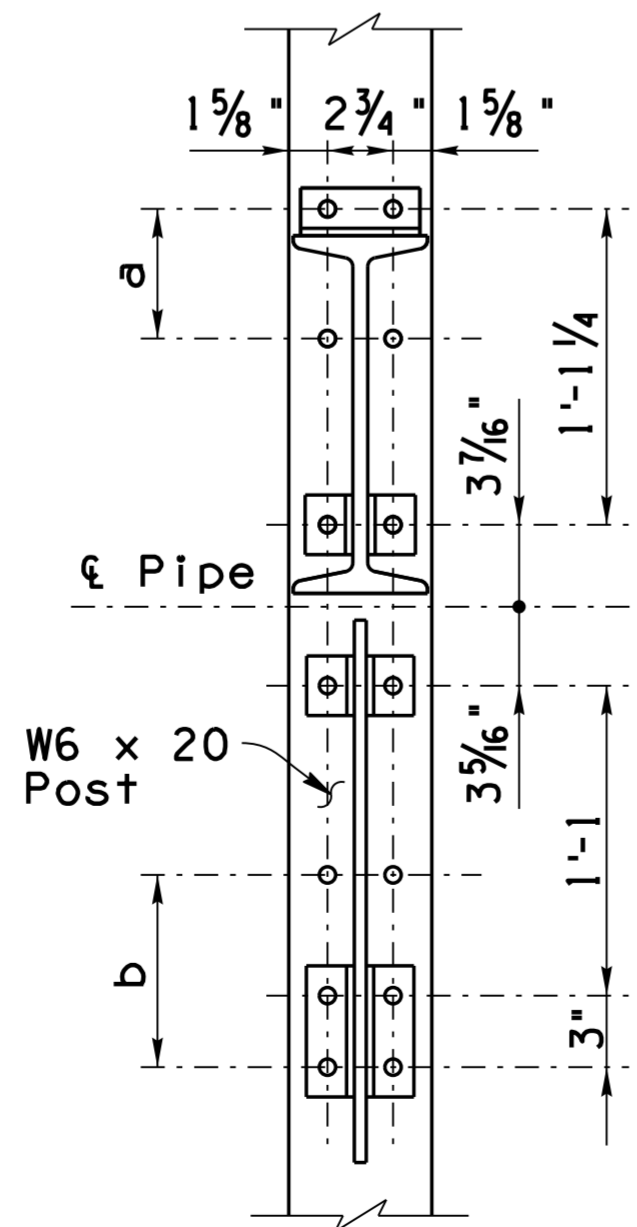
SECTION G-G

Z-BRACKET NOTE:
 Mirror Z-Bracket bolt locations about vertical ϵ of sign.

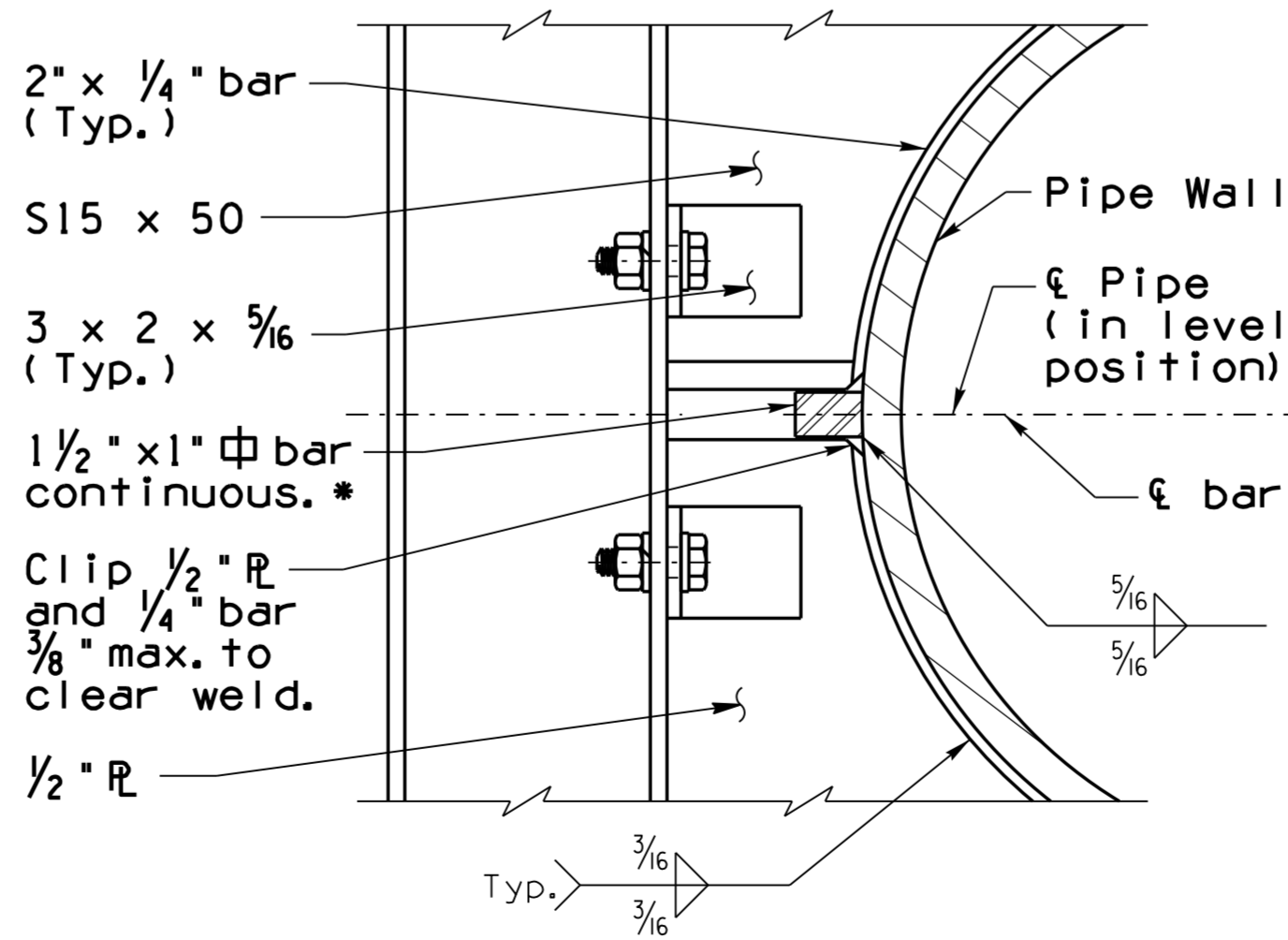
Fabricator shall verify hole locations in Z flange prior to drilling holes in W6x20 post.

Barrier Tape shall be used at any point of contact between aluminum Z-Mounting Brackets (provided by manufacturer) and Steel Sign Supports. Tape shall be submitted to the Engineer for approval.

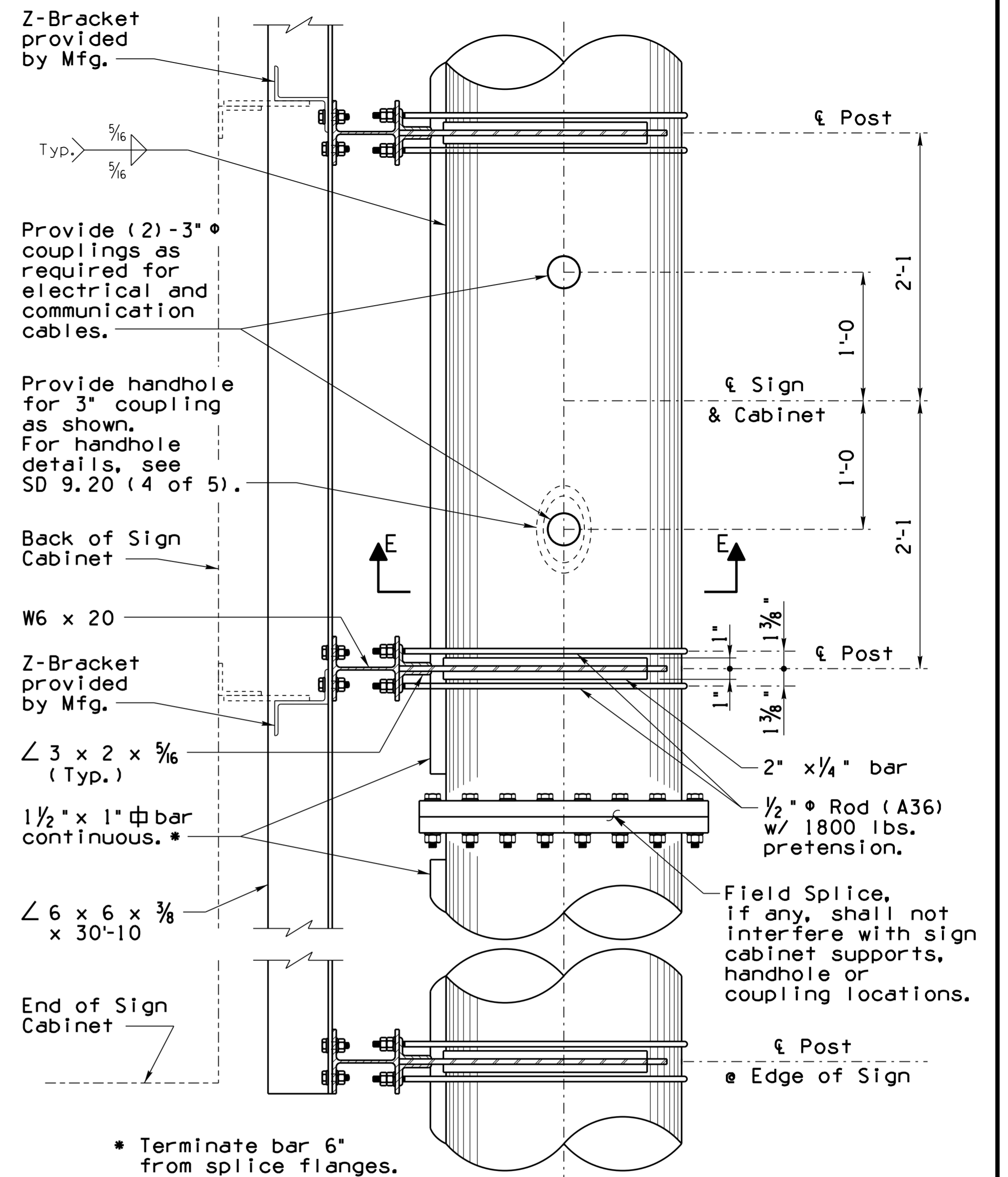
Frame Type	Nominal Pipe Dia.	a	b
2F	16"	8 7/16"	11 1/16"
3F	20"	6 7/16"	9 1/16"
4F	22"	5 7/16"	8 1/16"



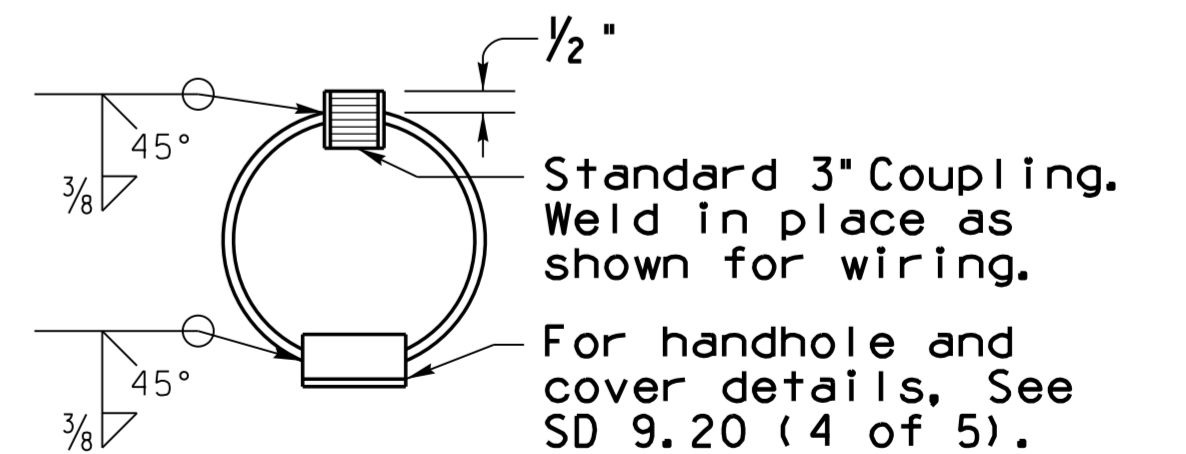
SECTION D-D



DETAIL "C"



SECTION C-C



SECTION E-E

DESIGN APPROVED <i>Celina Aman</i>		ARIZONA DEPARTMENT OF TRANSPORTATION INFRASTRUCTURE DELIVERY AND OPERATIONS DIVISION BRIDGE GROUP STRUCTURE DETAIL	
APPROVED FOR DISTRIBUTION <i>[Signature]</i>		DMS (VARIABLE TILT CABINET) TUBULAR FRAME MOUNTING DETAILS	
ROUTE	PROJECT NO.	FA NO.	DRAWING NO. SD 9.53 (2 of 5)
LOCATION			SHEET NO. OF