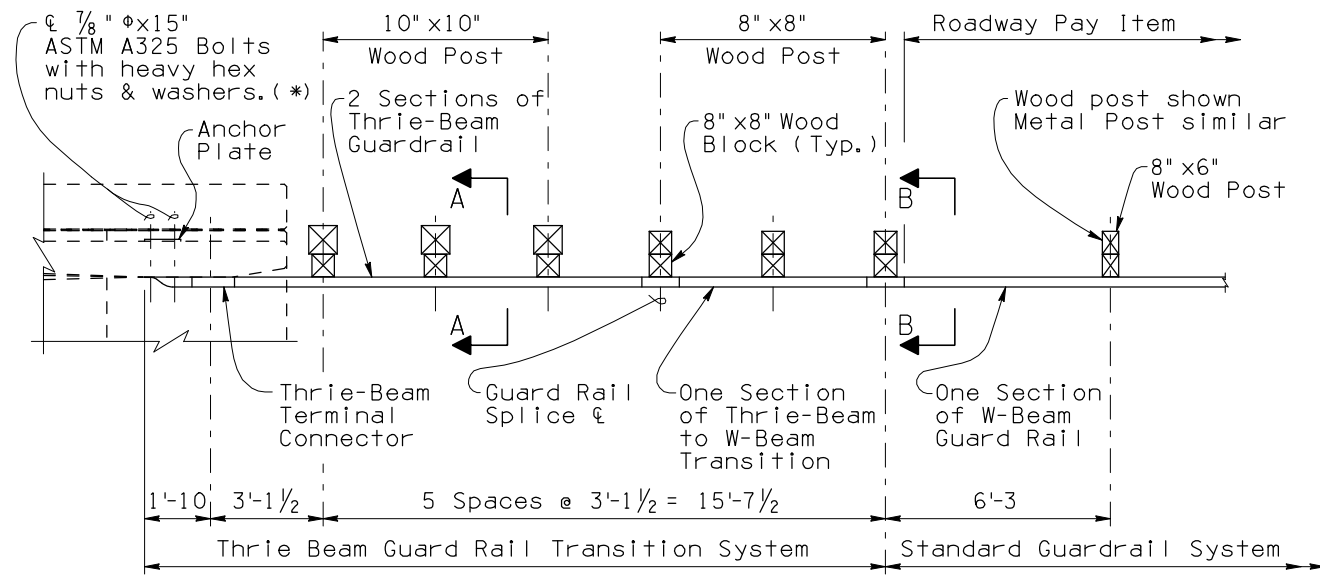
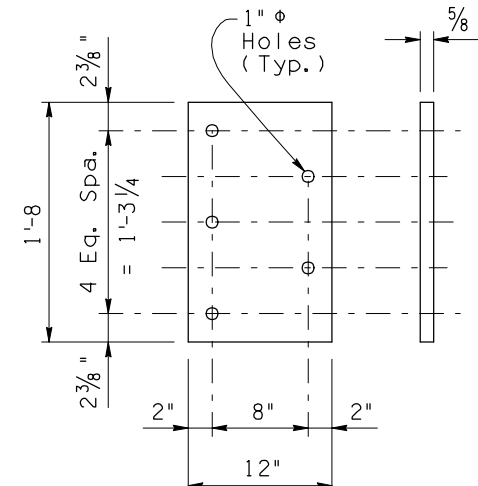


Note to Designer:
 The information presented in this Standard Detail has been prepared in accordance with recognized engineering principles and is for general use. It should not be used for specific application without competent professional examination and verification of its suitability and applicability by a licensed professional engineer. Contents within the inner border line shall not be altered.

NO.	DESCRIPTION OF REVISIONS	DATE
1	Original Issue	8-99
5	General Update	11-07
6		
7		



PLAN



ANCHOR PLATE

GENERAL NOTES:

Thrie Beam Transition Hardware provided is per AASHTO-AGC-ARTBA Joint Committee Task Force 13 Report.

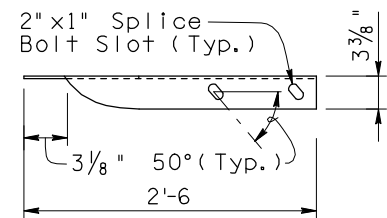
Structural steel shall conform to ASTM Specification A36 unless noted otherwise.

Anchor plates, terminal connectors and thrie beams shall be galvanized after fabrication in accordance with ASTM A123 unless noted otherwise. All bolts, nuts and washers shall be galvanized in accordance with the requirements of ASTM A153. At the contractors option, stainless steel bolts and washers may be used. They shall conform to or exceed the mechanical requirements of ASTM A325. Provide additional washers, as needed, for longer bolt length.

Overlap of the terminal connector, thrie beam, transition and guardrails shall be in the direction of the adjacent traffic lane.

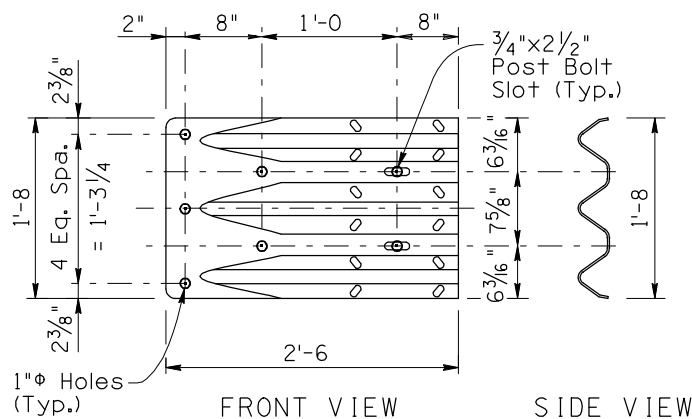
Dimensions shall not be scaled from drawings.

Item No. 9050430 THRIE BEAM GUARD RAIL TRANSITION SYSTEM
 Measure: Each



TOP VIEW

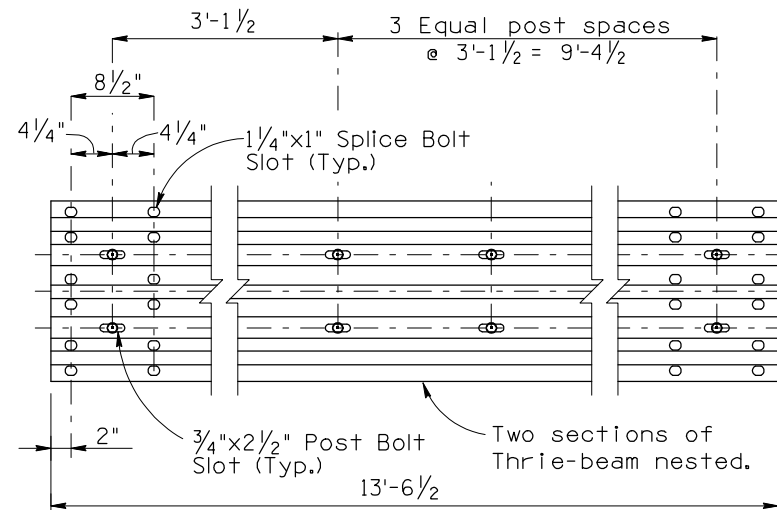
(*) 7/8" ϕ x 17" bolts for 42" F-Shape barrier transition.



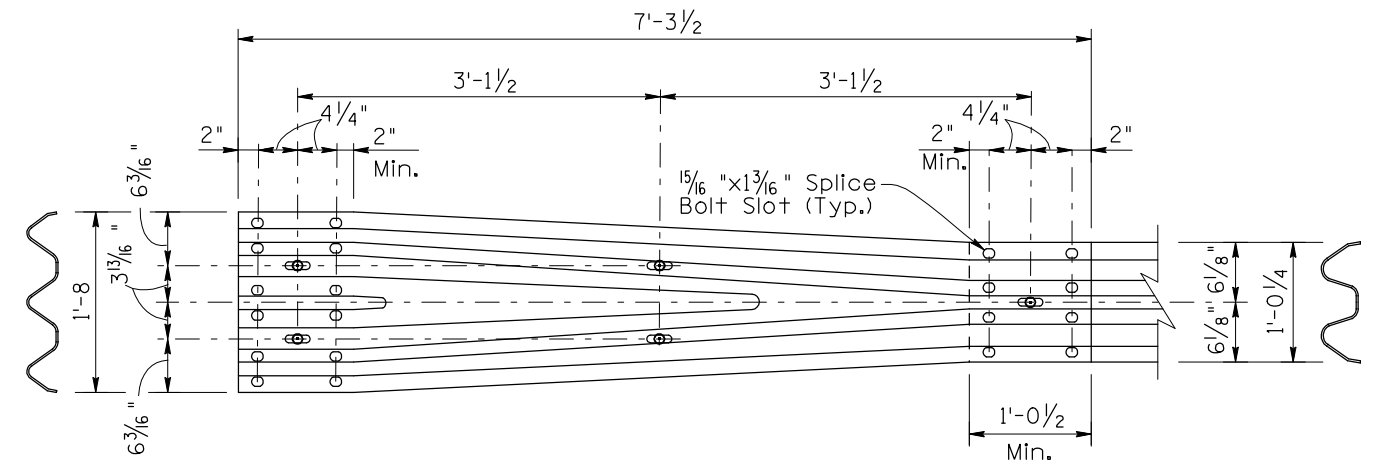
FRONT VIEW

SIDE VIEW

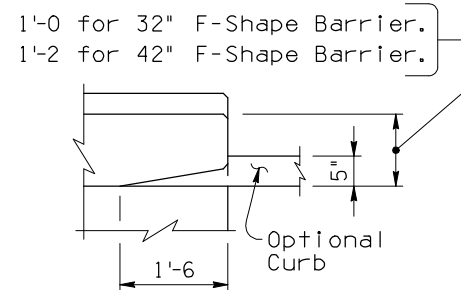
THRIE BEAM TERMINAL CONNECTOR



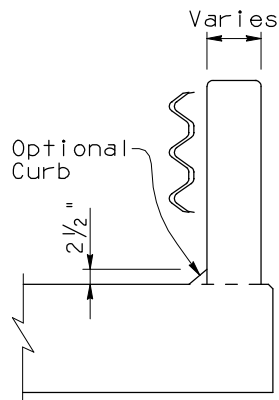
THRIE BEAM ELEVATION



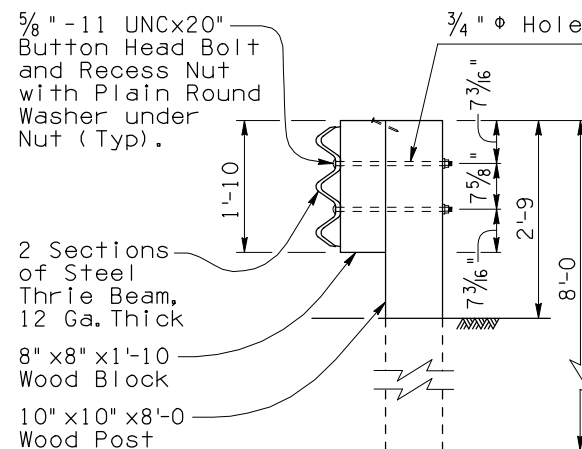
TRANSITION ELEVATION



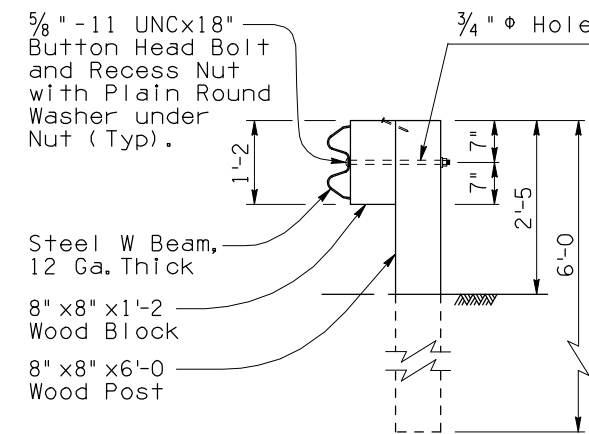
PART. PLAN
(Showing Opt. Curb)



END VIEW
(Showing Opt. Curb)



SECTION A-A



SECTION B-B

DESIGN APPROVED <i>Shafiq U. Hasan</i>		ARIZONA DEPARTMENT OF TRANSPORTATION INTERMODAL TRANSPORTATION DIVISION BRIDGE GROUP STRUCTURE DETAIL	
APPROVED FOR DISTRIBUTION <i>Tean A. Nehme</i>		THRIE BEAM GUARD RAIL TRANSITION SYSTEM	
ROUTE	PROJECT NO.	FA NO.	DRAWING NO. SD 1.03
LOCATION			SHEET NO. OF