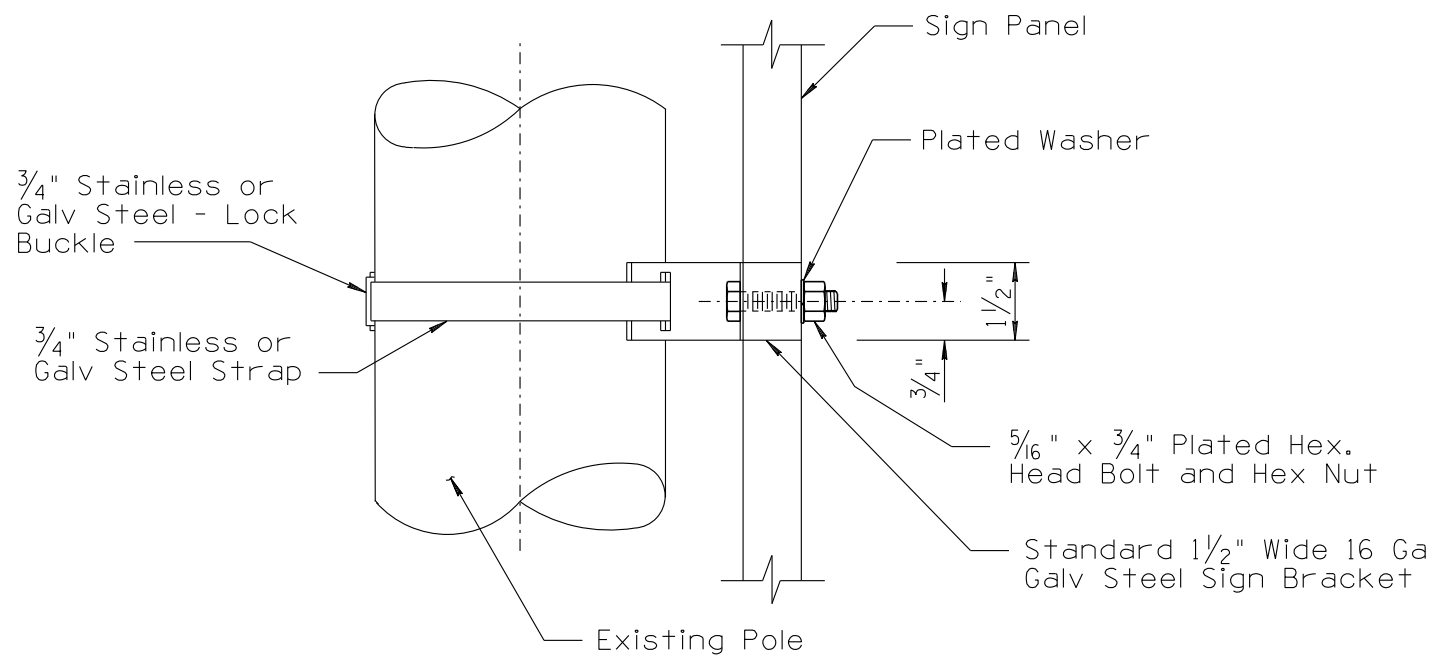
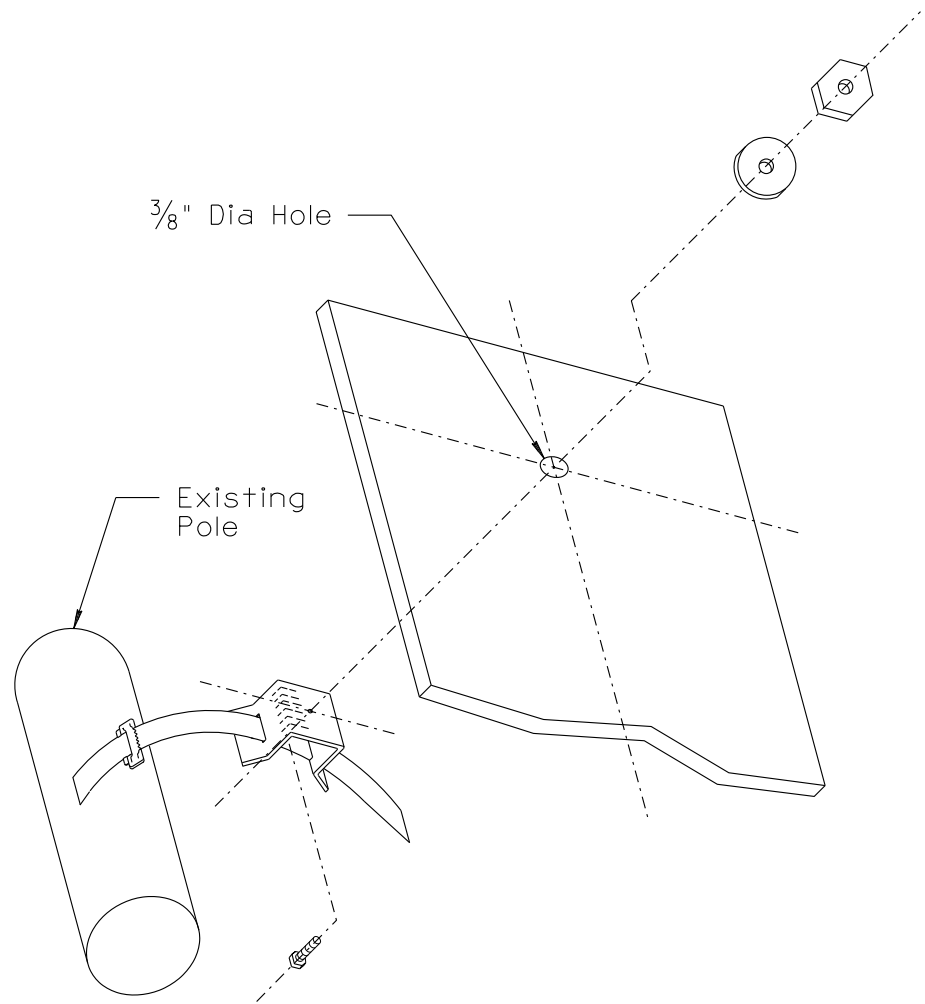
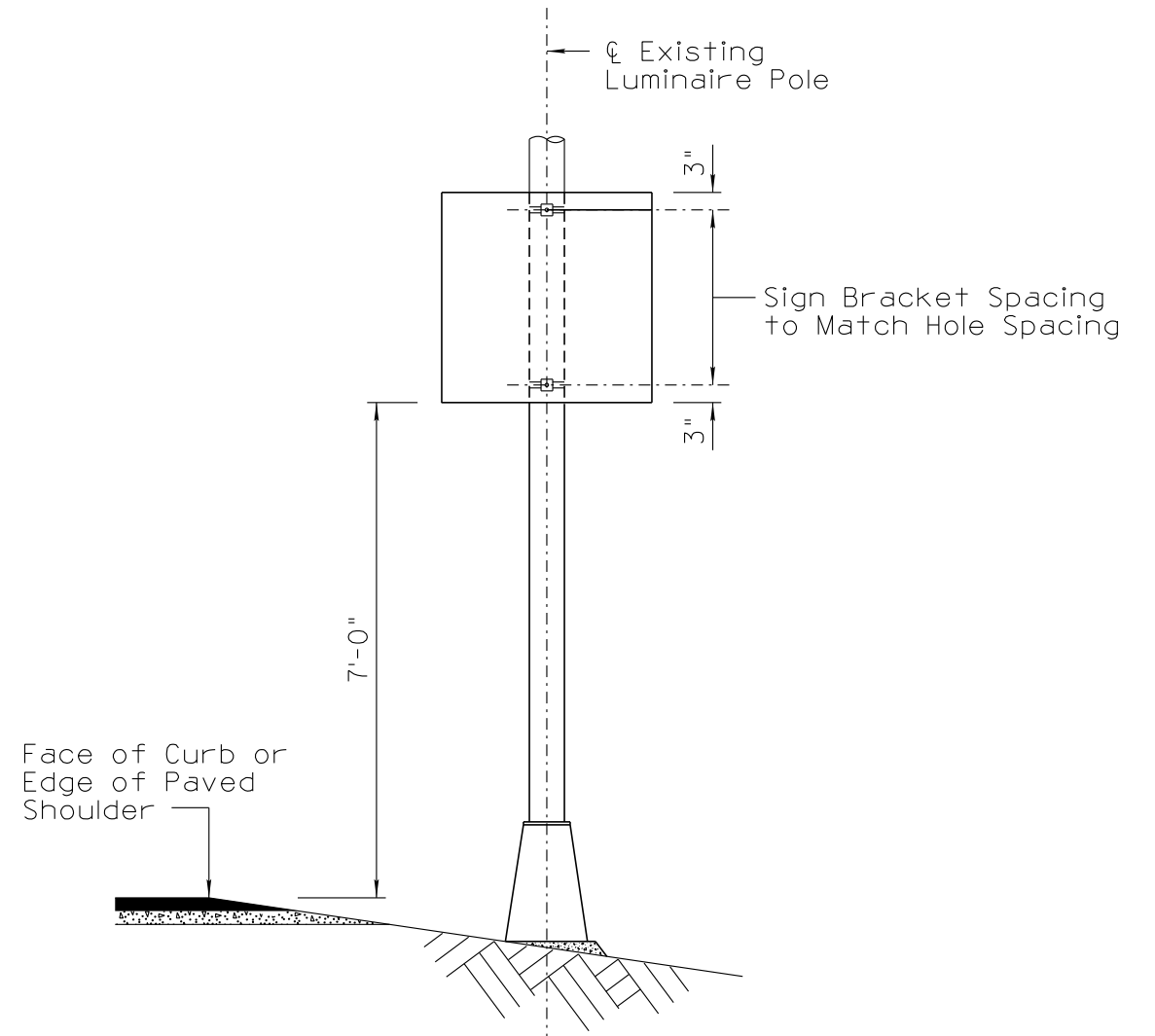


Note to Designer: The information presented in this Standard Drawing has been prepared in accordance with recognized engineering principles and is for general use. It should not be used for specific application without competent professional examination and verification of its suitability and applicability by a licensed professional engineer. Contents within the inner border line shall not be altered.

PRIOR DISTRIBUTION DATE 06/14



SIGN MOUNTING BRACKET INSTALLATION



TYPICAL INSTALLATION OF SIGN ON POLE

NOTE:

Band-type clamps shall only be used if the total area of signs mounted to the clamps is 6.25 square feet or less.

STANDARDS ENGINEER W. FABER	ARCHIVED
RECOMMENDED FOR APPROVAL GROUP MANAGER M. HANNA	
APPROVED	
STANDARDS COMMITTEE APPROVED FOR DISTRIBUTION	
	09/18 DATE

ARIZONA DEPARTMENT OF TRANSPORTATION
INFRASTRUCTURE DELIVERY AND OPERATIONS DIVISION
TRAFFIC SIGNING & MARKING
STANDARD DRAWING

SIGN INSTALLATION
ON POLE
BAND-TYPE CLAMP

DRAWING NO.
S-9
3 of 3