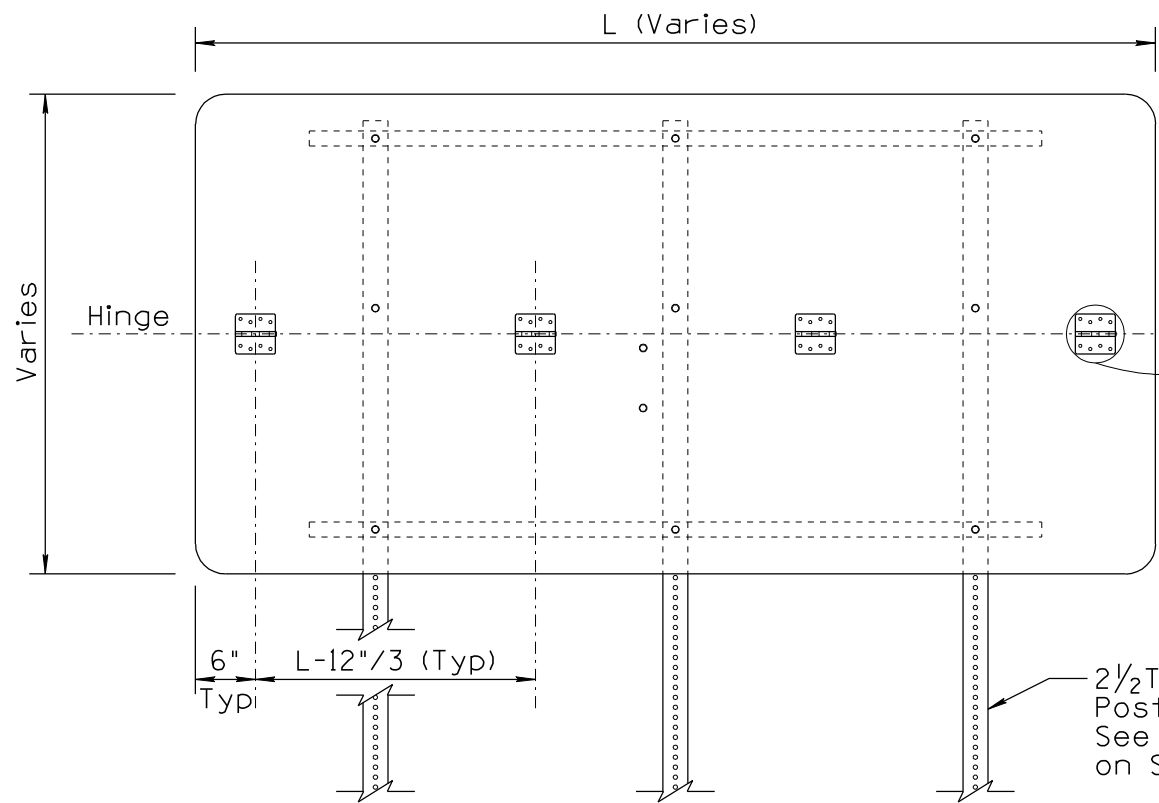
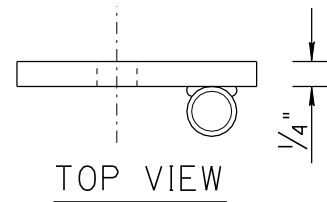


NO	DESCRIPTION OF REVISIONS	DATE	MADE BY
1	ORIGINAL ISSUE	4/07	L. LOPEZ
2	REVISED DRAWING, CHANGED TEXT CASE, UPDATED BORDER.	6/14	L. LOPEZ

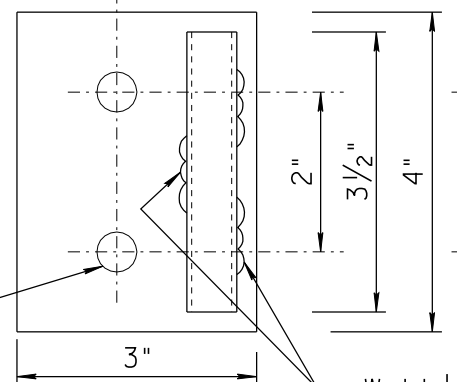


FRONT ELEVATION

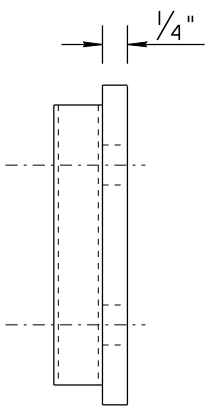
4"x4" Galvanized Hinge, Riveted to Panel With Hinge Pin Facing Out. Cover With Retro-reflective Sheeting.



TOP VIEW



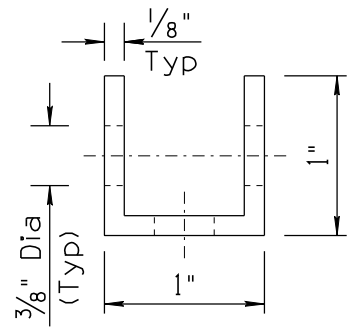
FRONT VIEW



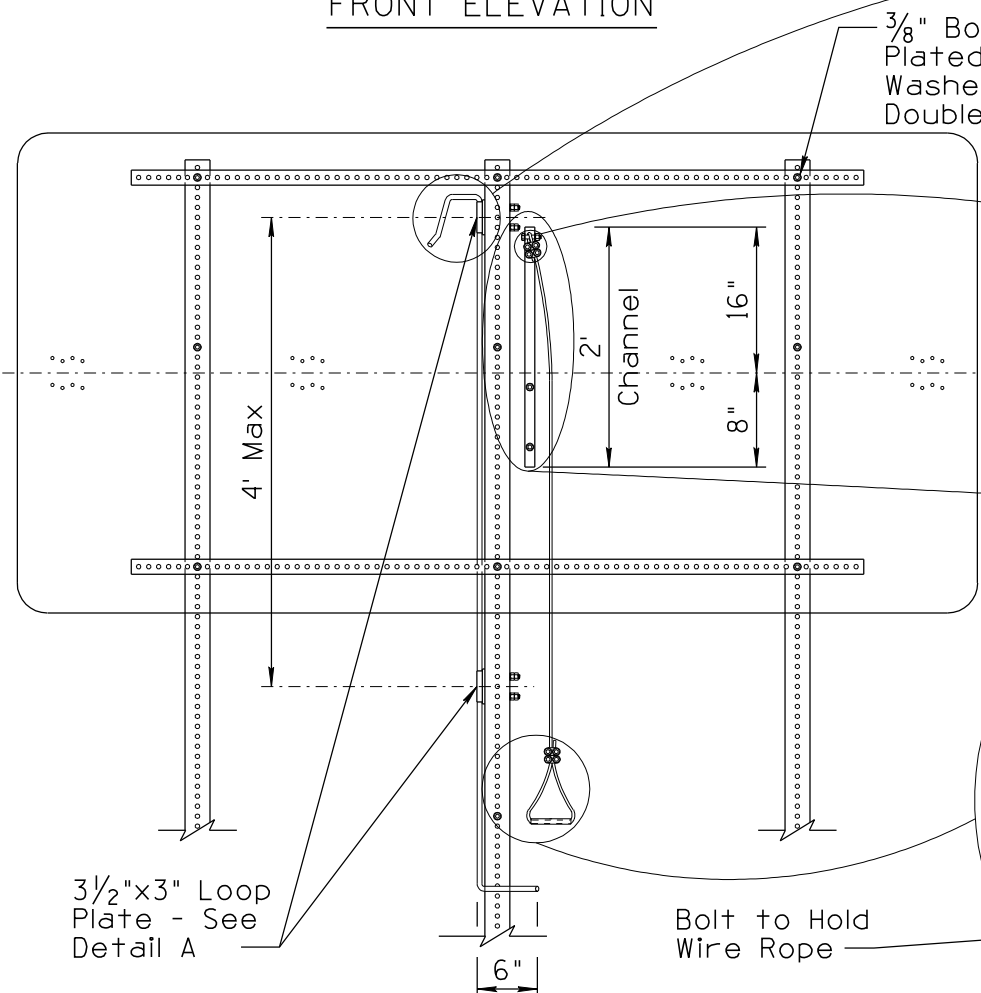
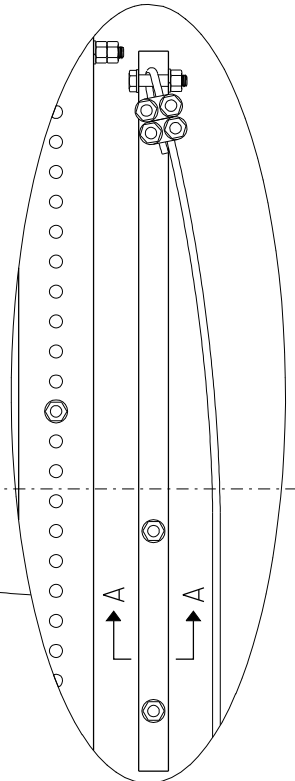
SIDE VIEW

Weld 1/8" Thick, 5/8" Dia (Inside) Cylinder to 1/4" Plate. Galvanize When Assembled

DETAIL A LOOP PLATE



SECTION A-A



REAR ELEVATION

2 1/2 T Sign Post (Typ) See Note #1 on Sheet 2

3/8" Bolts (Typ) Plated with Plated Washers and Double Nuts

3 1/2" ±

1/2" Dia Hole (Typ)

1/2" Cold Roll Hook Bar, Length Varies

Cable Clamps (2); Overlap Cable 2" Min (Typ)

1/4" Rubber Coated Wire Rope, Length Varies

4" (Min) Aluminum Cylinder, 1/8" Thick, 3/8" Dia (Inside)

1"x1"x1"x24" SQUARE OR U-SHAPED ALUMINUM CHANNEL

SHEET 1 OF 3
NOT TO SCALE

DESIGN APPROVED	SIGNATURES
APPROVED FOR DISTRIBUTION	
ON FILE	

ARIZONA DEPARTMENT OF TRANSPORTATION INTERMODAL TRANSPORTATION DIVISION TRAFFIC SIGNING & MARKING STANDARD DRAWINGS
FOLDING RECTANGULAR SIGN ASSEMBLY

REVISION	6/14
DRAWING NO.	S-15
SHEET NO.	1 of 3